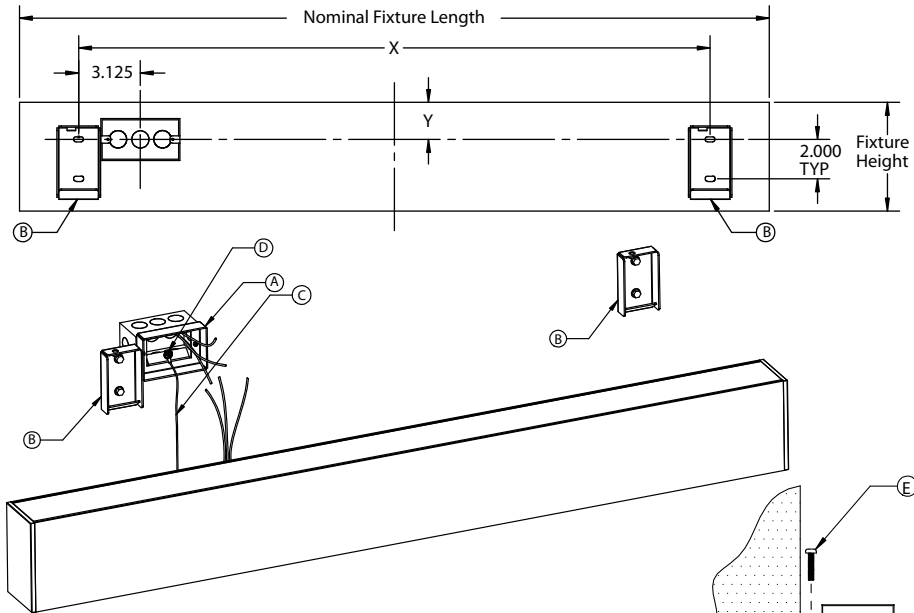


**INSTRUCTION SHEET**

WMB (Wall Mount Bracket)

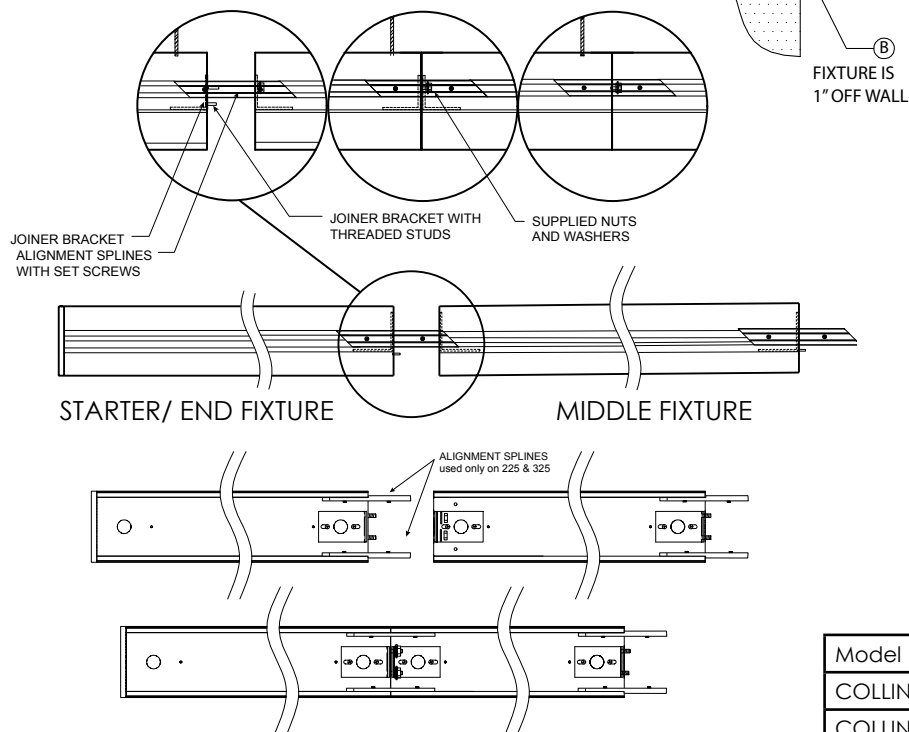


1. Install 2" x 4" single gang junction box in orientation shown. Note: if mounting fixture to studs, ensure center of stud is 3.125" to center of junction box.
2. Install junction box extension (A) on junction box.
3. Install wall brackets (B) as shown using suitable 1/4" lag bolts or hollow wall anchors. Note: Left wall bracket (B) should rest against junction box extension (A). See table for dimension "X".
4. Install safety cable (C) and nut (D). Note: completely tighten nut (D) and back off 1/4 turn. Safety cable (C) must be free to swivel.
5. Make wire connections using wire nuts.
6. Hang fixture on wall brackets (B).
7. Install supplied screws (E).

**For Continuous Run**

1. Install next fixture in run, by installing brackets according to table below so that open end of fixture will butt up flush with open end of adjacent fixture
2. Slide open end of fixture over adjacent fixture's continuous run bracket studs and alignment splines.
3. Secure with supplied washers and nuts (Note: the internal "L" bracket should be set back approximately 1/16" from the edge of the fixture - they can be adjusted if necessary).
4. Tighten set screws on housing aligner.
5. Connect the pinch brackets together by tightening nuts, pulling fixtures together.
6. Thru wire with appropriate gauge wire
7. Continue installation with all other fixtures.

**Continuous Run Connection**



Nominal Fixture Length	X
2'	16"
3'	24"
4'	32"
6'	54"
8'	80"

Model	Fixture Height	Y
COLLIN 225	5.125"	1.625"
COLLIN 325	5.5"	1.875"

**Note:** To be installed by a qualified electrician per N.E.C. and all local codes.

**820-00070**  
V-0717