

CSS-P Installation Instructions

For Use With KELSEY 125, NOLAN 125 & HAILEY 125 with CSS-P (Powered, Cable Suspension System)

⚠ WARNING
Risk of electrical shock. Disconnect power before servicing or installing luminaire.

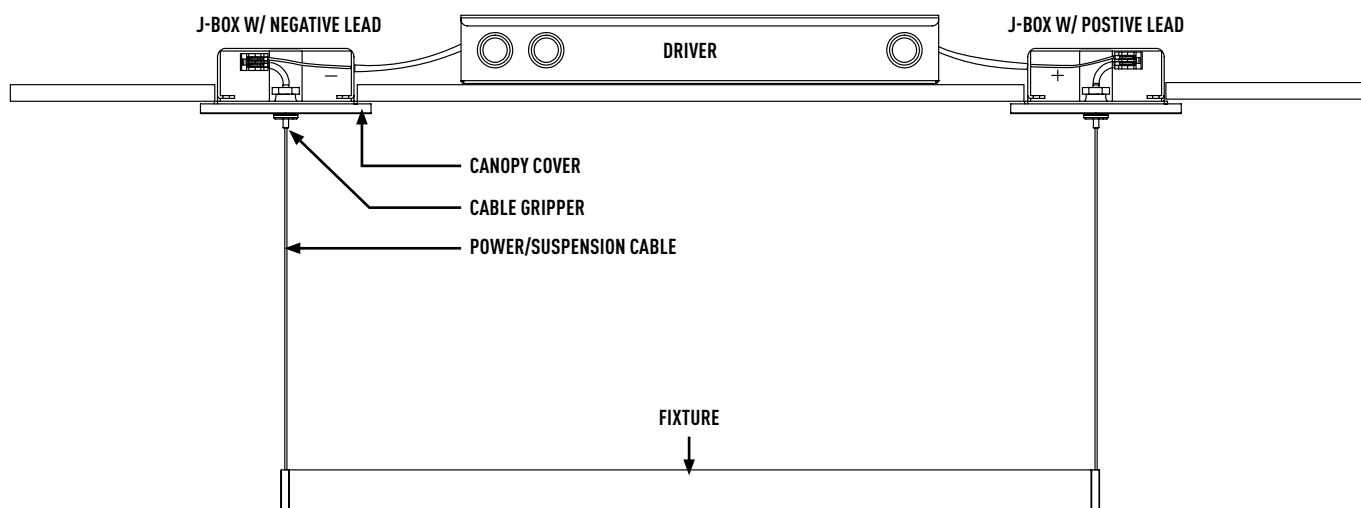
⚠ WARNING
Risk of injury or damage. Luminaire will fail if not installed properly. Follow installation instructions.

⚠ WARNING
Risk of injury. Wear safety glasses and gloves during installation and servicing. Allow ample time to cool before handling.

IMPORTANT SAFETY INSTRUCTIONS

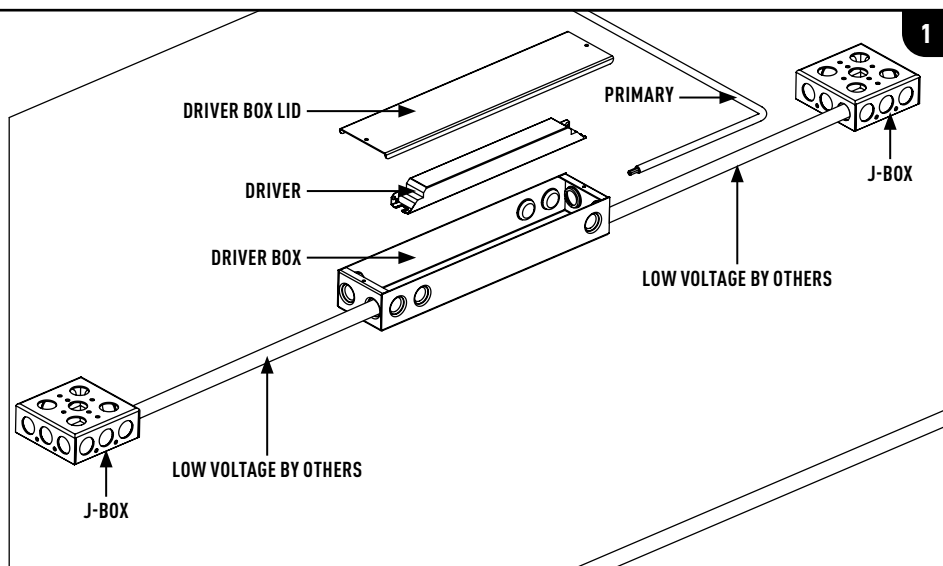
- Read all installation instructions before installing. It is important to save these instructions.
- Only install and connect LED module/boards with power disconnected at the circuit breaker. Hot plugging, or connecting the LED module/board with power on, could damage the LEDs and is not covered by warranty.
- Connectors on modules/boards and approved housings are keyed for specific voltage combinations; do not force or attempt to bypass connectors.
- Observe and follow all label information and instructions regarding dry, damp and wet location listings, proper Intense LED module, warnings of installation near combustible materials and/or insulation.
- Turn off power at circuit breaker before attempting to install or perform maintenance on the fixtures.
- Be sure to connect ground wire to prevent electric shock or other potential hazards.
- The product must be installed in a manner consistent with the intended use and in compliance with the national electrical codes and local codes by a person familiar with the construction and operation of the product and the hazards involved.
- Do not block the trim aperture as this may cause unsafe operating conditions.
- **WARNING: RISK OF FIRE.** Non-IC fixture requires that insulation must be kept at least 3" away from all sides of the fixture. Minimum of 90°C supply conductors. Consult a qualified electrician before installation.

TYPICAL POWRED, CABLE SUSPENSION SYSTEM (CSS-P) RUN



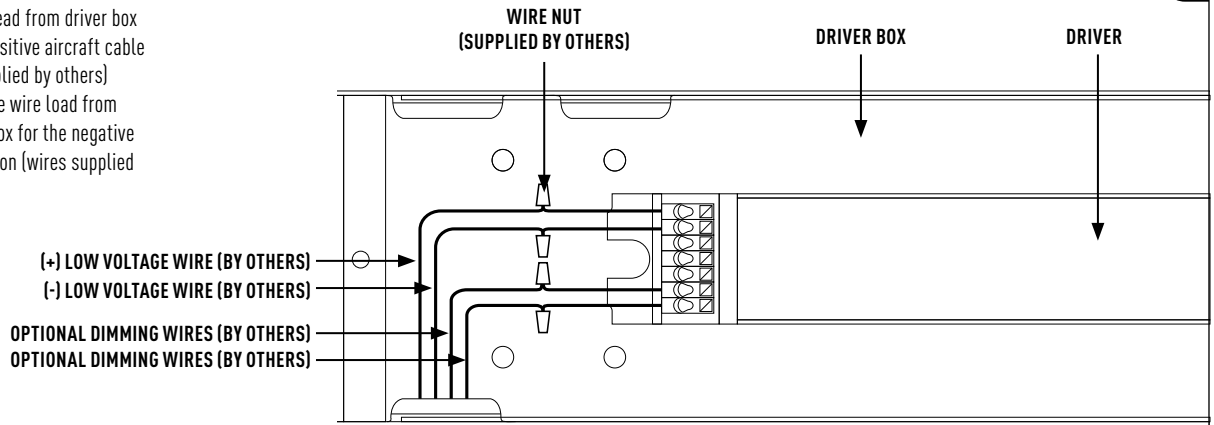
POWER FEED / J-BOX SETUP

1. See Appropriate Stand-Alone matrix for correct J-Box (by others) spacing
2. Mount/Secure driver box
3. Mount/Secure 4S (4" square ceiling box) and 3/O (3" square to round) Mud Ring (by others)
4. Bring power into driver box using appropriate strain relief. Complete wire makeup of incoming power/controls to provided wire leads inside driver box. Ensure driver box is properly grounded



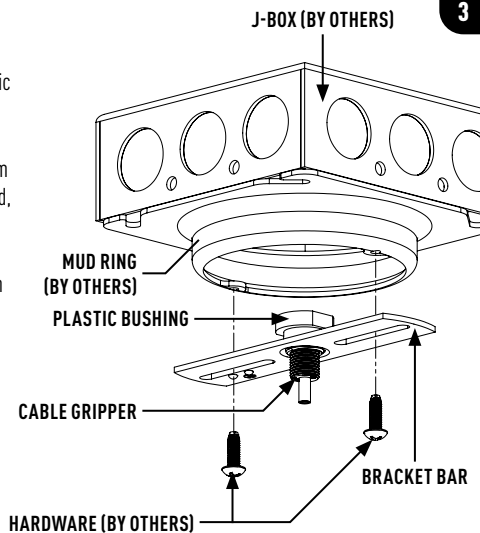
LOW VOLTAGE DRIVER WIRING:

1. Run low voltage wire lead from driver box to one J-Box for the positive aircraft cable connection (wires supplied by others)
2. Run second low voltage wire lead from driver box to other J-Box for the negative aircraft cable connection (wires supplied by others)



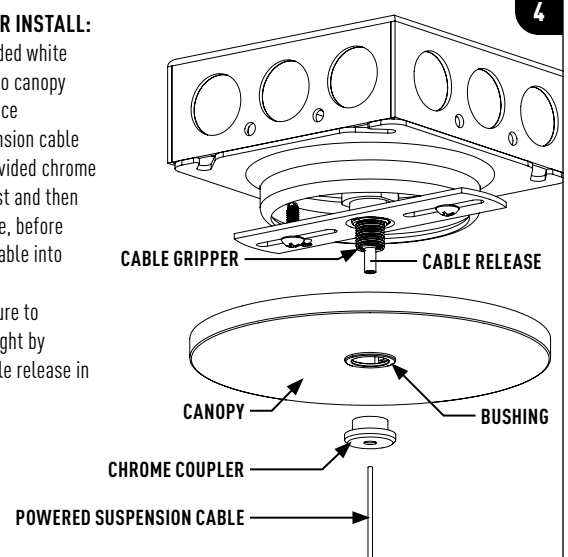
CABLE GRIPPER ASSEMBLY:

1. Screw provided plastic bushing and then screw cable gripper into bracket bars from the top into the raised, threaded flange.
2. Secure bracket bars to each mud ring with appropriate hardware (by others)



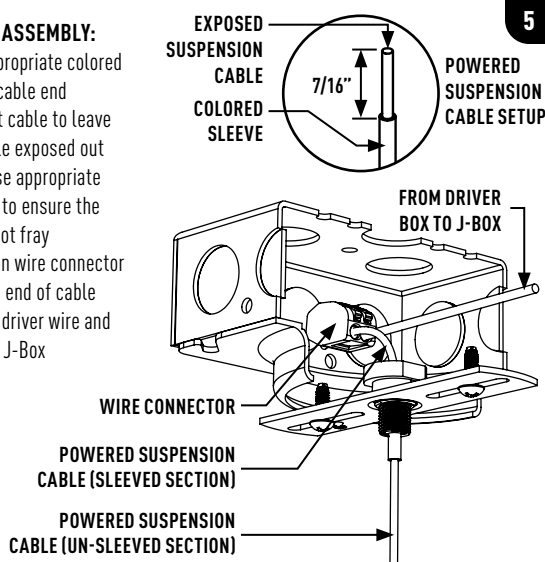
CANOPY COVER INSTALL:

1. Snap provided white bushing into canopy from the face
2. Run suspension cable through provided chrome coupler first and then canopy hole, before inserting cable into gripper.
3. Adjust fixture to desired height by pushing cable release in



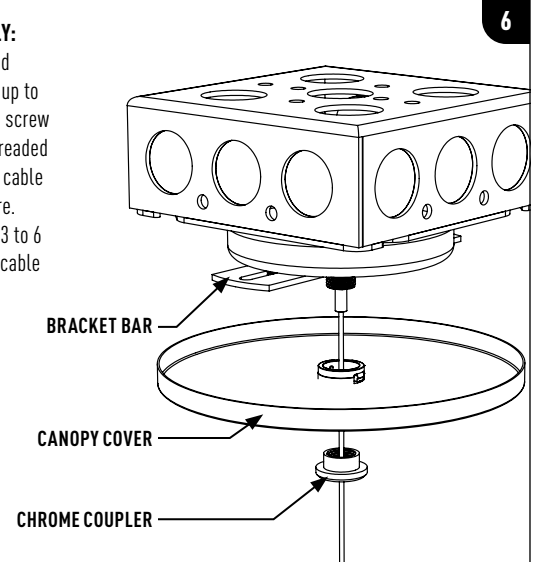
POWER CABLE ASSEMBLY:

1. Slide the appropriate colored sleeve over cable end
2. Carefully cut cable to leave 7/16" of cable exposed out of sleeve. Use appropriate cable cutter to ensure the cable does not fray
3. Attach clip on wire connector (provided) to end of cable and positive driver wire and push up into J-Box



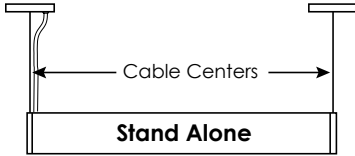
CANOPY ASSEMBLY:

1. Slide canopy and canopy coupler up to bracket bar and screw coupler onto threaded bushing around cable gripper to secure.
2. Repeat section 3 to 6 for negative (-) cable setup



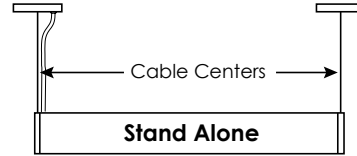
Stand Alone Cable Centers & Overall Length

HAILEY 125 W/ CSS-P



Fixture Length	Cable Center (In)	Overall Length (In)
2'	24.625"	24.875"
3'	36.625"	36.875"
4'	48.625"	48.875"

KELSEY/NOLAN 125 W/ CSS-P



Fixture Length	Cable Center (In)	Overall Length (In)
2'	24.625"	24.875"
3'	36.625"	36.875"
4'	48.625"	48.875"
5'	60.625"	60.875"
6'	72.625"	72.875"
7'	84.688"	84.938"
8'	96.688"	96.938"