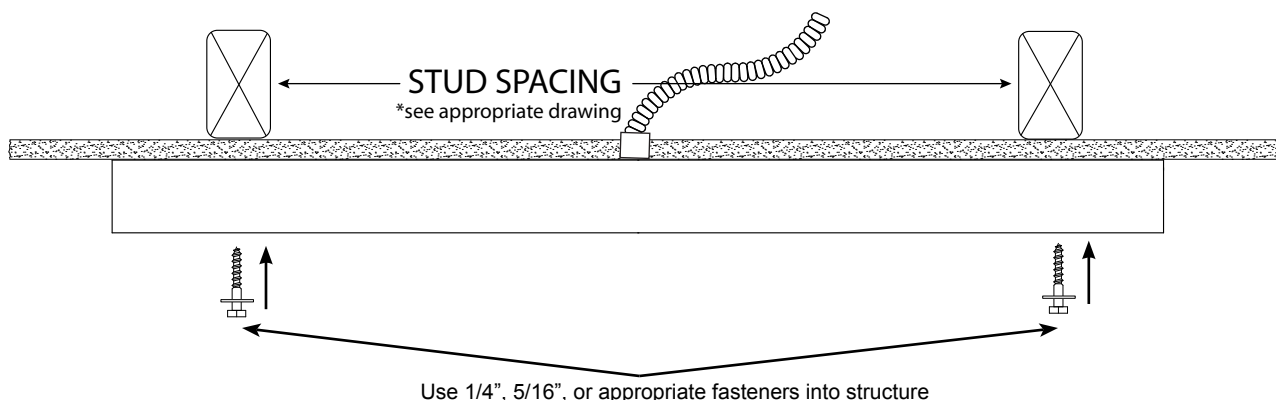
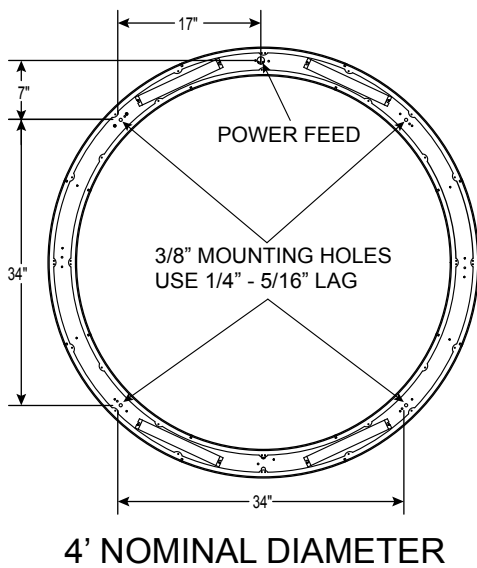
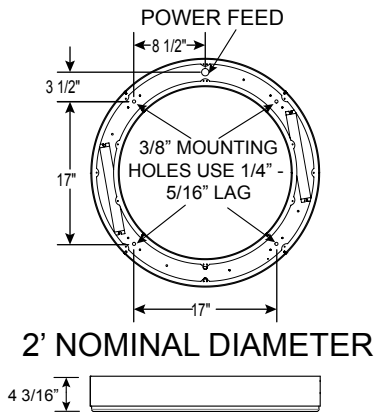


INSTRUCTION SHEET

SM - Surface Mount



1. See appropriate Stand Alone drawing for mounting locations.
2. Remove led liners and disconnect quick disconnects, and set aside.
3. Bring conduit fitting for trade size 1/2" KO out of mounting surface into the fixture through the power feed hole specified in the drawing.
4. Complete wire make-up.
5. Use 1/4" or 5/16" lag screws with washer to attach fixture to structure through mounting holes specified on drawing.
6. Reinstall led liners.
7. Install by grasping the fixture with one hand and rotating the lens clockwise with the other hand until it "clicks". Once this occurs lens will float slightly but cannot fall out.

- Servicing is while fixture is mounted:**
1. Grasp the fixture with one hand and rotate the lens counterclockwise with the other hand until it "clicks". The lens will now drop free.
 2. Remove the led liners to access the driver compartment.

Note: To be installed by a qualified electrician per N.E.C. and all local codes.

820-00126
V-0215