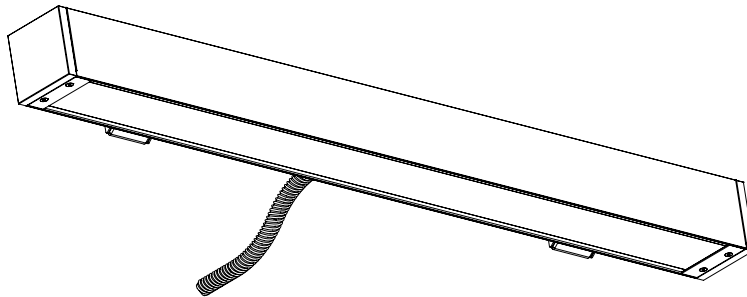
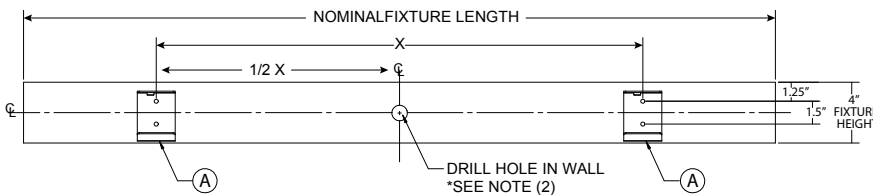


INSTRUCTION SHEET

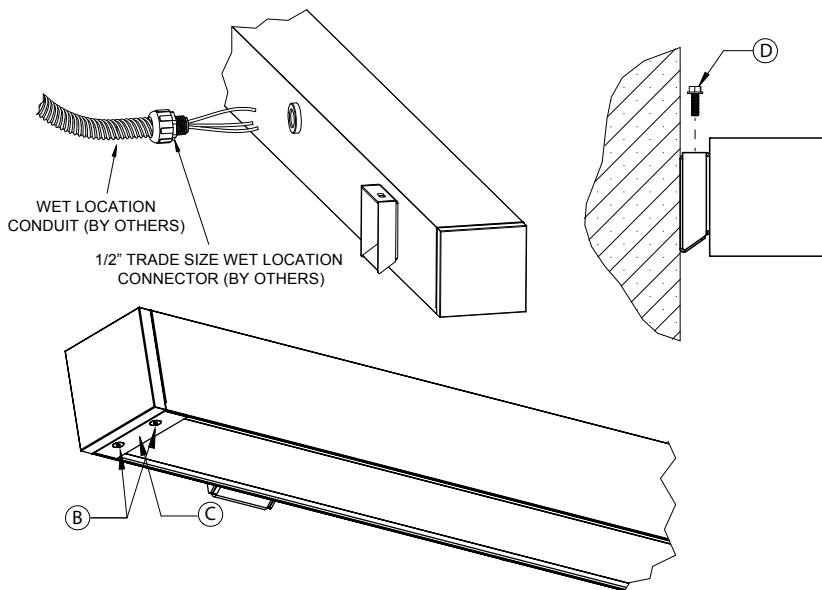
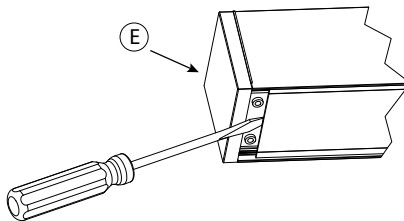
Standard Feed - STND



BRACKET MOUNTING CENTERS



NOMINAL FIXTURE LENGTH	X
2'	16"
3'	24"
4'	32"



Mounting

1. Install wall brackets (A) as shown using 1/4" bolts (by others) suitable for intended surface.
 2. Drill hole in wall as shown for flex conduit. **Note:** size of hole depends on size of conduit connector and must be large enough to allow conduit connector to protrude into wall and allow fixture to tilt as it is hung on wall brackets.
 3. Loosen captive screws (B) and remove end plates (C) from both ends.
 4. Remove reflector/liner
 5. Connect 1/2" flex conduit to fixture. **Note:** for wet locations flex conduit must be liquid tight and pipe thread sealant or teflon tape must be used on threads.
 6. Hang fixture on wall brackets (A) and install supplied screws (D).
 7. Make wire connections inside fixture.
 8. Reinstall reflector/liner.
 10. Install lens. **Note:** firmly press along entire length of lens to ensure a good seal.
 11. Reinstall both end plates (C).
 12. Seal hole around conduit connector with silicone, caulking or wall patch.
- note:** To remove lens, lift from end using a flat blade screw driver(E) to pry loose. **Note:** take care not to damage lens or gasket.

Continuous run, provide for 1/8" between fixtures.

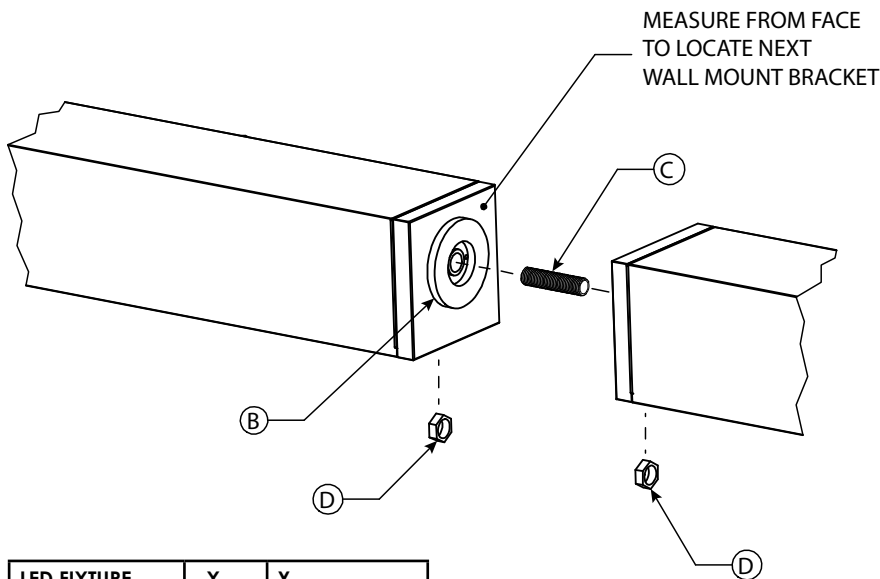
Note: To be installed by a qualified electrician per N.E.C. and all local codes.

820-00031

V-0520

INSTRUCTION SHEET

STND, EF, and JBE



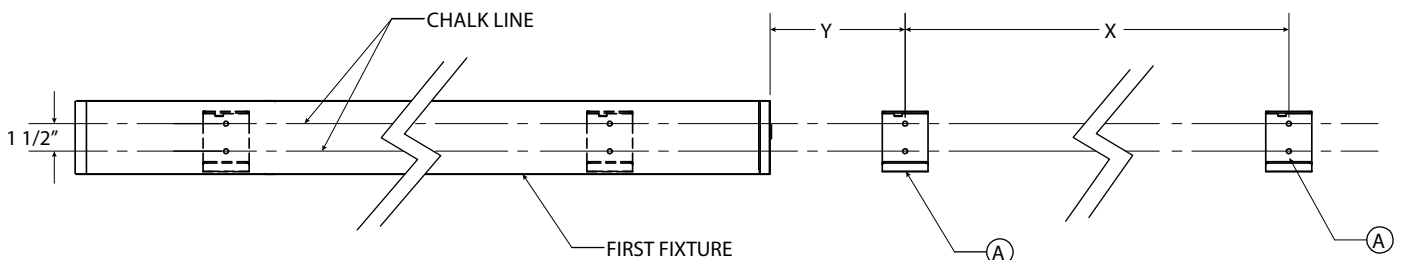
LED FIXTURE	X	Y
2'	16"	9 1/16"
3'	24"	9 1/16"
4'	32"	9 1/16"

Mounting

1. Mark 2 chalk lines as shown. Lengths should be as long as the entire continuous run length.
2. Install first fixture using accompanying installation instructions. Note: first fixture will have main power feed.
3. Measure from face of end cap to locate wall mount brackets (A) and install as shown.
4. Peel and stick gasket (B) to first fixture as shown.
5. Mount second fixture on wall brackets (A).
6. Install coupling (C) between first and second fixture and secure with locknuts (D).
7. Pull wire (by others) thru coupling and make connections.
8. Install additional fixtures as required

note: To remove lens, lift from end using a flat blade screw driver(E) to pry loose. *Note:* take care not to damage lens or gasket.

Continuous run, provide for 1/8" between fixtures.



Note: To be installed by a qualified electrician per N.E.C. and all local codes.

820-00119
V-0520