

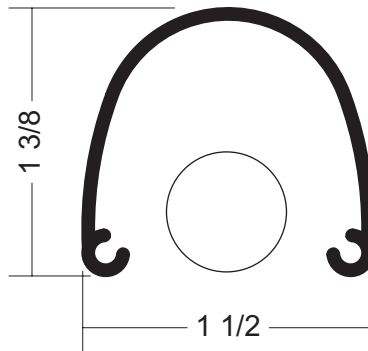
DISPLAY

580

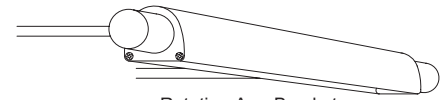
SEMI-ROUND

T2, T5, HALOGEN, XENON

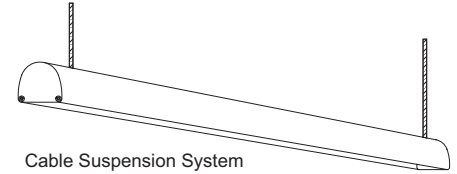
- extruded aluminum construction
- available in linear fluorescent or low-voltage incandescent lamps
- low-voltage lamps may be spaced 12", 9" or 6" on center
- two types of housing for remote ballast/transformer
- fixtures are built to order with lengths to the nearest 1/16"
- standard anodized finishes are listed, custom anodized and powdercoated finishes available
- all Display fixtures come standard with 9'-0" wire leads
- two types of wire feed offered
End Feed includes 6'-0" of 3/8" flexible conduit
Front Feed includes a matching 32" long 1/2" o.d. rigid downtube and 3'-0" of 3/8" flexible conduit
- optional mounting clips, end caps and lamp sleeves
- UL and C-UL Listed for Dry and Damp Locations



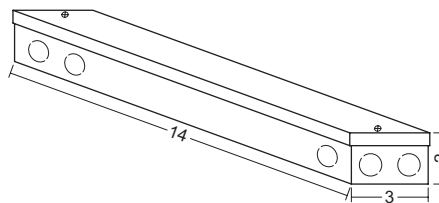
Mechanically Fastened
Matching Solid End Cap
option: **EC580**



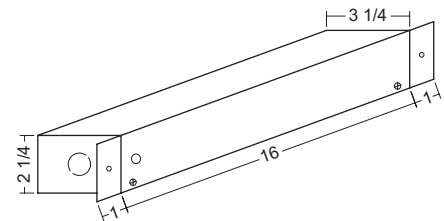
Rotating Arm Bracket
option: **RAB**
See *Custom-p2* for details



Cable Suspension System
option: **CSS**
See *Custom-p1* for details



Remote Power Box
BB14B
concealed mount



Remote Power Box
BB16A
flush mount

580

Reflector
Shape

Lamp Type

T2
T5
T5HO
H10 - 10 watt halogen
H20 - 20 watt halogen
X10 - 10 watt xenon
X20 - 20 watt xenon
*when specifying halogen
or xenon, add 12, 9 or 6
for lamp on-center spacing*

Remote Power Box
BB14B
BB16A

Voltage

120
277
347
UNV

Length
specify required
length to the
nearest 1/16"

Finish

SC - Satin Clear
BC - Bright Clear
FB - Flat Black
SG - Satin Gold
BG - Bright Gold
CU - Custom
(please specify)

Options

Feed Type
EF - End Feed
FF - Front Feed
CU - custom (supply sketch)

Job Information

Type

Job Name

Location

BIRCHWOOD LIGHTING

714.550.7118 • fax 714.550.7151 • www.BirchwoodLighting.com

NOTE: Specifications and dimensions are subject to change without notice.

