

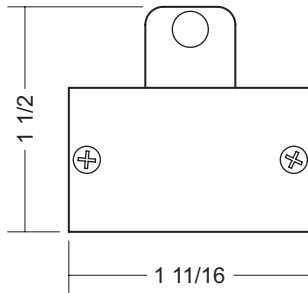
DISPLAY

560-IB

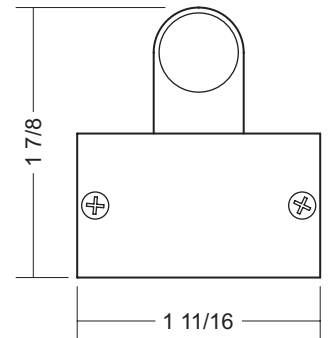
SQUARE

T2, T5, T8 INTEGRAL BALLAST

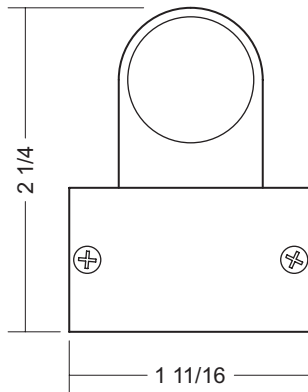
- extruded aluminum construction
- available in T2, T5, or T8 linear fluorescent lamp versions, low-voltage incandescent lamp version available (see 560-LV)
- standard integral ballasts are electronic
- standard anodized finishes are listed. custom anodized and powdercoated finishes available
- all 560-IB fixtures come standard with 9'-0" wire leads
- optional mounting clips and lamp sleeves
- UL and C-UL Listed for Dry and Damp Locations



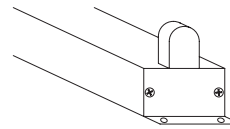
Dimensions for T2,
HALOGEN or XENON



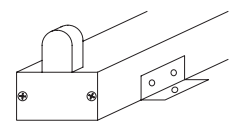
Dimensions for T5



Dimensions for T8



Mounting Clip
option: **MC04**

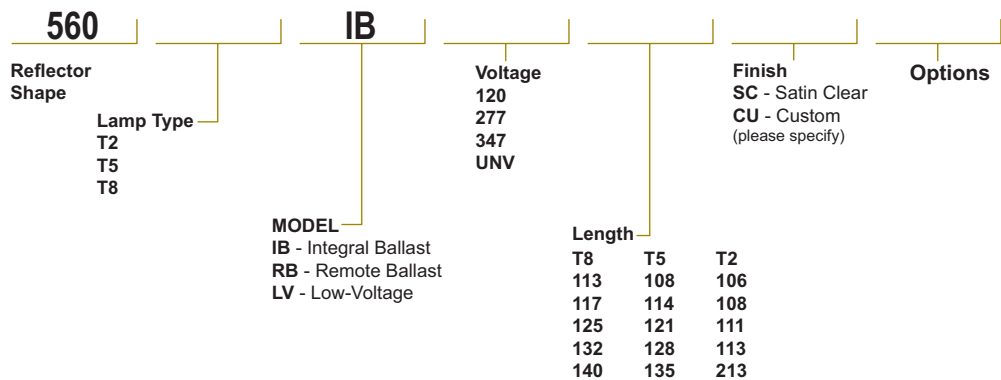


Mounting Clip
option: **MC03**

ACTUAL FIXTURE LENGTHS					
	T8		T5		T2
113	12"	108	12 1/8"	106	9"
117	24"	114	22 7/16"	108	13"
125	36"	121	34 1/4"	111	17"
132	48"	128	46 1/16"	113	21"
140	60"	135	57 7/8"	213	42"

(contact the factory for additional lengths)

Job Information
Type _____
Job Name _____
Location _____



see chart above for
actual lengths

BIRCHWOOD LIGHTING

714.550.7118 • fax 714.550.7151 • www.BirchwoodLighting.com

NOTE: Specifications and dimensions are subject to change without notice.

