



ASHLEY™

ASH-2T8

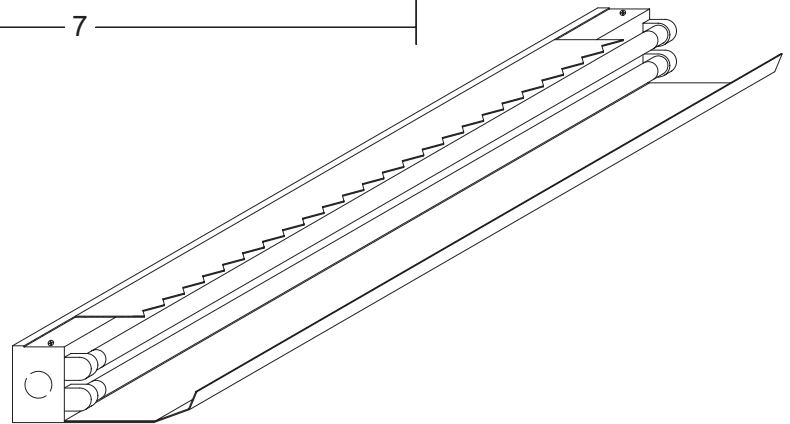
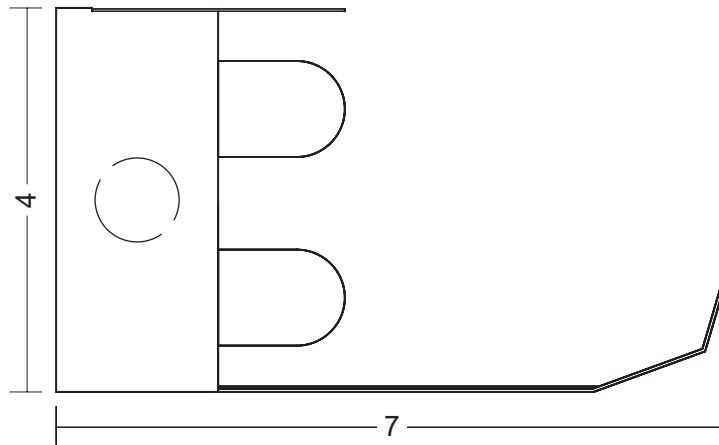
SHADOW FREE COVE

2T8 LINEAR LAMPS

- .050 aluminum construction
- combination of high reflectivity white and specular hammertone reflectors
- saw tooth deflector creates even light on the ceiling and in the cove
- double T8 fluorescent lamps, other lamp types available
- standard units are tandem wired, master/satellite configuration with built-in electronic ballasts
- contact the factory for dimming and emergency ballast options
- UL and C-UL Listed for Dry and Damp Locations

see "How to Build an Effective Cove" section in this catalog or at www.BirchwoodLighting.com

Job Information	
Type	_____
Job Name	_____
Location	_____



ASH

Family

2T8

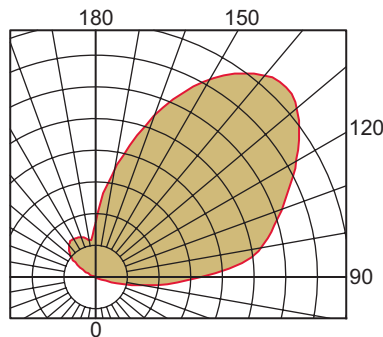
Lamp Type
2T8

Voltage
120
277
347
UNV

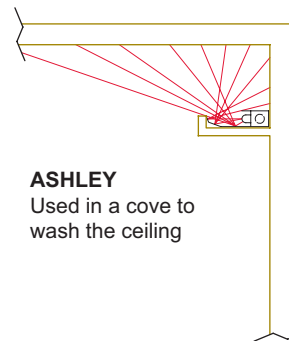
Ballast Type
STD - standard
DIM - dimming
EM - Emergency
consult factory for available STD, DM and EM options

Length
117 - 24"
125 - 36"
132 - 48"
R_ - run length runs are made up of 4' nominal fixtures unless otherwise specified

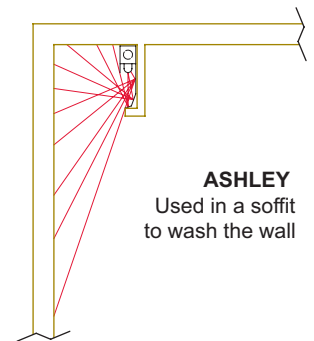
Options



For a complete photometric report and IES file go to www.BirchwoodLighting.com or contact the factory



ASHLEY
Used in a cove to wash the ceiling



ASHLEY
Used in a soffit to wash the wall

BIRCHWOOD LIGHTING

714.550.7118 • fax 714.550.7151 • www.BirchwoodLighting.com

NOTE: Specifications and dimensions are subject to change without notice.

