



## ASHLEY™

### ASH-2T5 ASH-2T5HO

#### SHADOW FREE COVE

#### 2T5 or 2T5HO LINEAR LAMPS

- .050 aluminum construction
- combination of high reflectivity white and specular hammertone reflectors
- saw tooth deflector creates even light on the ceiling and in the cove
- double T5 or T5HO fluorescent, other lamp types available
- standard units are tandem wired, master/satellite configuration with built-in electronic ballasts
- contact the factory for dimming and emergency ballast options
- UL and C-UL Listed for Dry and Damp Locations

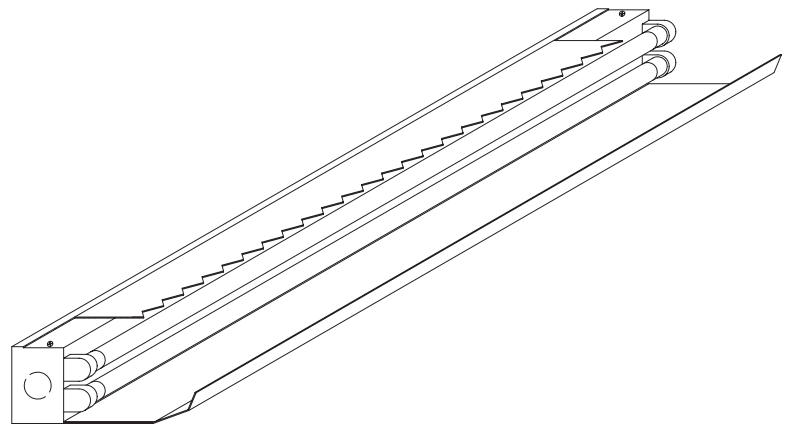
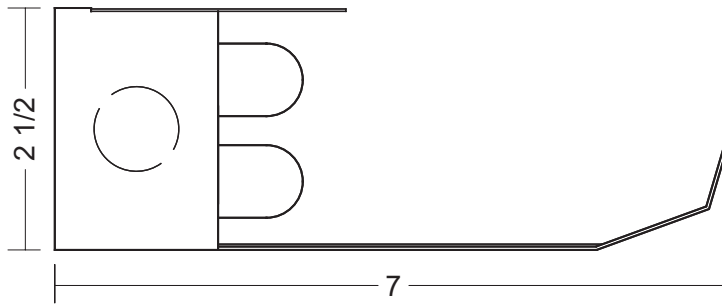
see "How to Build an Effective Cove" section in this catalog or at [www.BirchwoodLighting.com](http://www.BirchwoodLighting.com)

#### Job Information

Type \_\_\_\_\_

Job Name \_\_\_\_\_

Location \_\_\_\_\_



### ASH

Family

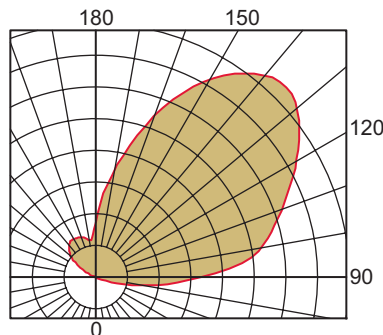
Lamp Type  
2T5  
2T5HO

Voltage  
120  
277  
347  
UNV

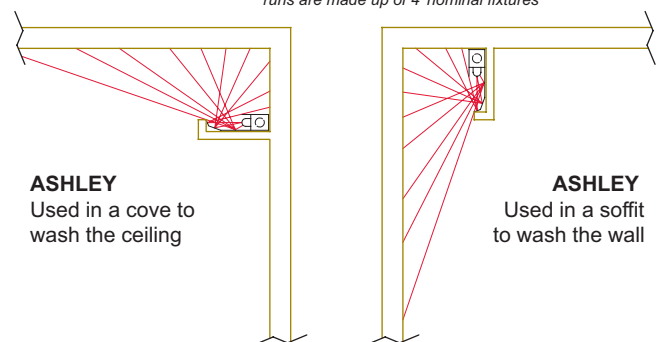
Ballast Type  
STD - standard  
DIM - dimming  
EM - Emergency  
consult factory for available STD, DM and EM options

Length  
T5  
114 - 23 1/8"  
121 - 35"  
128 - 46 3/4"  
T5HO  
124 - 23 1/8"  
139 - 35"  
154 - 46 3/4"  
R\_ - run length  
runs are made up of 4' nominal fixtures

Options



For a complete photometric report and IES file go to [www.BirchwoodLighting.com](http://www.BirchwoodLighting.com) or contact the factory



**ASHLEY**  
Used in a cove to wash the ceiling

**ASHLEY**  
Used in a soffit to wash the wall

# BIRCHWOOD LIGHTING

714.550.7118 • fax 714.550.7151 • [www.BirchwoodLighting.com](http://www.BirchwoodLighting.com)

NOTE: Specifications and dimensions are subject to change without notice.

