

## ASHLEY™

### ASH-CF

#### SHADOW FREE COVE

#### TWIN-TUBE LAMP

- .050 aluminum construction
- combination of high reflectivity white and specular hammertone reflectors
- saw tooth deflector creates even light on the ceiling and in the cove
- 40W, 50W or 55W 2G11 long twin-tube fluorescent, other wattages and lamp types available
- standard units are tandem wired, master/satellite configuration with built-in electronic ballasts
- contact the factory for dimming and emergency ballast options
- UL and C-UL Listed for Dry and Damp Locations

see "How to Build an Effective Cove" section in this catalog or at [www.BirchwoodLighting.com](http://www.BirchwoodLighting.com)

### ASH

Family

### CF

Lamp Type  
CF

Voltage  
120  
277  
347  
UNV

Ballast Type  
STD - standard  
DIM - dimming  
EM - Emergency  
consult factory for  
available STD, DM  
and EM options

Lamp/Length

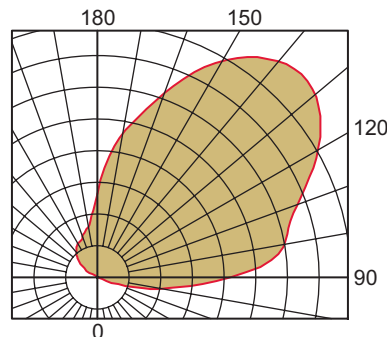
40 Watt  
140 - 24"  
240 - 48"  
50 Watt  
150 - 24"  
250 - 48"

55 Watt

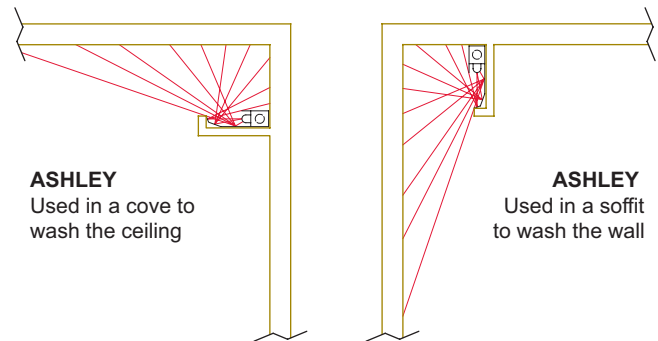
155 - 22 1/2"  
255 - 43 1/2"

R\_ - run length  
runs are made up of  
4' nominal fixtures  
unless otherwise specified

Options



For a complete photometric report and IES file go to [www.BirchwoodLighting.com](http://www.BirchwoodLighting.com) or contact the factory



**ASHLEY**  
Used in a cove to  
wash the ceiling

**ASHLEY**  
Used in a soffit  
to wash the wall

#### Job Information

Type

Job Name

Location

# BIRCHWOOD LIGHTING

714.550.7118 • fax 714.550.7151 • [www.BirchwoodLighting.com](http://www.BirchwoodLighting.com)

NOTE: Specifications and dimensions are subject to change without notice.

