

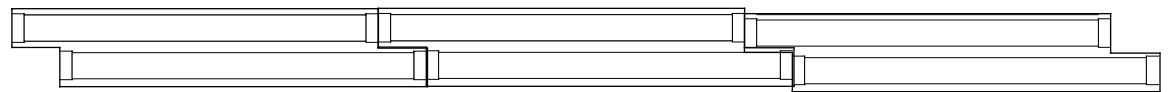
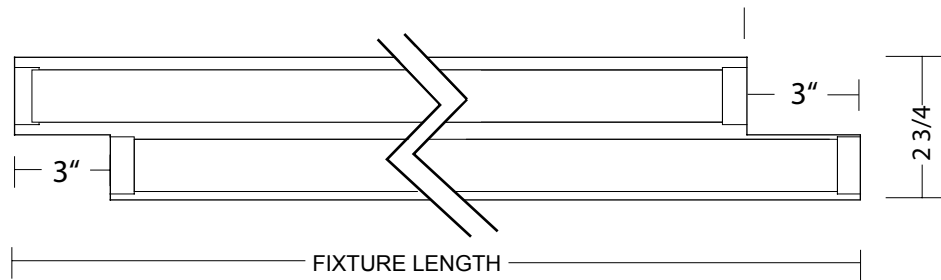
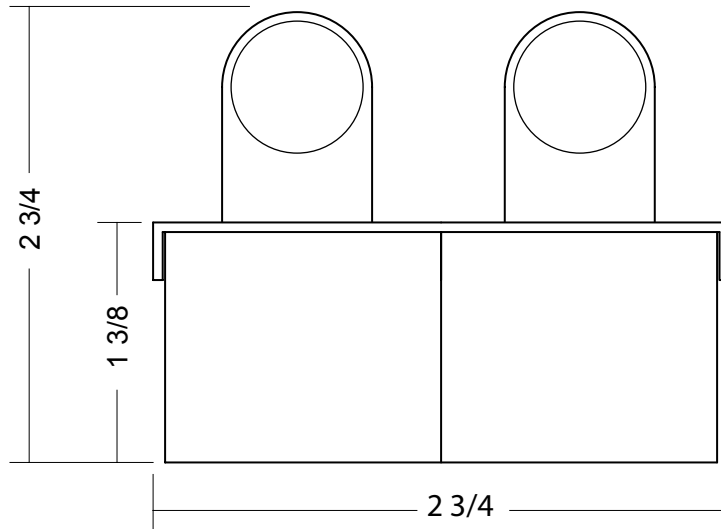
WP SYSTEM

WP-T8-2ST

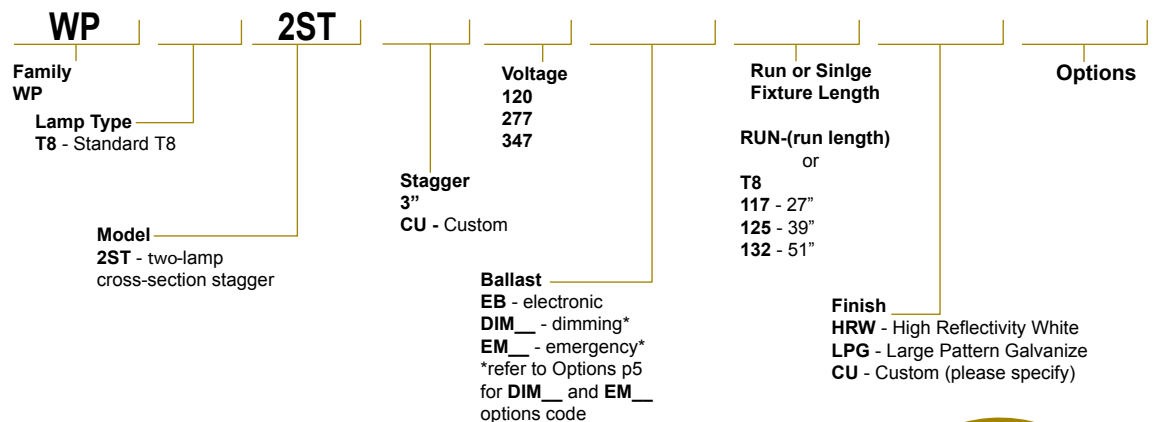
2-LAMP STAGGER

2-T8 LINEAR LAMPS

- 20 gauge steel construction, also available in aluminum, add "AL" in "Options" space
- uses standard T8 fluorescent lamps, other lamp types available
- two-lamp cross section with a standard lamp stagger of 3", one-lamp cross section and other stagger lengths available
- standard ballasts are integral electronic, consult factory for available types of dimming and emergency ballasts
- fixtures are available in nominal lengths of 2, 3, and 4 feet, see part numbers to the right for actual fixture lengths
- standard finish is High Reflectivity White powder coat done post production, decorative Large Pattern Galvanize and other custom colors and finishes are also available
all WP System fixtures are treated with a multi-stage phosphate process which ensures proper finish bonding and inhibits rust
- optional standard and custom shape solid, slotted or perforated reflectors available
- UL and C-UL Listed for Dry and Damp Locations



Job Information
Type _____
Job Name _____
Location _____



BIRCHWOOD LIGHTING

714.550.7118 • fax 714.550.7151 • www.BirchwoodLighting.com

NOTE: Specifications and dimensions are subject to change without notice.

