

WP SYSTEM

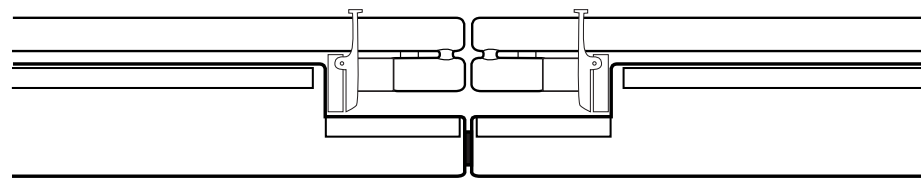
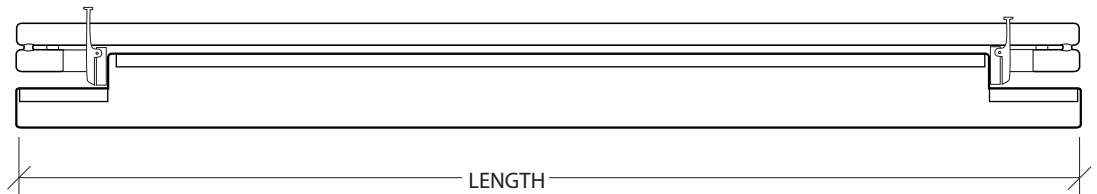
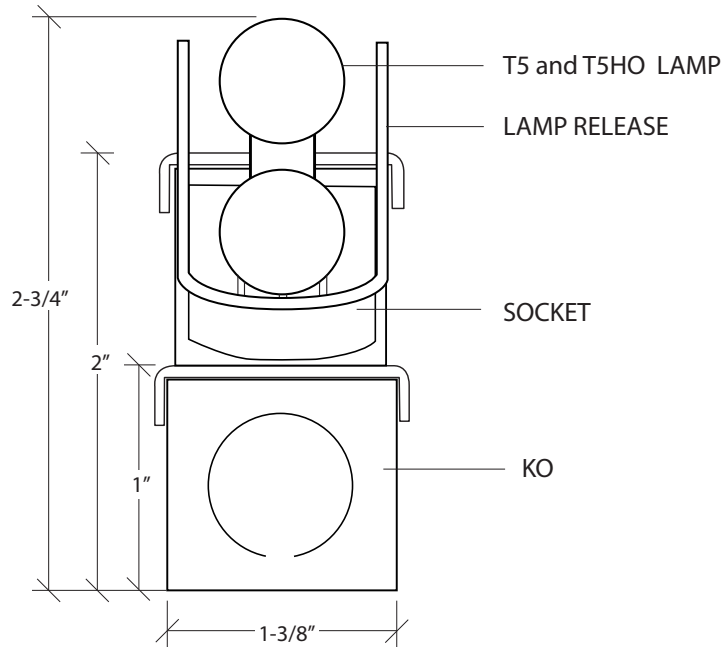
WP-SMLS



SEAMLESS LIGHTING

End to End Seamless Fixture

- unique fixture design to utilize newly developed T5/T5HO lamps.
- eliminate socket shadow at fixture ends, no dead spots where fixtures meet end to end.
- seamless standard or high output T5 fluorescent lamp models
- 20 gauge steel construction, also available in aluminum, add "AL" in "Options" space
- standard ballasts are integral electronic, consult factory for available types of dimming and emergency ballasts
- long runs are tandem wired with the master-satellite configuration unless otherwise specified
- fixtures are available in nominal lengths of 2, 3, and 4 feet, see part numbers to the right for actual fixture lengths
- standard finish is High Reflectivity White powder coat done post production, decorative Large Pattern Galvanize and other custom colors and finishes are also available all WP System fixtures are treated with a multi-stage phosphate process which ensures proper finish bonding and inhibits rust
- UL and C-UL Listed for Dry and Damp Locations



End To End Seamless Continuous Run

WP	SMLS						
Family	Lamp Type	Model	Voltage	Ballast	Length	Finish	Options
WP	T5HO-High Output T5 - T5 Standard	SMLS - Seamless	120 277 347	EB - electronic DIM__ - dimming* EM__ - emergency* *refer to Options p5 for DIM__ and EM__ options code	124 - 22 7/8" 139 - 34 11/16" 154 - 46 4/8" 254 - 93"*	HRW - High Reflectivity White LPG - Large Pattern Galvanize CU - Custom (please specify)	

(*4' lamps end-to-end)

Job Information

Type:

Job Name:

Location:

BIRCHWOOD LIGHTING

714.550.7118 • fax 714.550.7151 • www.BirchwoodLighting.com

NOTE: Specifications and dimensions are subject to change without notice.



WP-SMLS