

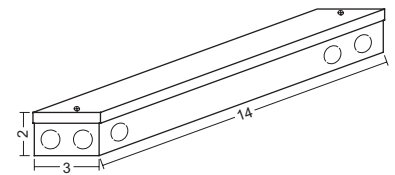
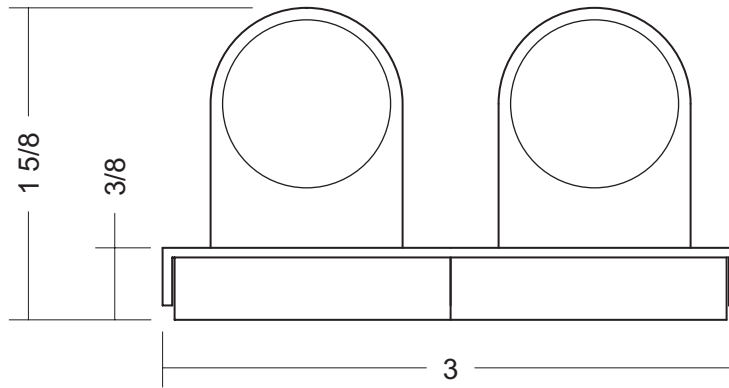
WP SYSTEM

WP-T8-LP-2ST

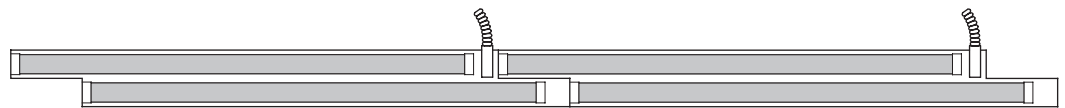
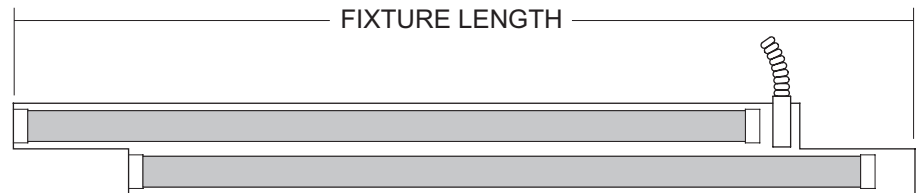
2-LAMP STAGGER

2 T8 LINEAR LAMP

- 20 gauge steel construction, also available in aluminum, add "AL" in "Options" space
- uses standard linear T8 fluorescent lamps, other lamp types available
- two-lamp cross section with a standard lamp stagger of 3", one-lamp cross section and other stagger amounts available
- standard ballasts are remote electronic, see drawings for remote ballast housing options, consult factory for available types of dimming and emergency ballasts
- fixtures are available in nominal lengths of 1, 2, 3, 4 and 5 feet, see part numbers to the right for actual fixture lengths
- standard finish is High Reflectivity White powder coat done post production, decorative Large Pattern Galvanize and other custom colors and finishes are also available
all WP System fixtures are treated with a multi-stage phosphate process which ensures proper finish bonding and inhibits rust
- optional standard and custom shape solid, slotted or perforated reflectors available
- UL and C-UL Listed for Dry and Damp Locations



"LP" fixtures come standard with "BB14B" remote ballast box. Other ballast box types available, see ballast box catalog sheet.



| Job Information | |
|-----------------|-------|
| Type | _____ |
| Job Name | _____ |
| Location | _____ |

| WP | T8 | LP-2ST | | | | | | |
|--------------|-----------------------------|---|------------------------------|--|---|--|---------|--|
| Family WP | Lamp Type T8 - Linear T8 | Model LP-2ST - Low-Profile two-lamp cross-section stagger <i>add desired stagger if other than 3"</i> | Voltage 120 277 347 | Ballast EB - electronic DIM__ - dimming* EM__ - emergency* <i>*refer to Options p5 for DIM__ and EM__ options code</i> | Length 117 - 29 1/2" 125 - 41 1/2" 132 - 53 1/2" | Finish HRW - High Reflectivity White LPG - Large Pattern Galvanize CU - Custom (please specify) | Options | |

