

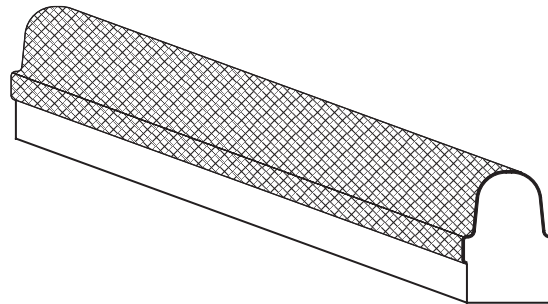
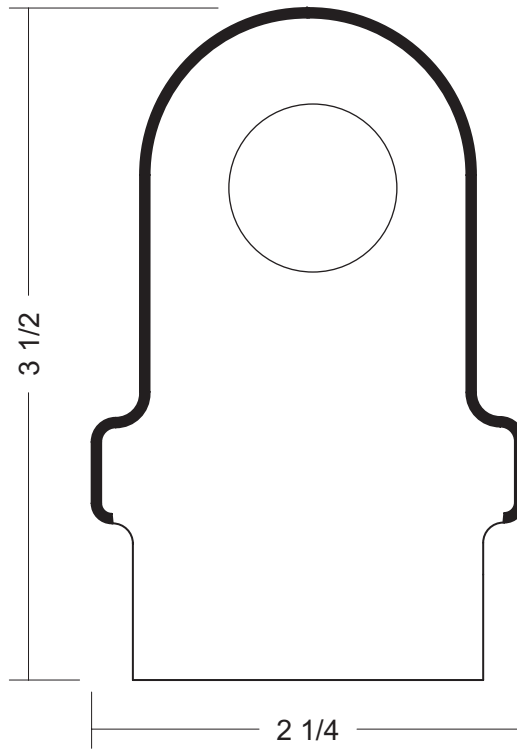
WP SYSTEM

WP-T8-S-AC

STANDARD WITH ACRYLIC COVER

T8 LINEAR LAMP

- 20 gauge steel construction, also available in aluminum, add "AL" in "Options" space
- standard K.O. centered on back and offset 3" from both ends end caps are smooth, add "KO" in "Options" space for K.O. on end caps
- uses standard linear T8 fluorescent lamps, other lamp types available
- formed snap-on acrylic cover, contact factory for acrylic options
- standard ballasts are integral electronic, consult factory for available types of dimming and emergency ballasts
- fixtures are available in nominal lengths of 1, 2, 3, 4, 5 and 8 feet, see part numbers to the right for actual fixture lengths
- standard finish is High Reflectivity White powder coat done post production, decorative Large Pattern Galvanize and other custom colors and finishes are also available
all WP System fixtures are treated with a multi-stage phosphate process which ensures proper finish bonding and inhibits rust
- UL and C-UL Listed for Dry and Damp Locations



Job Information	
Type	_____
Job Name	_____
Location	_____

WP	T8	S							
Family WP	Lamp Type T8 - Linear T8	Model S - Standard			Voltage 120 277 347			Length 113 - 12 1/16" 117 - 24 1/16" 125 - 36 1/16" 132 - 48 1/16" 140 - 60 1/16" 232 - 96 1/16" <i>(4' lamps end-to-end)</i>	Options KO - mark for K.O. on end cap
			Lens ACW - white textured ACC - clear ACP - clear prismatic O - other _____		Ballast EB - electronic DIM__ - dimming* EM__ - emergency* *refer to Options p5 for DIM__ and EM__ options code			Finish HRW - High Reflectivity White LPG - Large Pattern Galvanize CU - Custom (please specify)	

BIRCHWOOD LIGHTING

714.550.7118 • fax 714.550.7151 • www.BirchwoodLighting.com

NOTE: Specifications and dimensions are subject to change without notice.

