

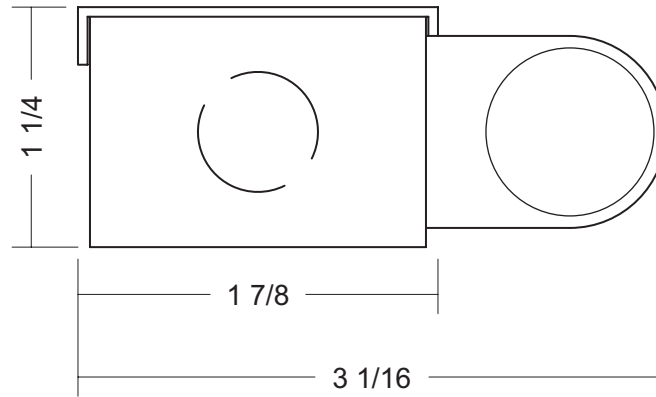
## WP SYSTEM

### WP-T8-SSM

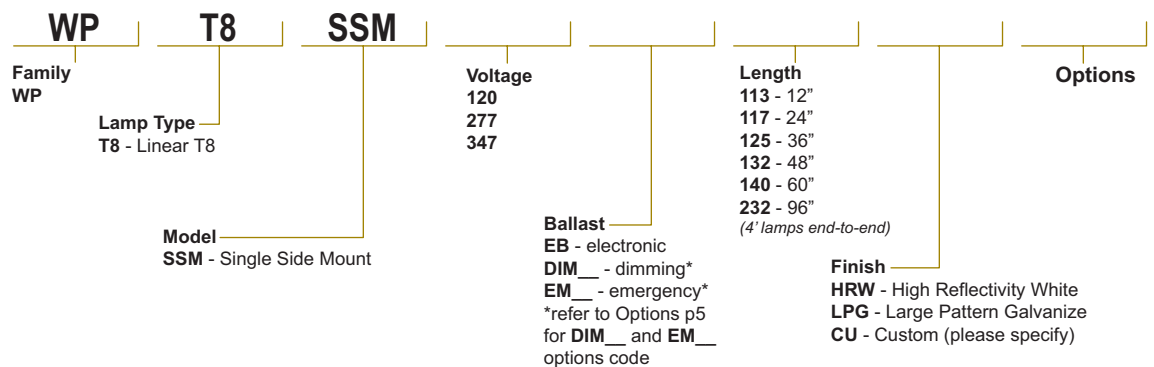
#### SINGLE SIDE MOUNT

#### T8 LINEAR LAMP

- 20 gauge steel construction, also available in aluminum, add "AL" in "Options" space
- uses standard linear T8 fluorescent lamps, other lamp types available
- standard ballasts are integral electronic, consult factory for available types of dimming and emergency ballasts
- long runs are tandem wired with the master-satellite configuration unless otherwise specified
- fixtures are available in nominal lengths of 1, 2, 3, 4, 5 and 8 feet, see part numbers to the right for actual fixture lengths
- standard finish is High Reflectivity White powder coat done post production, decorative Large Pattern Galvanize and other custom colors and finishes are also available  
all WP System fixtures are treated with a multi-stage phosphate process which ensures proper finish bonding and inhibits rust
- optional solid, slotted or perforated reflectors available
- UL and C-UL Listed for Dry and Damp Locations



Job Information
Type _____
Job Name _____
Location _____



# BIRCHWOOD LIGHTING

714.550.7118 • fax 714.550.7151 • www.BirchwoodLighting.com

NOTE: Specifications and dimensions are subject to change without notice.

