

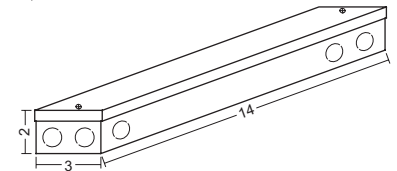
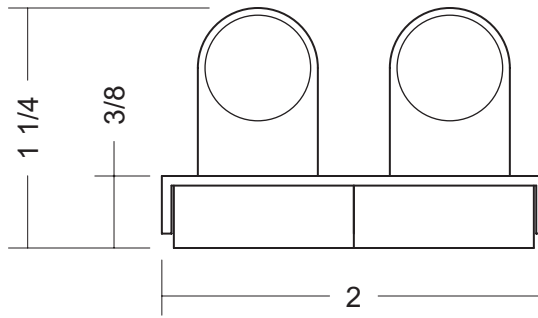
WP SYSTEM

WP-T5-LP-2ST
WP-T5HO-LP-2ST

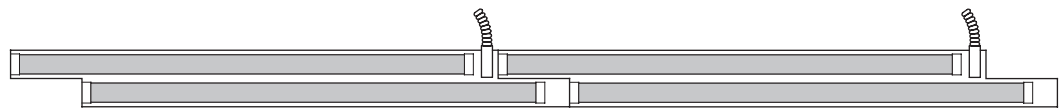
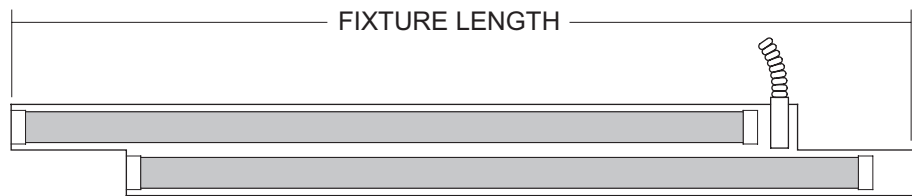
2-LAMP STAGGER

IT5 or IT5HO LINEAR LAMP

- 20 gauge steel construction, also available in aluminum, add "AL" in "Options" space
- uses standard or high output T5 fluorescent lamps, other lamp types available
- two-lamp cross section with a standard lamp stagger of 3", one-lamp cross section and other stagger amounts available
- standard ballasts are remote electronic, see drawings for remote ballast housing options, consult factory for available types of dimming and emergency ballasts
- fixtures are available in nominal lengths of 1, 2, 3, 4 and 5 feet, see part numbers to the right for actual fixture lengths
- standard finish is High Reflectivity White powder coat done post production, decorative Large Pattern Galvanize and other custom colors and finishes are also available
all WP System fixtures are treated with a multi-stage phosphate process which ensures proper finish bonding and inhibits rust
- optional standard and custom shape solid, slotted or perforated reflectors available
- UL and C-UL Listed for Dry and Damp Locations



"LP" fixtures come standard with "BB14B" remote ballast box. Other ballast box types available, see ballast box catalog sheet.



Job Information
Type
Job Name
Location

WP	LP-2ST	Voltage	Length	Options
Family WP	Lamp Type T5 - Standard T5 T5HO - T5 High Output	120 277 347	T5 114 - 27 7/8" T5HO 124 - 27 7/8" 121 - 39 3/4" 139 - 39 3/4" 128 - 48 1/2" 154 - 48 1/2"	
	Model LP-2ST - Low-Profile two-lamp cross-section stagger add desired stagger if other than 3"		Ballast EB - electronic DIM__ - dimming* EM__ - emergency* *refer to Options p5 for DIM__ and EM__ options code	Finish HRW - High Reflectivity White LPG - Large Pattern Galvanize CU - Custom (please specify)

BIRCHWOOD LIGHTING

714.550.7118 • fax 714.550.7151 • www.BirchwoodLighting.com

NOTE: Specifications and dimensions are subject to change without notice.

