

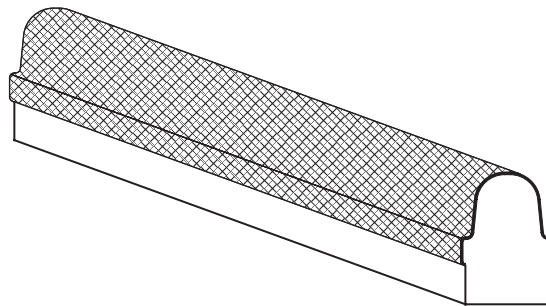
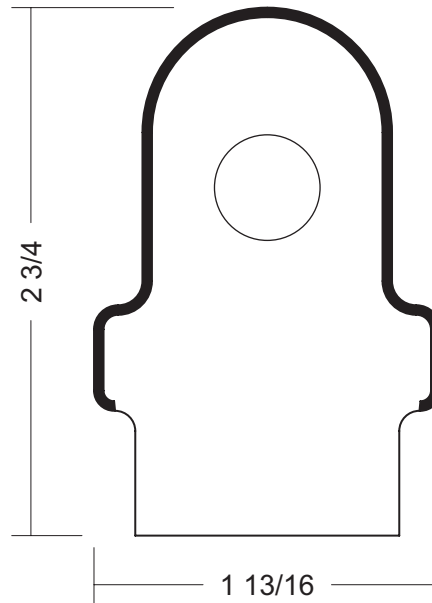
## WP SYSTEM

WP-T5-MD-AC  
WP-T5HO-MD-AC

MINI WITH  
ACRYLIC COVER

T5 or T5HO LINEAR LAMP

- 20 gauge steel construction, also available in aluminum, add "AL" in "Options" space
- standard K.O. centered on back and offset 3" from both ends end caps are smooth, add "KO" in "Options" space for K.O. on end caps
- standard or high output T5 fluorescent lamp model, other lamp types available
- formed snap-on acrylic cover, contact factory for acrylic options
- standard ballasts are integral electronic, consult Options p5 for available types of dimming and emergency ballasts
- fixtures are available in nominal lengths of 2, 3, 4, 5 and 8 feet, see part numbers to the right for actual fixture lengths
- standard finish is High Reflectivity White powder coat done post production, decorative Large Pattern Galvanize and other custom colors and finishes are also available  
all WP System fixtures are treated with a multi-stage phosphate process which ensures proper finish bonding and inhibits rust
- UL and C-UL Listed for Dry and Damp Locations



Job Information	
Type	_____
Job Name	_____
Location	_____

WP	MD	Voltage	Length	Options
Family WP	Lamp Type T5 - Standard T5 T5HO - T5 High Output	120 277 347	T5 108 - 12 3/16" 114 - 22 1/2" 121 - 34 5/16" 128 - 46 1/8" 135 - 57 7/8" 228 - 92 1/16"* T5HO 124 - 22 1/2" 139 - 34 5/16" 154 - 46 1/8" 180 - 57 7/8" 254 - 92 1/16"* <small>(*4' lamps end-to-end)</small>	Options KO - mark for K.O. on end cap
	Model MD - Mini	Ballast EB - electronic DIM__ - dimming* EM__ - emergency* <small>*refer to Options p5 for DIM__ and EM__ options code</small>	Finish HRW - High Reflectivity White LPG - Large Pattern Galvanize CU - Custom (please specify)	
	Lens ACW - white textured ACC - clear ACP - clear prismatic O - other _____			

# BIRCHWOOD LIGHTING

714.550.7118 • fax 714.550.7151 • www.BirchwoodLighting.com

NOTE: Specifications and dimensions are subject to change without notice.

