

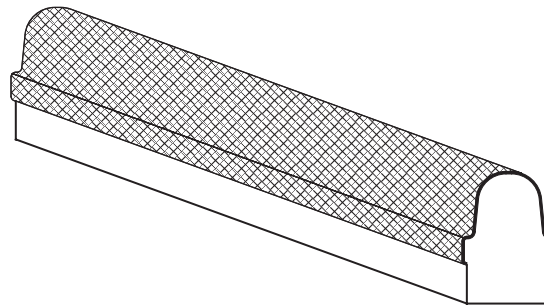
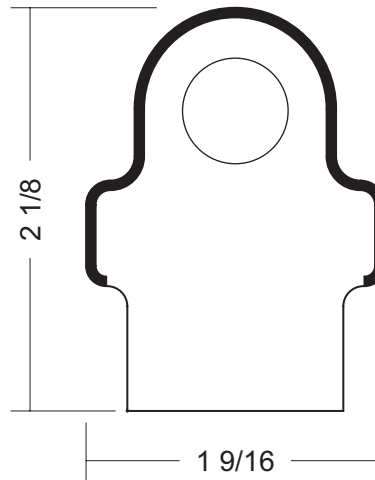
WP SYSTEM

WP-T5-M-AC

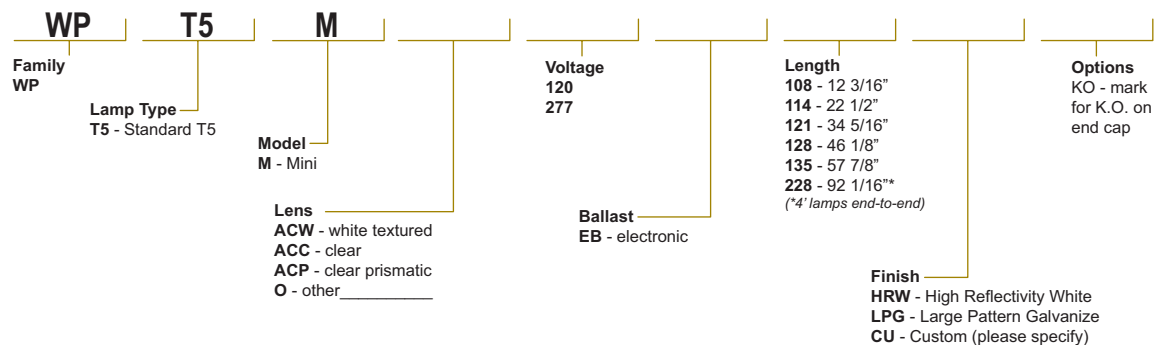
MINI WITH ACRYLIC COVER

T5 LINEAR LAMP

- 20 gauge steel construction, also available in aluminum, add "AL" in "Options" space
- standard K.O. centered on back and offset 3" from both ends end caps are smooth, add "K.O." in "Options" space for K.O. on end caps
- uses standard T5 linear fluorescent lamps, other lamp types available
- formed snap-on acrylic cover, contact factory for acrylic options
- standard ballasts are integral electronic, consult the factory for available types of regular, dimming and emergency ballasts
- fixtures are available in nominal lengths of 1, 2, 3, 4, 5 and 8 feet, see part numbers to the right for actual fixture lengths
- standard finish is High Reflectivity White powder coat done post production, decorative Large Pattern Galvanize and other custom colors and finishes are also available
all WP System fixtures are treated with a multi-stage phosphate process which ensures proper finish bonding and inhibits rust
- UL and C-UL Listed for Dry and Damp Locations



Job Information
Type
Job Name
Location



BIRCHWOOD LIGHTING

714.550.7118 • fax 714.550.7151 • www.BirchwoodLighting.com

NOTE: Specifications and dimensions are subject to change without notice.

