

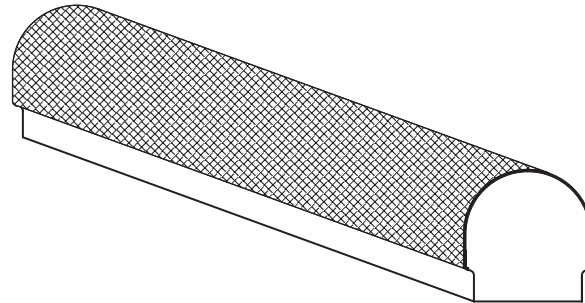
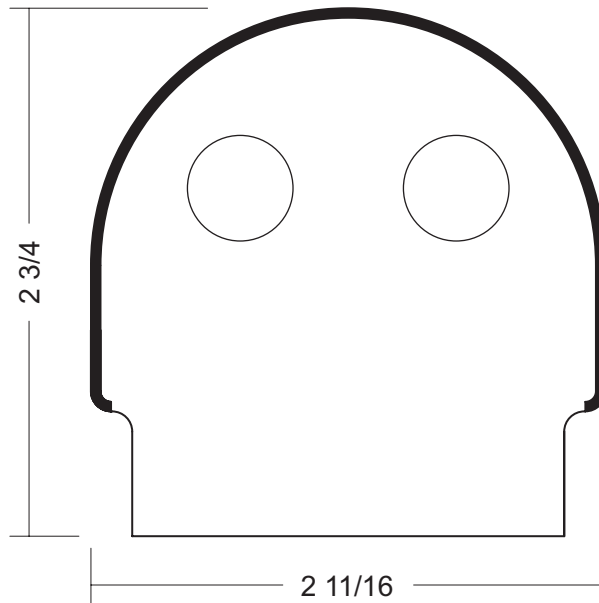
WP SYSTEM

WP-2T5-S-AC
WP-2T5HO-S-AC

2-LAMP STANDARD
WITH ACRYLIC COVER

2T5 or 2T5HO LINEAR LAMPS

- 20 gauge steel construction, also available in aluminum, add "AL" in "Options" space
- standard K.O. centered on back and offset 3" from both ends end caps are smooth, add "KO" in "Options" space for K.O. on end cap
- uses standard or high output T5 fluorescent lamps, other lamp types available
- formed snap-on acrylic cover, contact factory for acrylic options
- two-lamp cross section
- standard ballasts are integral electronic, consult factory for available types of dimming and emergency ballasts
- fixtures are available in nominal lengths of 1, 2, 3, 4, 5 and 8 feet, see part numbers to the right for actual fixture lengths
- standard finish is High Reflectivity White powder coat done post production, decorative Large Pattern Galvanize and other custom colors and finishes are also available
all WP System fixtures are treated with a multi-stage phosphate process which ensures proper finish bonding and inhibits rust
- UL and C-UL Listed for Dry and Damp Locations



Job Information	
Type	_____
Job Name	_____
Location	_____

WP	S	Voltage	Length	Options
Family WP	Lamp Type 2T5 - two Standard T5 2T5HO - two T5 High Output	120 277 347	T5 108 - 12 3/16" 114 - 22 1/2" 121 - 34 5/16" 128 - 46 1/8" 135 - 57 7/8" 228 - 92 1/16"* T5HO 124 - 22 1/2" 139 - 34 5/16" 154 - 46 1/8" 180 - 57 7/8" 254 - 92 1/16"* <small>(*4' lamps end-to-end)</small>	Options KO - mark for K.O. on end cap
	Model S - Standard	Ballast EB - electronic DIM__ - dimming* EM__ - emergency* <small>*refer to Options p5 for DIM__ and EM__ options code</small>	Finish HRW - High Reflectivity White LPG - Large Pattern Galvanize CU - Custom (please specify)	
	Lens ACW - white textured ACC - clear ACP - clear prismatic O - other _____			

BIRCHWOOD LIGHTING

714.550.7118 • fax 714.550.7151 • www.BirchwoodLighting.com

NOTE: Specifications and dimensions are subject to change without notice.

