

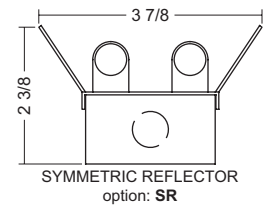
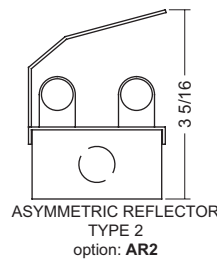
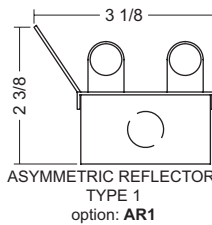
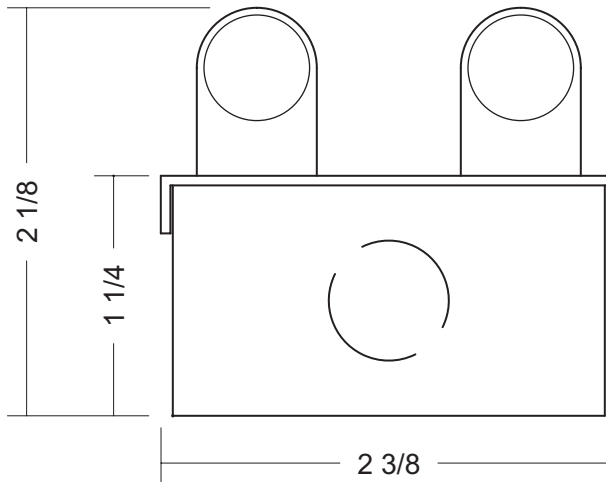
WP SYSTEM

WP-2T5-S WP-2T5HO-S

2-LAMP STANDARD

2T5 or 2T5HO LINEAR LAMPS

- 20 gauge steel construction, also available in aluminum, add "AL" in "Options" space
- uses standard or high output T5 fluorescent lamps, other lamp types available
- two-lamp cross section
- standard ballasts are integral electronic, consult factory for available types of dimming and emergency ballasts
- fixtures are available in nominal lengths of 1, 2, 3, 4, 5 and 8 feet, see part numbers to the right for actual fixture lengths
- standard finish is High Reflectivity White powder coat done post production, decorative Large Pattern Galvanize and other custom colors and finishes are also available
all WP System fixtures are treated with a multi-stage phosphate process which ensures proper finish bonding and inhibits rust
- optional standard (shown) and custom shape solid, slotted or perforated reflectors available
- UL and C-UL Listed for Dry and Damp Locations



Job Information	
Type	_____
Job Name	_____
Location	_____

Family	Lamp Type	Model	Voltage	Ballast	Length	Options
WP	2T5 - two Standard T5 2T5HO - two T5 High Output	S - Standard	120 277 347	EB - electronic DIM__ - dimming* EM__ - emergency* *refer to Options p5 for DIM__ and EM__ options code	T5 108 - 12 1/8" 114 - 22 7/16" 121 - 34 1/4" 128 - 46 1/16" 135 - 57 7/8" 228 - 92 1/16**254 - 92 1/16** (*4' lamps end-to-end)	T5HO 124 - 22 7/16" 139 - 34 1/4" 154 - 46 1/16" 180 - 57 7/8" Finish HRW - High Reflectivity White LPG - Large Pattern Galvanize CU - Custom (please specify)

BIRCHWOOD LIGHTING

714.550.7118 • fax 714.550.7151 • www.BirchwoodLighting.com

NOTE: Specifications and dimensions are subject to change without notice.

