

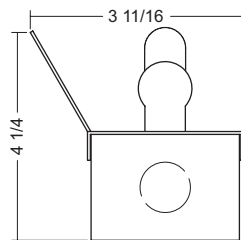
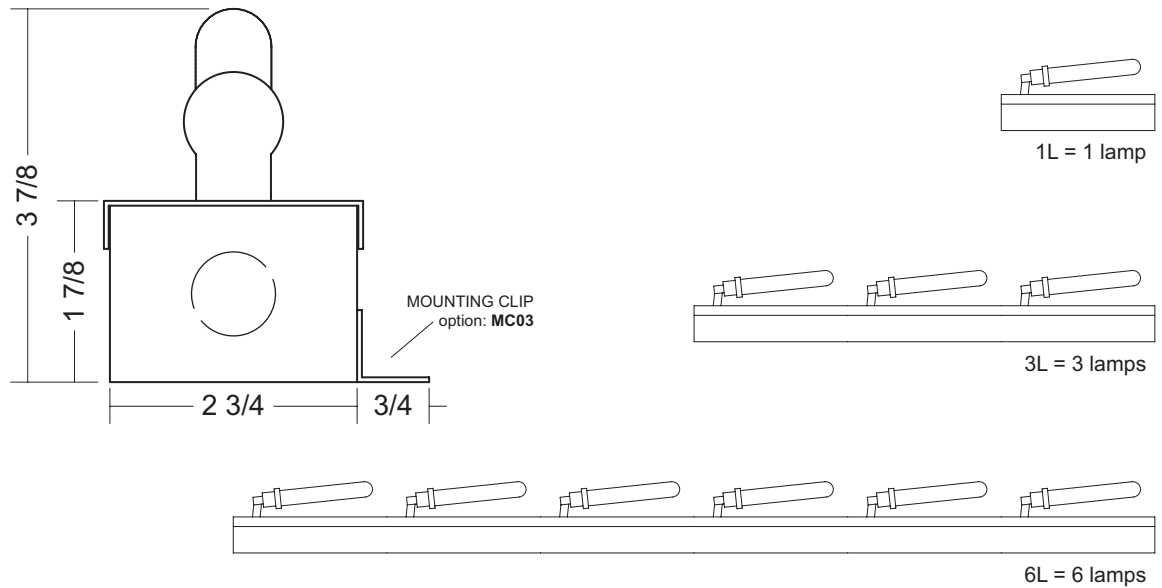
## WP SYSTEM

### WP-T6<sup>1</sup>/<sub>2</sub>-S

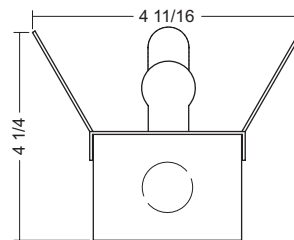
#### STANDARD

#### T6<sup>1</sup>/<sub>2</sub> INCANDESCENT LAMP

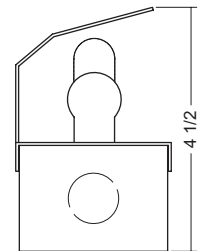
- .050 aluminum construction, also available in steel, add "ST" in "Options" space
- intermediate base T6<sup>1</sup>/<sub>2</sub> incandescent lamps up to 40 watts each, other lamp types available
- one, three and six lamp units are standard, custom lengths also available see part numbers to the right for actual fixture lengths
- standard finish is High Reflectivity White, Satin Anodized, decorative Large Pattern Galvanize and other custom colors and finishes are also available  
all WP System fixtures are treated with a multi-stage phosphate process which ensures proper finish bonding and inhibits rust
- optional standard (shown) and custom shape solid, slotted or perforated reflectors available
- UL and C-UL Listed for Dry and Damp Locations



ASYMETRIC REFLECTOR  
TYPE 1  
option: AR1

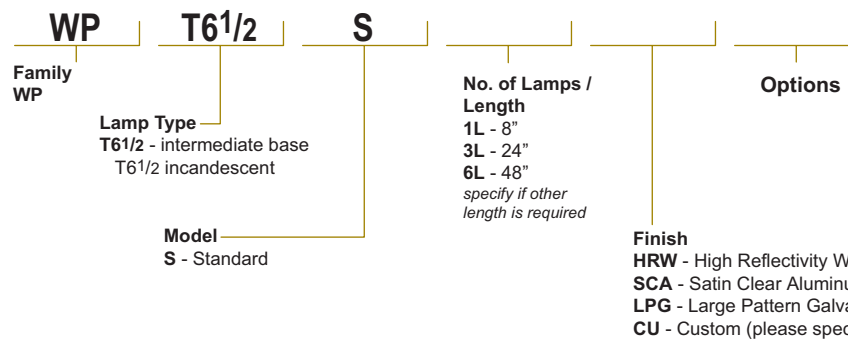


SYMETRIC REFLECTOR  
TYPE 1  
option: SR1



ASYMETRIC REFLECTOR  
TYPE 2  
option: AR2

Job Information	
Type	_____
Job Name	_____
Location	_____



# BIRCHWOOD LIGHTING

714.550.7118 • fax 714.550.7151 • www.BirchwoodLighting.com

NOTE: Specifications and dimensions are subject to change without notice.

