

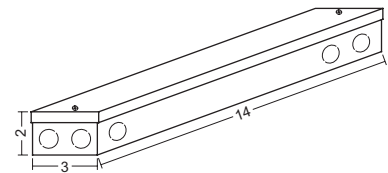
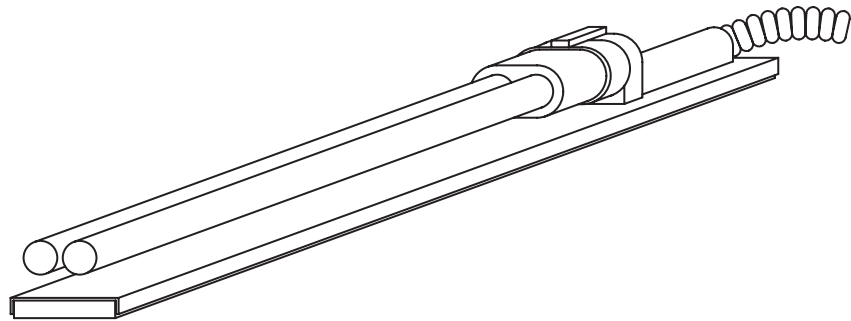
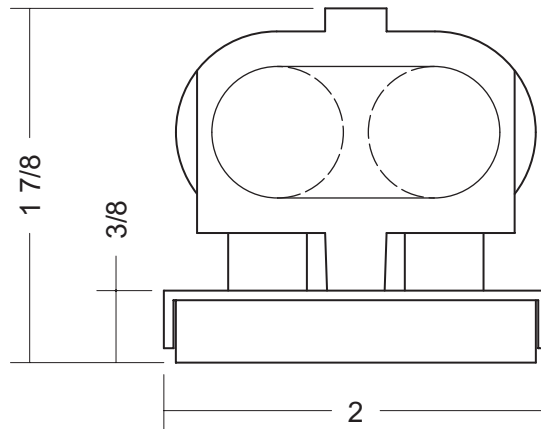
## WP SYSTEM

### WP-55T-LP

#### LOW-PROFILE

#### 55 W LONG TWIN-TUBE LAMP

- 20 gauge steel construction, also available in aluminum, add "AL" in "Options" space
- 55 watt 2G11 long twin-tube compact fluorescent lamps, other lamp types available
- standard ballasts are remote electronic, see drawings for remote ballast housing options, consult factory for available types of dimming and emergency ballasts
- fixtures come standard with 9'-0" wire leads and special 3/8" flex connector
- fixtures are available in two standard nominal lengths, see part numbers to the right for actual fixture lengths
- standard finish is High Reflectivity White powder coat done post production, decorative Large Pattern Galvanize and other custom colors and finishes are also available  
all WP System fixtures are treated with a multi-stage phosphate process which ensures proper finish bonding and inhibits rust
- optional standard and custom shape solid, slotted or perforated reflectors available
- UL and C-UL Listed for Dry and Damp Locations



"LP" fixtures come standard with "BB14B" remote ballast box. Other ballast box types available, see ballast box catalog sheet.

Job Information
Type _____
Job Name _____
Location _____

WP	55T	LP	Voltage	No. of Lamps / Length	Options
Family WP	Lamp Type 55T - 55 watt Long-Twin Tube Compact Fluorescent	Model LP - Low-Profile	120 277 347	1L - 24" 2L - 45 1/2" (two lamps end-to-end)	Ballast EB - electronic DIM__ - dimming* EM__ - emergency* *refer to Options p5 for DIM__ and EM__ options code
				Finish HRW - High Reflectivity White LPG - Large Pattern Galvanize CU - Custom (please specify)	

# BIRCHWOOD LIGHTING

714.550.7118 • fax 714.550.7151 • www.BirchwoodLighting.com

NOTE: Specifications and dimensions are subject to change without notice.

