

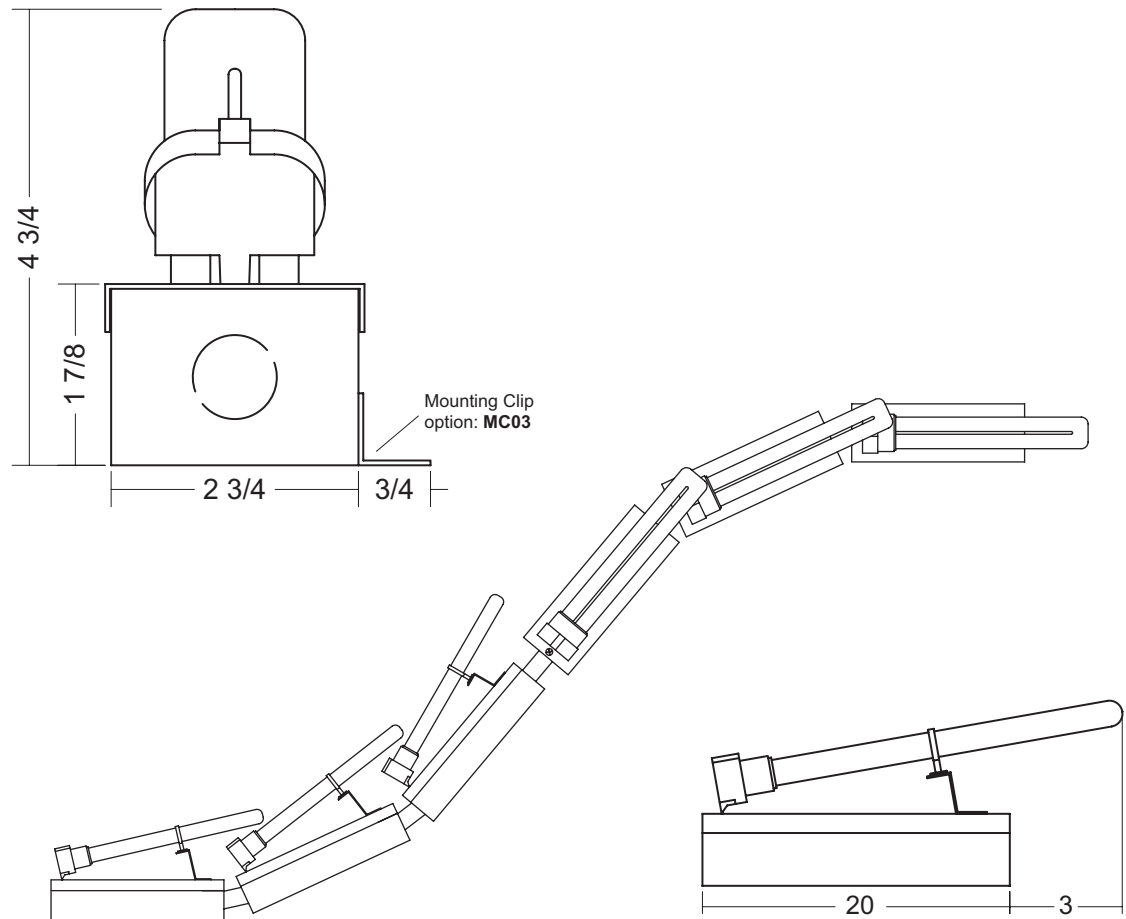
## SYDNEY™

### SYD-80T-OL

#### FIELD CURVABLE

#### 80 WATT TWIN TUBE

- .050 aluminum construction
- 80 watt 2G11 long twin-tube fluorescent, other lamp types and wattages available
- end-to-end and overlapping lamp models available
- shipped in short, pre-wired runs from the factory which are easily connected together in the field for longer runs
- standard finishes are Satin Clear Anodized or High Reflectivity White, custom colors available
- contact the factory for STD standard and DIM dimming ballast options
- Optional extended connectors available for longer length adjustment between units
- UL and C-UL Listed for Dry and Damp Locations



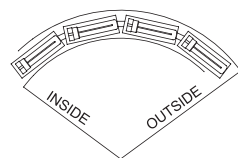
SYD	80T	OL						
Family	Lamp Type	Model	Voltage	Ballast	Run Length	Finish	Options	
		EE - end-to-end OL - overlapping SM - side mount	120 277 347	EB - electronic		HRW - High Reflectivity White SCA - Satin Clear Aluminum CU - Custom (sample may be required)		

**Job Information**

Type \_\_\_\_\_

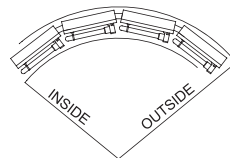
Job Name \_\_\_\_\_

Location \_\_\_\_\_



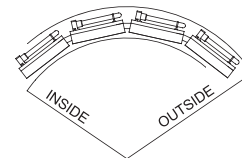
LAMP UP or DOWN

minimum inside	minimum outside
EE - 31"	EE - 36"
OL - 30"	OL - 35"
SM - 31"	SM - 36"



LAMP INSIDE THE RADIUS

minimum inside	minimum outside
EE - 37"	EE - 42"
OL - 50"	OL - 55"
SM - 37"	SM - 42"



LAMP OUTSIDE THE RADIUS

minimum inside	minimum outside
EE - 30"	EE - 35"
OL - 24"	OL - 31"
SM - 30"	SM - 35"

This product is protected by U.S. Patent 6,702,453

## BIRCHWOOD LIGHTING

714.550.7118 • fax 714.550.7151 • www.BirchwoodLighting.com

NOTE: Specifications and dimensions are subject to change without notice.

