

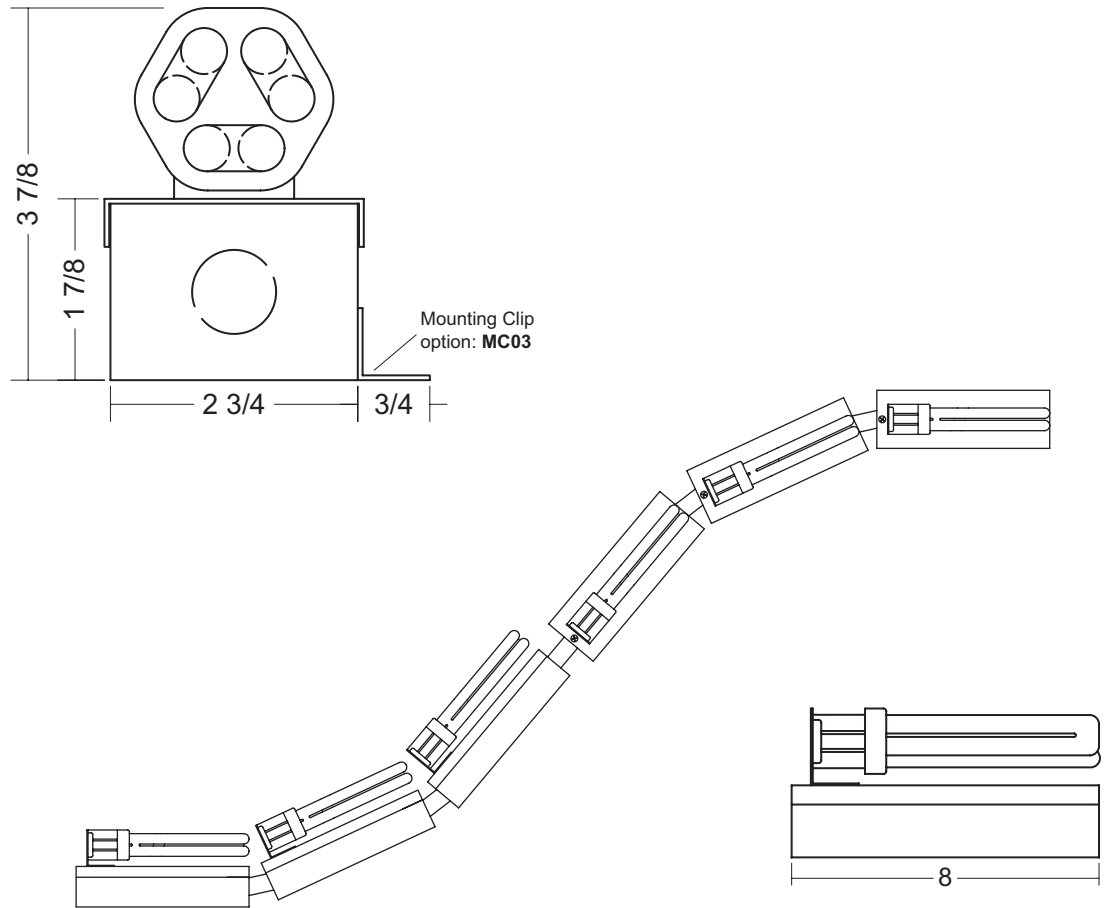
## SYDNEY™

### SYD-42H-EE

#### FIELD CURVABLE

#### 42 WATT TRIPLE TUBE

- .050 aluminum construction
- 42 watt GX24q triple-tube fluorescent, other lamp types and wattages available
- end-to-end lamp models available
- shipped in short, pre-wired runs from the factory which are easily connected together in the field for longer runs
- standard finishes are Satin Clear Anodized or High Reflectivity White, custom colors available
- contact the factory for STD standard and DIM dimming ballast options
- Optional extended connectors available for longer length adjustment between units
- UL and C-UL Listed for Dry and Damp Locations



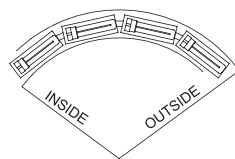
<b>SYD</b>	<b>42H</b>	<b>EE</b>					
Family	Lamp Type	Model	Voltage	Ballast	Run Length	Finish	Options
		EE - end-to-end	120 277 347	EB - electronic DIM_ - dimming* EM_ - emergency* *refer to Options p5 for DIM_ and EM_ options code		HRW - High Reflectivity White SCA - Satin Clear Aluminum CU - Custom (sample may be required)	

#### Job Information

Type

Job Name

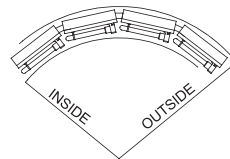
Location



LAMP UP or DOWN

minimum  
inside  
EE - 12"

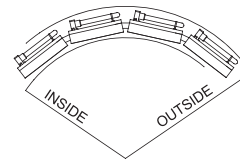
minimum  
outside  
EE - 16"



LAMP INSIDE THE RADIUS

minimum  
inside  
EE - 15"

minimum  
outside  
EE - 19"



LAMP OUTSIDE THE RADIUS

minimum  
inside  
EE - 12"

minimum  
outside  
EE - 16"

This product is protected by  
U.S. Patent 6,702,453

# BIRCHWOOD LIGHTING

714.550.7118 • fax 714.550.7151 • www.BirchwoodLighting.com

NOTE: Specifications and dimensions are subject to change without notice.

