

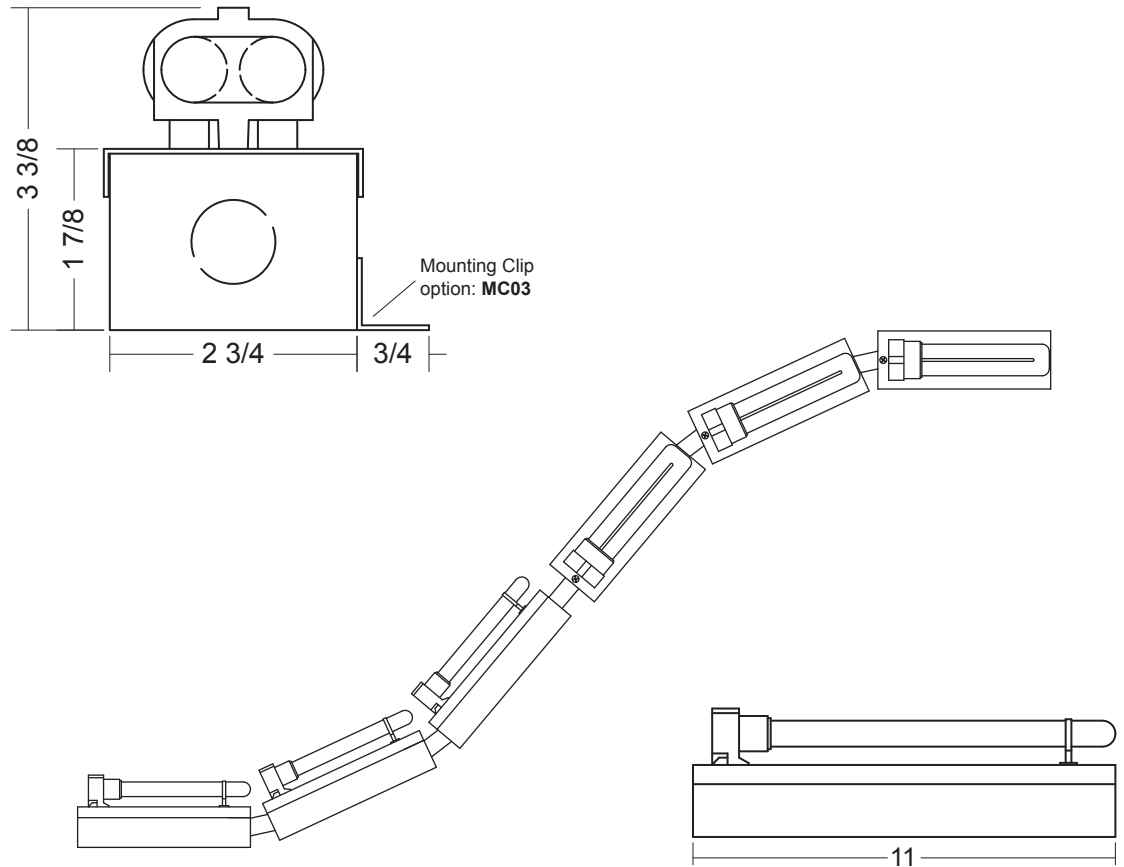
## SYDNEY™

### SYD-18T-EE

#### FIELD CURVABLE

#### 18 WATT TWIN TUBE

- .050 aluminum construction
- 18 watt 2G11 long twin-tube fluorescent, other lamp types and wattages available
- end-to-end and overlapping lamp models available
- shipped in short, pre-wired runs from the factory which are easily connected together in the field for longer runs
- standard finishes are Satin Clear Anodized or High Reflectivity White, custom colors available
- Optional extended connectors available for longer length adjustment between units
- UL and C-UL Listed for Dry and Damp Locations



#### SYD

Family

#### 18T

Lamp Type

#### EE

Model  
 EE - end-to-end  
 OL - overlapping  
 SM - side mount

Voltage  
 120  
 277  
 347

Ballast  
 EB - electronic  
 EM - emergency\*  
\*refer to Options p5 for EM\_ options code

Run Length

Finish  
 HRW - High Reflectivity White  
 SCA - Satin Clear Aluminum  
 CU - Custom (sample may be required)

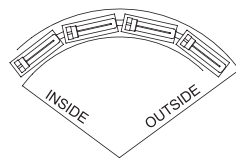
Options

#### Job Information

Type

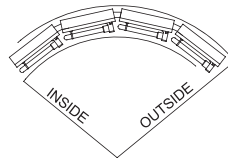
Job Name

Location



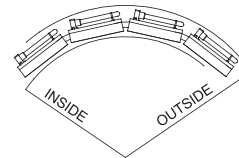
LAMP UP or DOWN

minimum inside	minimum outside
EE - 16"	EE - 20"
OL - 12"	OL - 15"
SM - 16"	SM - 20"



LAMP INSIDE THE RADIUS

minimum inside	minimum outside
EE - 19"	EE - 23"
OL - 12"	OL - 30"
SM - 19"	SM - 23"



LAMP OUTSIDE THE RADIUS

minimum inside	minimum outside
EE - 16"	EE - 20"
OL - 12"	OL - 18"
SM - 16"	SM - 20"

This product is protected by U.S. Patent 6,702,453

# BIRCHWOOD LIGHTING

714.550.7118 • fax 714.550.7151 • www.BirchwoodLighting.com

NOTE: Specifications and dimensions are subject to change without notice.

