

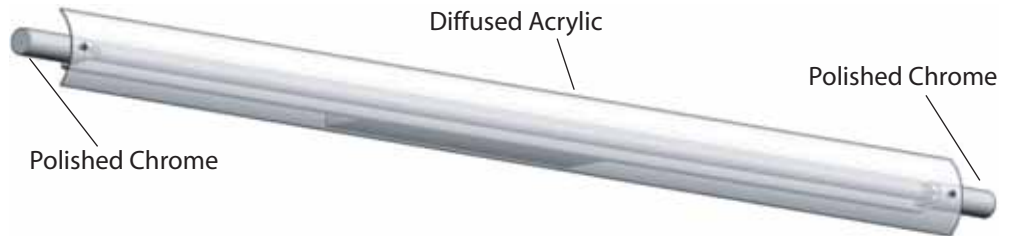
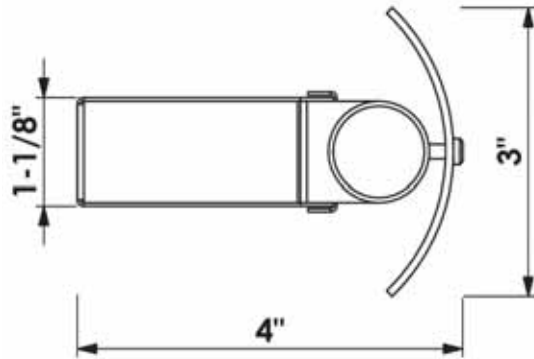
SPECIALTY

LS

LINEAR SCONCE

T5 or T5HO

- 20 gauge steel construction also available in aluminum, add "AL" in "Options" space
- polished chrome finials
- diffused acrylic lens available in various material
- T5 or T5HO linear fluorescent lamp versions
- standard ballasts are integral electronic, consult the factory for available types of regular, dimming and emergency ballasts
- fixtures are available in nominal lengths of 2, 3, 4, 5 and 8 feet
- standard finish is Matte White White powder coat done post production. other custom colors and finishes are also available
- UL and C-UL Listed for Dry and Damp Locations



Job Information	
Type	_____
Job Name	_____
Location	_____

SPC	LS	Voltage	Length	Options										
Family SPC	Lamp Type T5 - Standard T5 T5HO - T5 High Output	120 277	<table border="1"> <thead> <tr> <th>T5</th> <th>T5HO</th> </tr> </thead> <tbody> <tr> <td>114 - 28 3/8"</td> <td>124 - 28 3/8"</td> </tr> <tr> <td>121 - 40 1/8"</td> <td>139 - 40 1/8"</td> </tr> <tr> <td>128 - 52"</td> <td>154 - 52"</td> </tr> <tr> <td>135 - 63 7/8"</td> <td>180 - 63 7/8"</td> </tr> </tbody> </table>	T5	T5HO	114 - 28 3/8"	124 - 28 3/8"	121 - 40 1/8"	139 - 40 1/8"	128 - 52"	154 - 52"	135 - 63 7/8"	180 - 63 7/8"	Finish MW - High Reflectivity White AS - Silver CU - Custom (please specify)
T5	T5HO													
114 - 28 3/8"	124 - 28 3/8"													
121 - 40 1/8"	139 - 40 1/8"													
128 - 52"	154 - 52"													
135 - 63 7/8"	180 - 63 7/8"													
	Model LS - Linear Sconce	Acrylic* SIW - Satin Frosted White (54% transmission) SIC - Satin Frosted Clear (92% transmission) CU - Custom <i>*consult factory for other acrylic lens options.</i>	Ballast EB - electronic DIM - dimming EM - emergency consult factory for available STD, DIM and EM options											

BIRCHWOOD LIGHTING

714.550.7118 • fax 714.550.7151 • www.BirchwoodLighting.com

NOTE: Specifications and dimensions are subject to change without notice.

