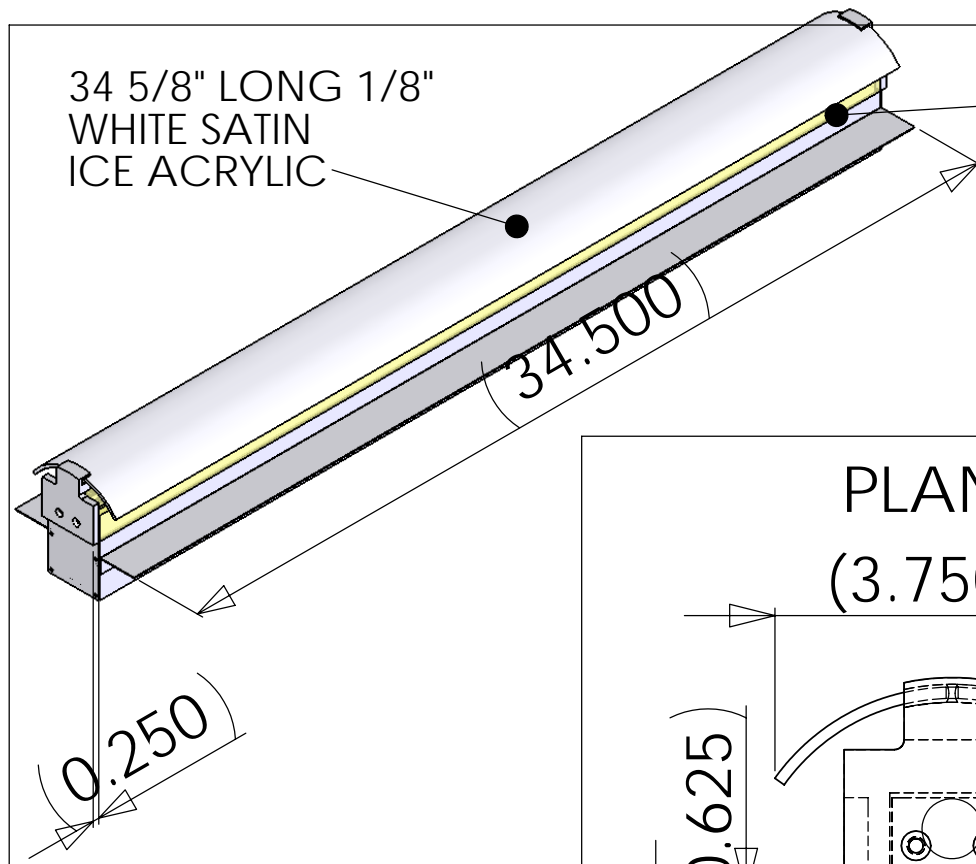
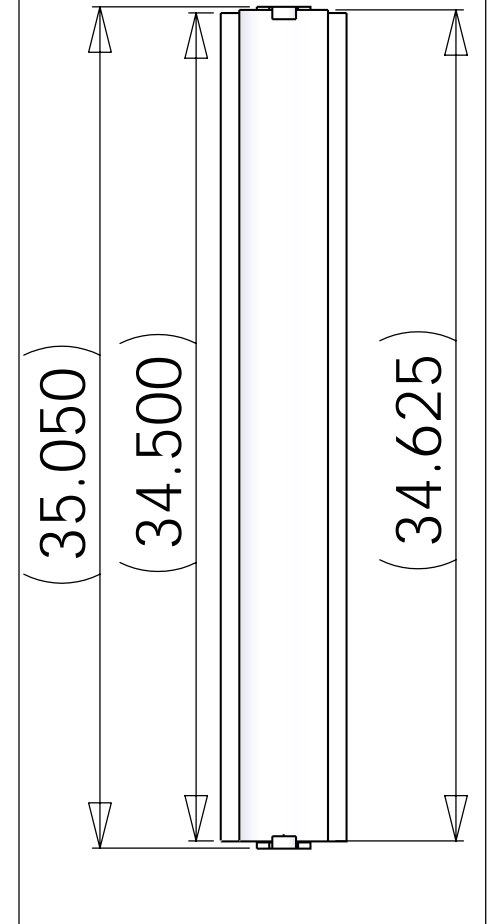


34 5/8" LONG 1/8" WHITE SATIN ICE ACRYLIC

FROSTED CLEAR ACRYLIC SIDES

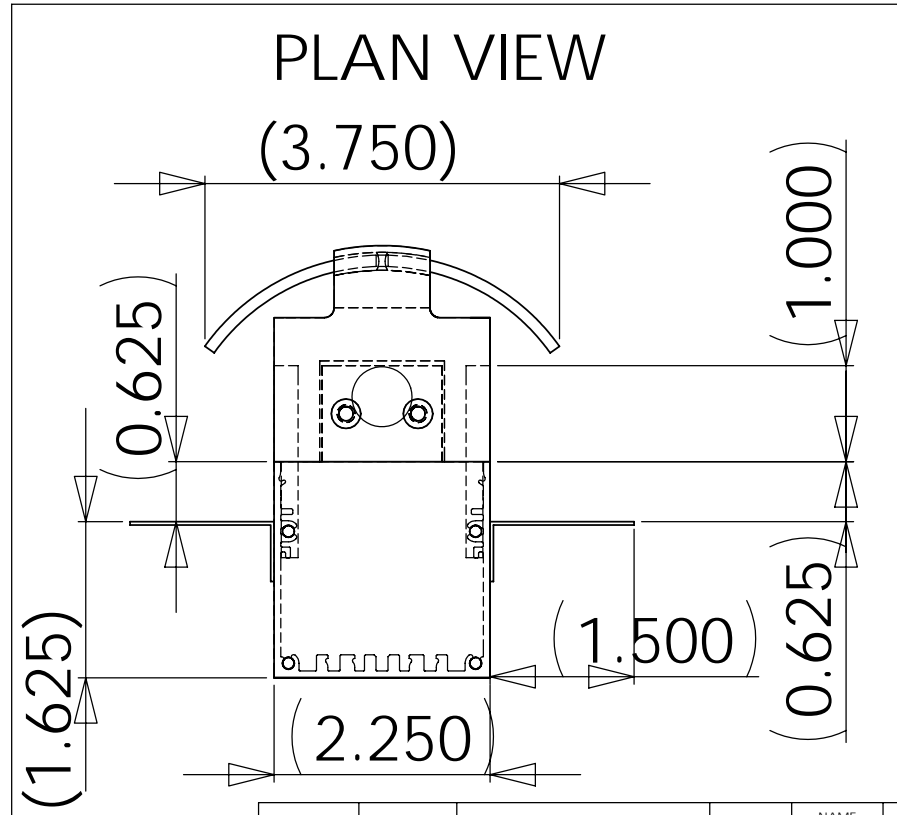


ELEVATION VIEW



PLAN VIEW

(3.750)



PROPRIETARY AND CONFIDENTIAL
 THE INFORMATION CONTAINED IN THIS DRAWING IS THE SOLE PROPERTY OF BIRCHWOOD LIGHTING, INC. ANY REPRODUCTION IN PART OR AS A WHOLE WITHOUT THE WRITTEN PERMISSION OF BIRCHWOOD LIGHTING INC. IS PROHIBITED.

		DIMENSIONS ARE IN INCHES		NAME	DATE
		TOLERANCES:		DRAWN	STEVE
		FRACTIONAL ±		CHECKED	
		BEND RADIUS = .030"		ENG APPR.	
		TWO PLACE DECIMAL ±		MFG APPR.	
		THREE PLACE DECIMAL ±		Q.A.	
		MATERIAL --		COMMENTS:	
NEXT ASSY	USED ON	FINISH --			
APPLICATION		DO NOT SCALE DRAWING			

BIRCHWOOD LIGHTING, INC.

LIVERMORE RESIDENCE
 5-20-09

SIZE	DWG. NO.	REV.
A		
SCALE:1:2	WEIGHT:	SHEET 1 OF 1