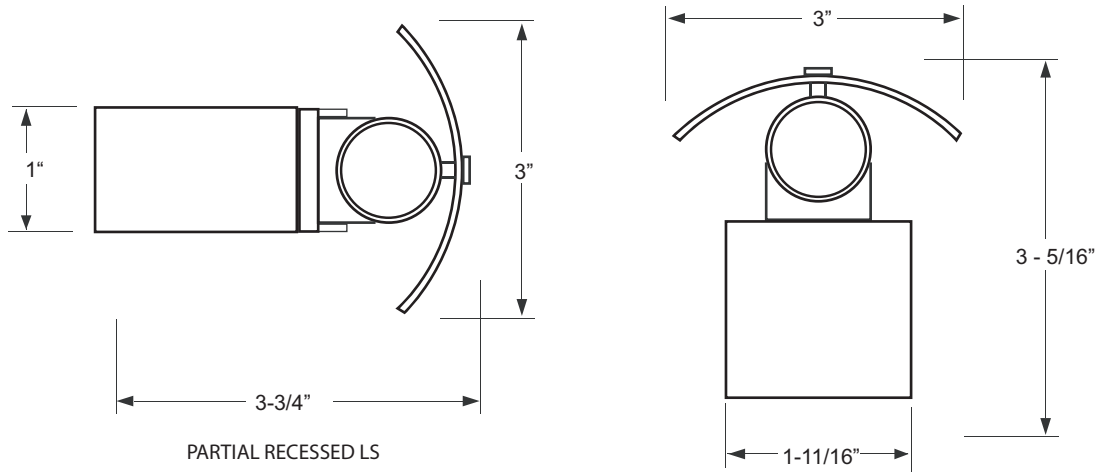


LINEAR SCONCE



SPECIALTY

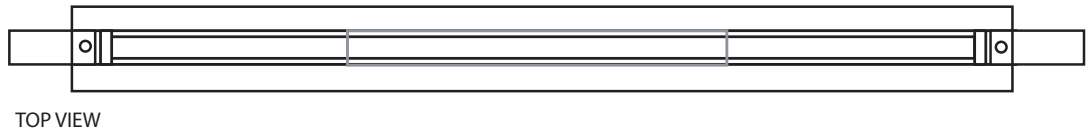
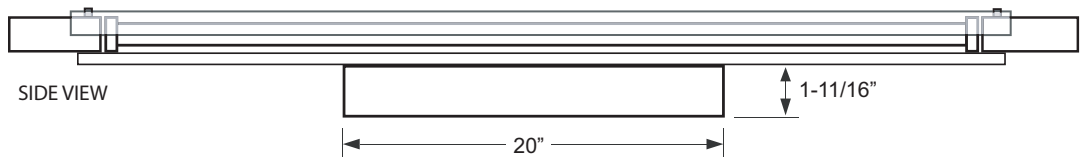
LS

LINEAR SCONCE

T5 or T5HO

- Extruded aluminum housing with machined or stamped endcaps
- polished chrome finials
- diffused acrylic lens available in various material
- T5 or T5HO linear fluorescent lamp versions
- Surface mount and Partially recessed mounting options
- standard ballasts are integral electronic, consult the factory for available types of regular, dimming and emergency ballasts
- fixtures are available in nominal lengths of 2, 3, 4, 5 and 8 feet
- standard finish is Matte White White powder coat done post production. other custom colors and finishes are also available
- UL and C-UL Listed for Dry and Damp Locations

PARTIAL RECESSED LS



SURFACE MOUNT LS



SPC		LS		Voltage		Length		Options	
Family SPC		Mounting: SM- surface mount PREC- partial recessed		120	277	T5 114 - 28 3/8" 121 - 40 1/8" 128 - 52" 135 - 63 7/8"	T5HO 124 - 28 3/8" 139 - 40 1/8" 154 - 52" 180 - 63 7/8"	Ballast EB - electronic DIM - dimming EM - emergency	Finish MW - High Reflectivity White AS - Silver CU - Custom (please specify)
Lamp Type T5 - Standard T5 T5HO - T5 High Output	Model LS - Linear Sconce								
				Acrylic* SIW - Satin Frosted White (54% transmission) SIC - Satin Frosted Clear (92% transmission) CU - Custom					

*consult factory for other acrylic lens options.

Job Information

Type: _____

Job Name: _____

Location: _____

BIRCHWOOD LIGHTING

714.550.7118 • fax 714.550.7151 • www.BirchwoodLighting.com

NOTE: Specifications and dimensions are subject to change without notice.



SPECIALTY-LS