

TOMCUSTOMCUST



BIRCHWOOD LIGHTING

CUSTOM

One thing that separates Birchwood Lighting from other lighting manufacturers is our capability to modify any of our standard fixtures. With a sheet metal shop full of state of the art fabricating equipment, we have the capability to change sizes, shapes and configurations. We also do custom anodizing, post-production powder coating and painting which allows us to supply just about any finish required for a particular application.

If you see something close to what you want, but not quite, contact the factory or your local sales rep. Chances are that we can modify one of our standard fixtures to meet your need.

Birchwood Lighting also specializes in manufacturing custom luminaires unlike anything seen in our catalog. We will work with you from the inception, into the design phase and through manufacturing and delivery.

Lamp Types

Birchwood Lighting manufactures custom and modified luminaires for all types of fluorescent lamps. Whether it is a linear T2, T5, T5HO or T8 lamp, or a twin, quad or hex tube compact fluorescent lamp, Birchwood Lighting can build a luminaire for it. We also specialize in several types of incandescent lamps including medium base and intermediate base line voltage as well as several low-voltage types.

Materials

With our fully equipped sheet metal shop, we have the capability to fabricate luminaires from steel or aluminum. We also manufacture custom and standard acrylic diffusers and lenses. Acrylic materials that we use include prismatic, clear, frosted and many different colors. Several styles of louvers, baffles and wire guards are also available with the Custom Series.

Finishes

Standard finishes that we work with everyday include High Reflectivity White, Satin Anodize and Large Pattern Galvanize. We also can powder coat or wet paint thousands of different colors. Some fixtures can also be anodized in different metal finishes like Bright Gold, Bronze and Specular.

Photometrics

Birchwood Lighting has the capability to furnish a complete photometric report, including an IES file, for any fixture in our catalog. This service is extended to any custom designed light fixture. The benefit of this is that we will know if the designed fixtures will do what is required before we produce them for the job. If not, we can change the design to get the required output. This saves time and money for everyone.

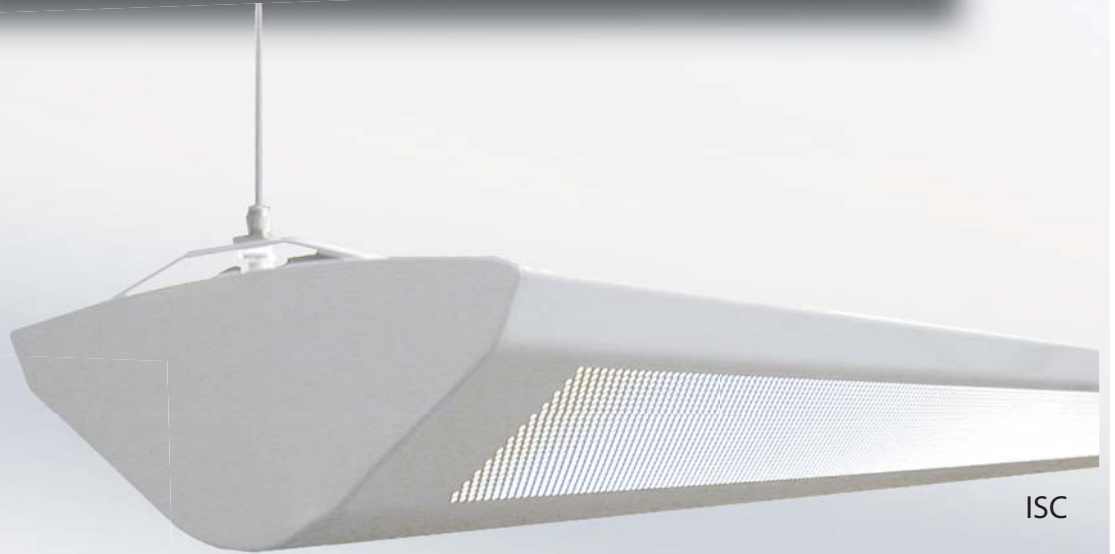
CUSTOM

TO SUIT YOUR NEEDS

- Modify an existing fixture or design from scratch
- Steel, aluminum or acrylic
- Standard powder coat colors applied post production
- Custom finishes and colors
- Linear or twin-tube fluorescent or incandescent lamp types
- Cable or stem hanging
- Wall brackets
- Complete photometric reports
- Prototypes available for approval



CUSTOM

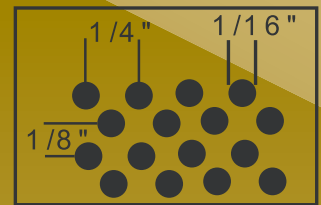
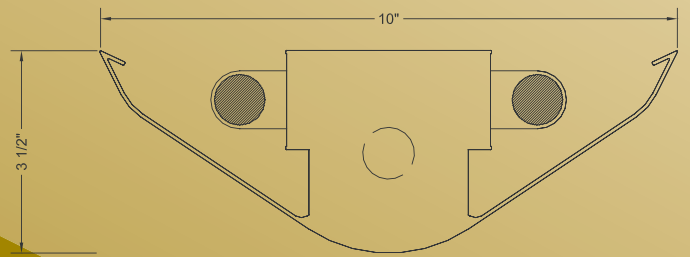
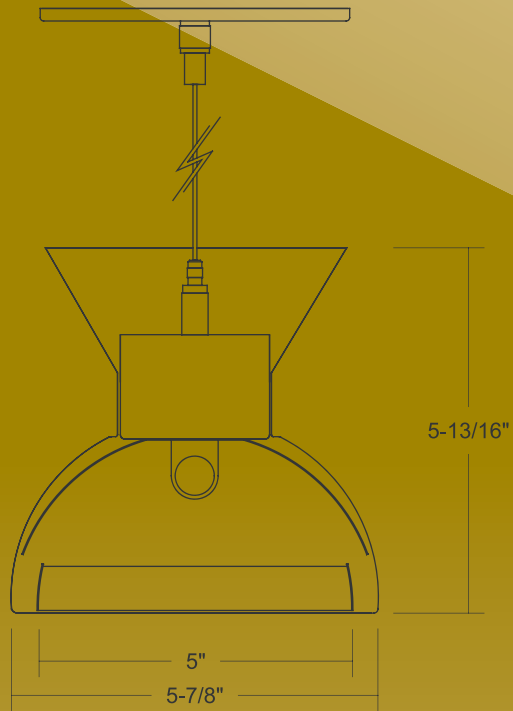


ISC

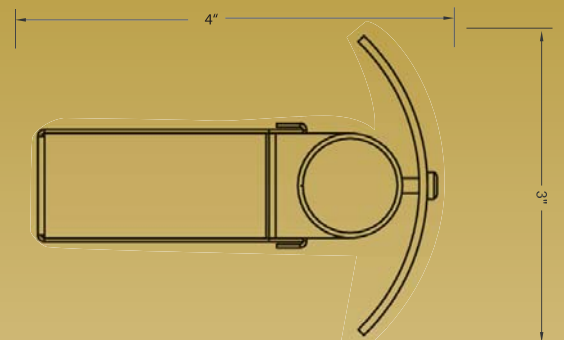
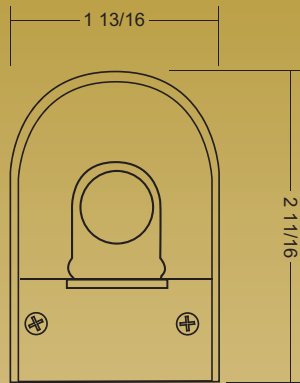
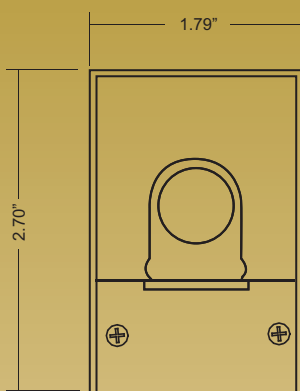


560 ACW





Pattern of Perforation



P.714.550.7118 · F.714.550.7151

BirchwoodLighting.com

