

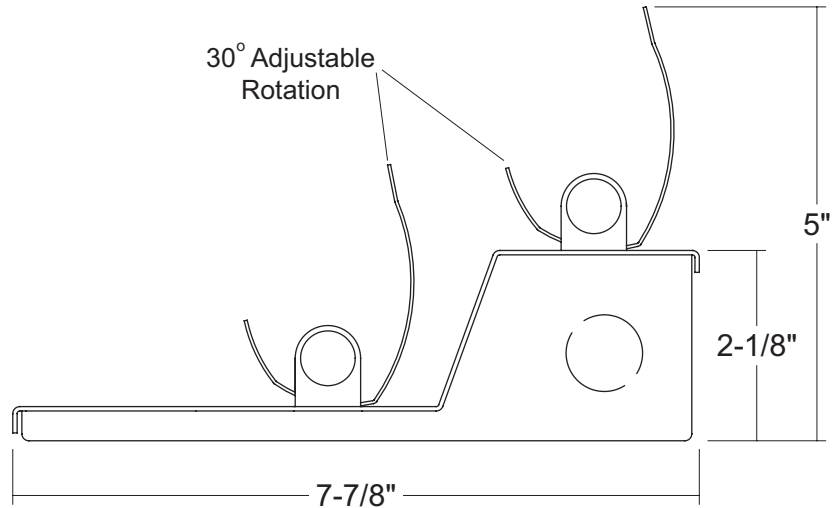
SPECIALTY

BBCV

BB COVE

2T5, 2T5HO or 2T8

- .050 aluminum construction
- may be used as single units or together for longer runs using an aligned joining system
- 2T5, 2T5HO or 2T8 linear fluorescent lamp versions
- reflectors are adjustable to a total rotation of 30 degrees
- reflectors are fabricated from highly reflective specular aluminum.
- other options of baffles, louvers and lenses are available
- standard ballasts are integral electronic, consult the factory for available types of regular, dimming and emergency ballasts
- fixtures are available in nominal lengths of 2, 3, 4, 5 and 8 feet
- standard finish is High Reflectivity White powder coat done post production, decorative Large Pattern Galvanize and other custom colors and finishes are also available
- UL and C-UL Listed for Dry and Damp Locations



BBCV

Model
BBCV

Lamp Type
2T8 - 2-lamp T8
2T5 - 2-lamp Standard T5
2T5HO - 2-lamp T5 High Output

Voltage
120
277
347
UNV

Ballast
EB - electronic
DIM - dimming
EM - emergency
consult factory for available STD, DIM and EM options

Length
2'
3'
4'
5'

Finish
HRW - High Reflectivity White
LPG - Large Pattern Galvanize
CU - Custom (please specify)

Options

Job Information

Type

Job Name

Location

BIRCHWOOD LIGHTING

714.550.7118 • fax 714.550.7151 • www.BirchwoodLighting.com

NOTE: Specifications and dimensions are subject to change without notice.

