

## SPECIALTY

**560-IB-AC-TDEC**  
**560-IB-AC-SQEC**

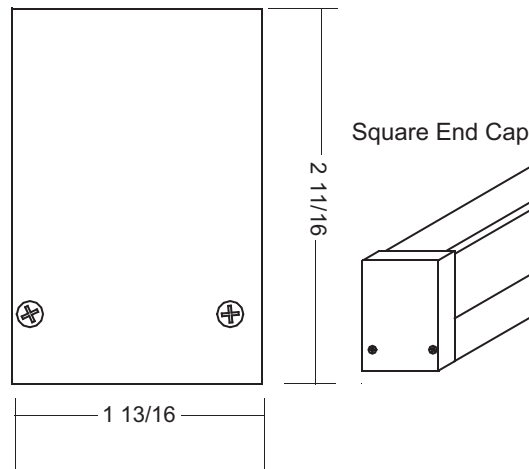
**TEAR DROP END CAP**  
**SQUARE END CAP**

T5, T5HO or T8 LINEAR LAMP

- Aluminum extruded housing
- milled aluminum end caps for precise fit
- fixtures are available in nominal lengths of 1, 2, 3, 4, and 8 feet. see part numbers to the right for actual fixture lengths
- single T8, T5 or T5HO fluorescent, other lamp types available
- variety of acrylic lens shapes, materials and finishes available
- standard ballasts are integral electronic, consult Options p5 for available types of dimming and emergency ballasts
- powder coat done post production for strong rust inhibiting protection
- standard finish is Anodized Silver other finishes are also available
- surface or pendant mount
- UL and C-UL Listed for Dry and Damp Locations



Tear Drop End Cap



Square End Cap

ACTUAL FIXTURE LENGTHS					
	T8	T5/T5HO		T2	
113	12 1/4"	108	12 3/8"	106	9 1/4"
117	24 1/4"	114	22 11/16"	108	13 1/4"
125	36 1/4"	121	34 1/2"	111	17 1/4"
132	48 1/4"	128	46 5/16"	113	21 1/4"
232	96 1/4"	228	92 5/16"	213	42 1/4"

(contact the factory for additional lengths)

## 560-IB

**Model**  
560-IB

**Lamp Type**  
T2  
T5  
T5HO  
T8

**Acrylic**  
ACSIW - Satin Ice Frosted White (54% transmission)  
ACSIC - Satin Ice Frosted Clear (92% transmission)  
ACC - Smooth Clear (95% transmission)

*\*consult factory for other acrylic lens options.*

**Type**  
TDEC - Tear Drop End Cap  
SQEC - Square End Cap

**Voltage**  
120  
277  
347  
UNV

**Ballast**  
EB - electronic  
DIM\_\_ - dimming\*  
EM\_\_ - emergency\*  
\*refer to Options p5 for DIM\_\_ and EM\_\_ options code

**Length**  
use length code in chart above

**Finish**  
AS - Anodized Silver  
HRW - High Reflectivity White  
CU - Custom (please specify)

**FEED POINT**  
BK - back feed with hole 6" in from end of fixture  
1END - fitting on one end of fixture only  
2END - fitting on both ends of fixture  
PDMT - stem pendant mount 24" stems standard  
CSS - cable suspension system  
CU - custom feed point (please specify)

consult the factory for other available conduit or power feed options

### Job Information

Type \_\_\_\_\_

Job Name \_\_\_\_\_

Location \_\_\_\_\_

# BIRCHWOOD LIGHTING

714.550.7118 • fax 714.550.7151 • www.BirchwoodLighting.com

NOTE: Specifications and dimensions are subject to change without notice.

