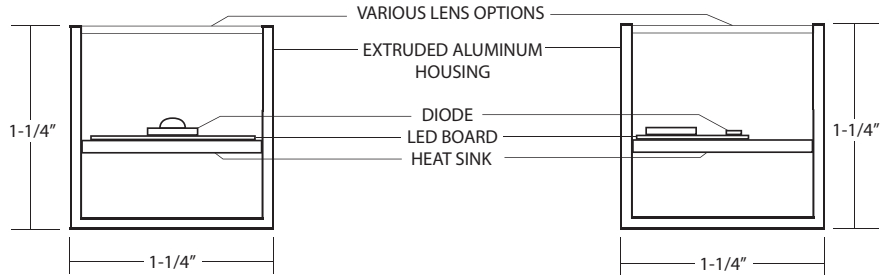


## kelsey-125 LED



**-HF2XB-S4**  
(11.5" board)

**-HF2N**  
**-HF2N-H**  
(10" & 4" boards)

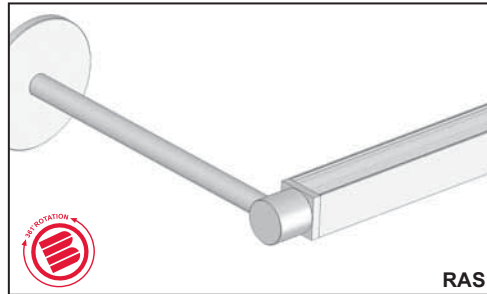
### MOUNTING OPTIONS

#### 1.25" SQUARE FIXTURE

##### MULTIPLE FIXTURE MOUNTING OPTIONS

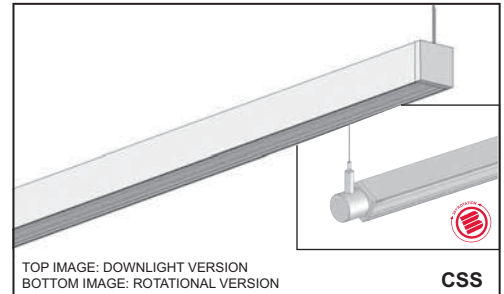
DIRECT, INDIRECT, WALL WASH, ROTATIONAL STACK LIGHTING

- light engines available:
  - HF2N High Lumen LED emitters
  - HF2N-H Half populated
  - HF2XB-S4 high lumen LED emitters
- 1-1/4" diameter extruded aluminum housing
  - excellent heat sinking - extends lamp life - improves efficiency
- 1/4" thick precision machined aluminum end caps
- rotating arm bracket, cable suspended, rotating cable suspended, and stack mounting options
- 36° rotation with positive stop on rotating versions
- variety of lensing options
- satin anodized clear finish is standard - a variety of other standard and custom finishes are available
- remote driver
- UL and C-UL listed for dry and damp locations



**RAS**

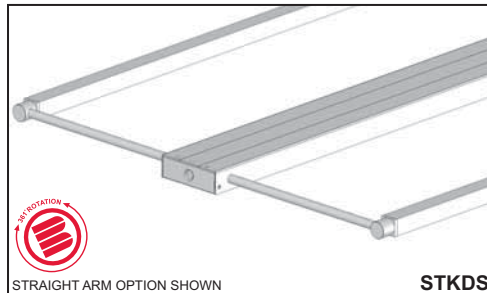
ROTATING ARM SYSTEM



**CSS**

CABLE SUSPENSION SYSTEM

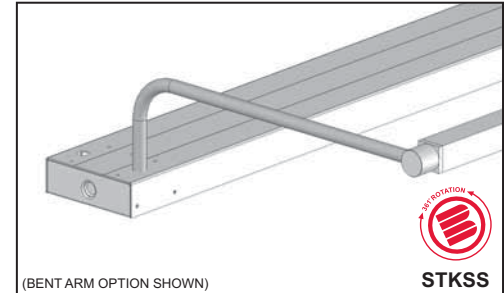
TOP IMAGE: DOWNLIGHT VERSION  
BOTTOM IMAGE: ROTATIONAL VERSION



**STKDS**

STACK DOUBLE SIDED

STRAIGHT ARM OPTION SHOWN



**STKSS**

STACK SINGLE SIDED

(BENT ARM OPTION SHOWN)

### KEL-LED 125

**Series**  
KEL - LED Kelsey  
1.25" Square  
LED Fixture

**Model**  
125

#### Mounting\*

**RAS** - Rotating Arm System  
**CSS** - Cable Suspension System  
**STKSS** - Single Sided Stack System  
**STKDS** - Double Sided Stack System  
**SM** - surface mount

\*ALL mounting options require further specification - See following pages

#### LED Options:

**-HF2N** -3000  
**-HF2N-H** -3500  
**-HF2XB-S4** -4000

#### Color Temp

**-3000**  
**-3500**  
**-4000**

#### Nominal Length

1 - 1'  
2 - 2'  
3 - 3'  
4 - 4'  
5 - 5'  
CU - Custom\*

\*Consult Factory  
\*\*Specify length in nominal feet

#### Voltage

1 - 120V  
2 - 277V

#### Finish

**SC** - Satin Clear  
**BC** - Bright Clear  
**FB** - Flat Black  
**CU** - Custom\*

\*Consult Factory

#### Options\*

\*Specify or consult factory

#### Lens

**NL** - No Lens  
**SIC** - Satin Ice Clear  
**SIW** - Satin Ice White  
**LP** - Linear Prismatic\*\*  
**CU** - Custom\*

\*Consult Factory  
\*\*Non-stocked item - longer lead time

#### Job Information

Type: \_\_\_\_\_

Job Name: \_\_\_\_\_

Location: \_\_\_\_\_

0110

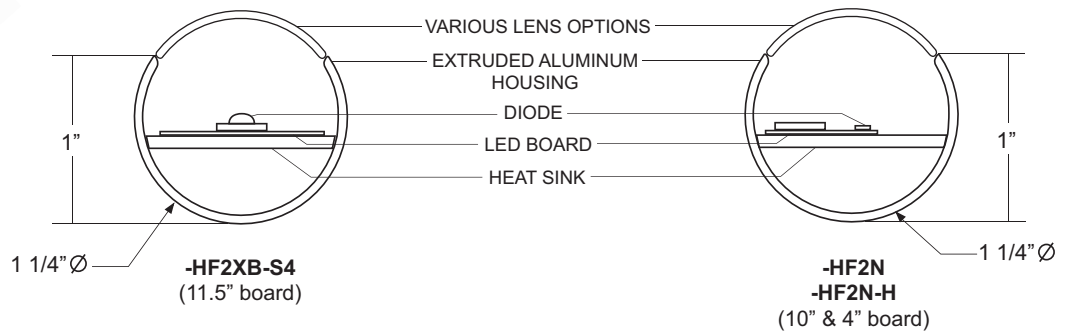
## BIRCHWOOD LIGHTING

714.550.7118 • fax 714.550.7151 • www.BirchwoodLighting.com

NOTE: Specifications and dimensions are subject to change without notice.



## hailey - 125 LED



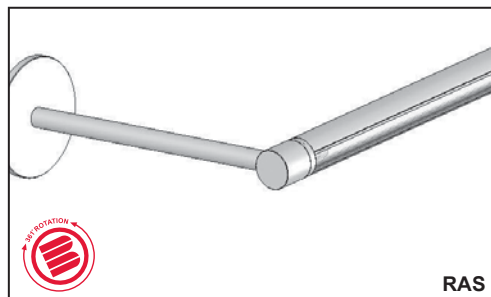
### 1.25" ROUND FIXTURE

#### MULTIPLE FIXTURE MOUNTING OPTIONS

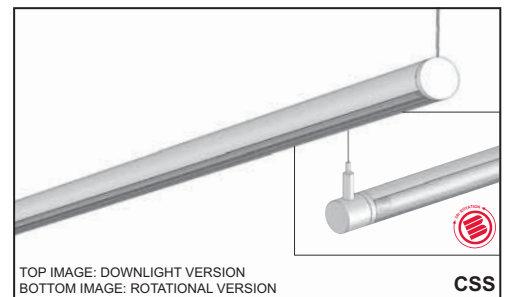
DIRECT, INDIRECT, WALL WASH, ROTATIONAL STACK LIGHTING

- light engines available:
  - HF2N High Lumen LED emitters
  - HF2N-H Half populated
  - HF2XB-S4 high lumen LED emitters
- 1-1/4" diameter extruded aluminum housing
  - excellent heat sinking - extends lamp life - improves efficiency
- 1/4" thick precision machined aluminum end caps
- rotating arm system, cable suspended, rotating cable suspended, and stack mounting options
- 361° rotation with positive stop on rotating versions
- variety of lensing options
- satin anodized clear finish is standard - a variety of other standard and custom finishes are available
- remote driver
- UL and C-UL listed for dry and damp locations

### MOUNTING OPTIONS

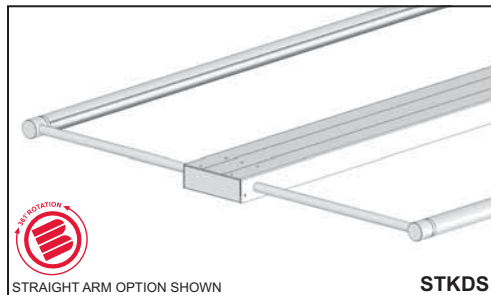


RAS ROTATING ARM SYSTEM

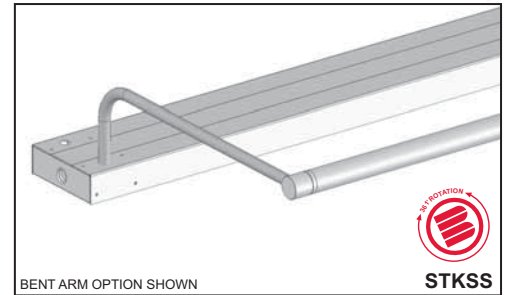


TOP IMAGE: DOWNLIGHT VERSION  
BOTTOM IMAGE: ROTATIONAL VERSION

CSS CABLE SUSPENSION SYSTEM



STKDS STACK DOUBLE SIDED



BENT ARM OPTION SHOWN

STKSS STACK SINGLE SIDED

### HAI-LED 125

**Series**  
HAI - LED Hailey  
1.25" Round  
LED Fixture

**Model**  
125

**Mounting\***  
RAS - Rotating Arm System  
CSS - Cable Suspension System  
STKSS - Single Sided Stack System  
STKDS - Double Sided Stack System  
SM - surface mount

\*ALL mounting options require further specification - See following pages

**LED Options:**  
-HF2N (10w/ ft)  
-HF2N-H (5w/ ft)  
-HF2XB-S4 (3.9w/ ft)

**Color Temp**  
-3000  
-3500  
-4000

**Nominal Length**  
1 - 1'  
2 - 2'  
3 - 3'  
4 - 4'  
5 - 5'

**Voltage**  
1 - 120V  
2 - 277V

**Finish**  
SC - Satin Clear  
BC - Bright Clear  
FB - Flat Black  
CU - Custom\*

\*Consult Factory

\*Consult Factory  
\*\*Specify length in nominal feet

\*\*\*Driver size(s) and housing(s) dependent upon run length

\*Drivers available up to 96 w - see driver housing page

**Options\***  
\*Specify or consult factory

**Lens**  
NL - No Lens  
SIC - Satin Ice Clear  
SIW - Satin Ice White  
LP - Linear Prismatic\*\*  
CU - Custom\*

\*Consult Factory  
\*\*Non-stocked item - longer lead time

### Job Information

Type: \_\_\_\_\_

Job Name: \_\_\_\_\_

Location: \_\_\_\_\_

## BIRCHWOOD LIGHTING

714.550.7118 • fax 714.550.7151 • www.BirchwoodLighting.com

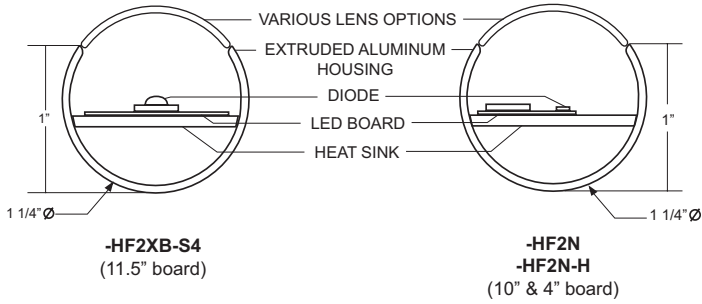
NOTE: Specifications and dimensions are subject to change without notice.



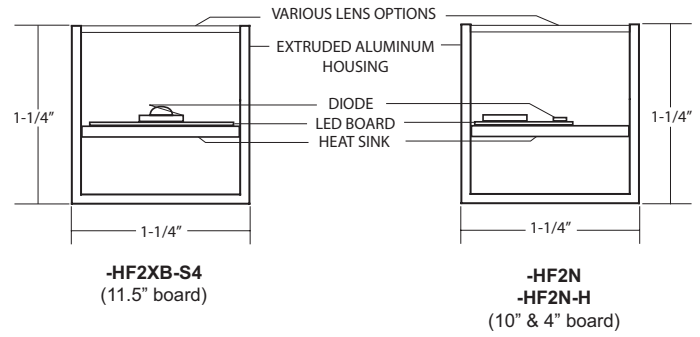
HAI-LED



### hailey - 125



### kelsey-125



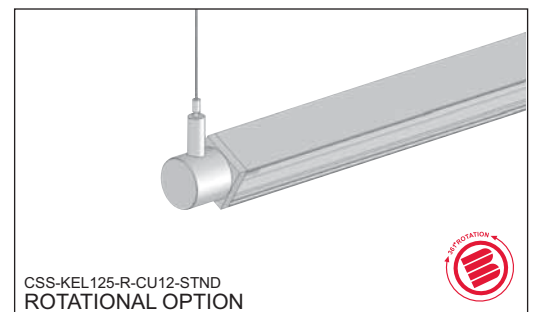
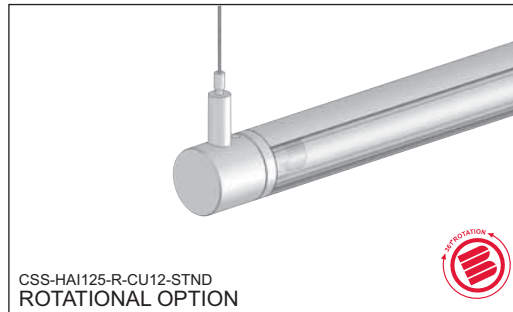
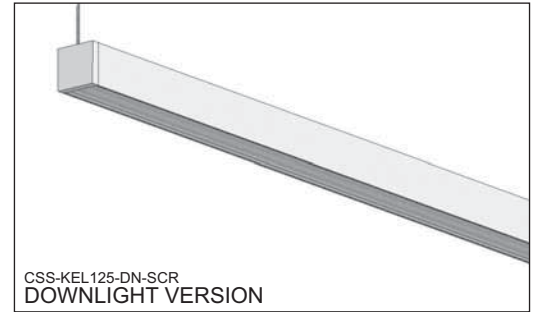
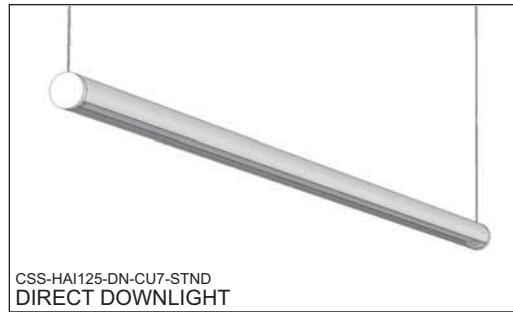
### CSS OPTIONS

#### CSS

#### CABLE SUSPENSION SYSTEM

DIRECT, INDIRECT, WALL WASH, ROTATIONAL

- 1/4" thick precision machined aluminum end caps
- rotational - wall wash - version rotates 36° with positive stop
- standard canopy mounting options - custom shapes, sizes and finishes available - consult factory
- can be installed without a canopy
- standard 1/16" diameter stainless steel cable. Consult factory for other cable diameters
- cables come in standard lengths and are field adjustable - consult factory for other options
- power cords available in white, black, gray, and braided - consult factory for other options
- add "CSS" under "Mounting" section



#### CSS

<b>Mounting</b> CSS - Cable Suspended System	<b>Fixture</b> HAI125 - 1.25" Diameter fixture KEL125 - 1.25" Size fixture	<b>Orientation</b> UP - Uplight DN - Downlight R - Rotational	<b>Continuous Run Option**</b> SCR - Seamless Continuous Run DCR - Disc Continuous Run RCR - Rotational Continuous Run	<b>Cable Length</b> 36 - 36" 72 - 72" 96 - 96" CU - Custom* (Specify length in inches - ie: CU148)	<b>Mounting Options</b> STND - Bracket bar w/5" round Canopy NC - No Canopy - 1/4-20 Side Exit Cable Gripper - (1/4-20 stud provided by others) CU - Custom*	<b>Canopy Finish (Powder Coat)</b> MW - Matte White HRW - High Reflectance White SL - Silver FB - Flat Black CU - Custom*	<b>Power Cord Color</b> W - White B - Black G - Gray SC - Braided Cable CU - Custom*	<b>End Cap / Disc / Arm / Knuckle: Anodized Finish</b> MF - Match Fixture SC - Satin Clear BC - Bright Clear RM - Raw Machined CU - Custom*
---	--	--	---	--	---	--	---	--

\*\*For individual fixtures, leave blank

\*Consult factory for all Custom (CU) options

#### Job Information

Type: \_\_\_\_\_

Job Name: \_\_\_\_\_

Location: \_\_\_\_\_

## BIRCHWOOD LIGHTING

714.550.7118 • fax 714.550.7151 • www.BirchwoodLighting.com

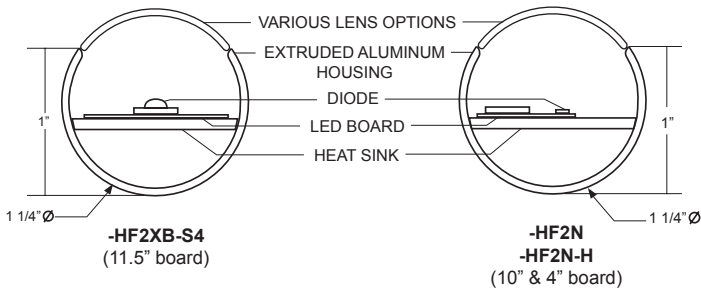
NOTE: Specifications and dimensions are subject to change without notice.



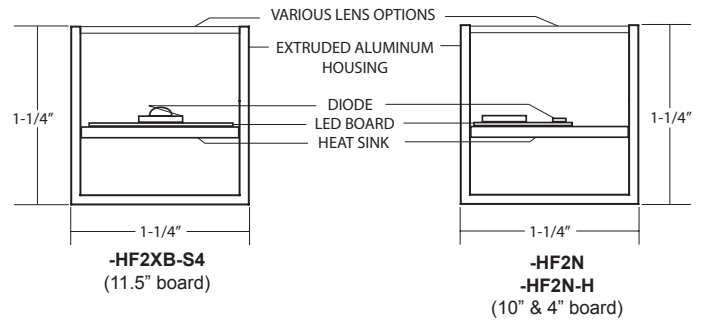


## Rotating Arm System (RAS)

### hailey - 125



### kelsey-125



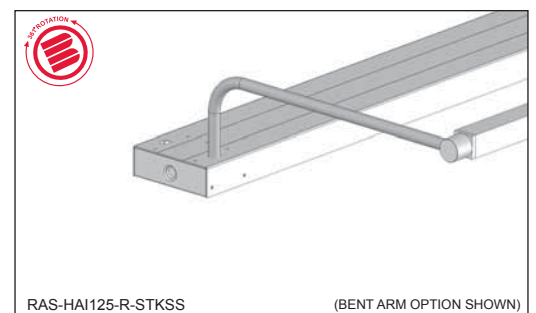
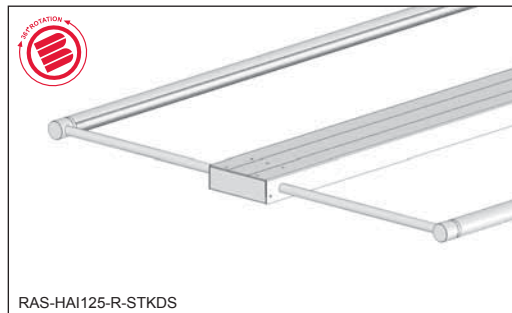
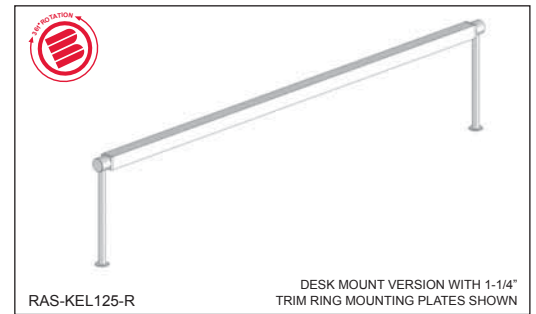
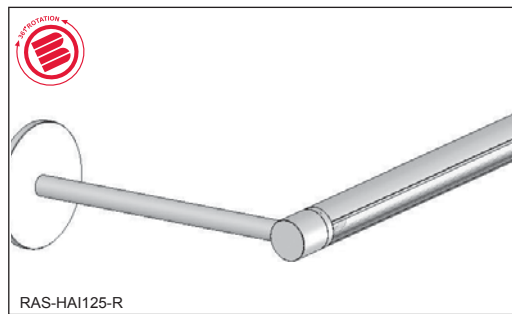
## RAS MOUNTING OPTIONS

### RAS MOUNTING SYSTEM

#### ROTATING ARM SYSTEM

#### DIRECT, INDIRECT, WALL WASH

- 36° rotation with positive stop
- 1/4" thick precision machined aluminum end caps
- 1-1/4" diameter precision machined aluminum knuckles
- 3-3/4" cover plate with no visible hardware for clean finished look
- 5/8" dia. aluminum arms in standard and custom lengths and sizes available - consult factory
- mounting and cover plates are available in several standard sizes and finishes - custom shapes are available consult factory
- various standard and custom finishes available
- single fixture and continuous run applications
- add "RAS" under the "Mounting" section of the base fixture



### RAS

**Mounting**  
RAS - Rotating Arm System

**Fixture**  
HAI125 - 1.25" Diameter fixture  
KEL125- 1.25" Size fixture

**Arm Length\*\***  
6 - 6"  
9 - 9"  
12 - 12"  
18 - 18\*\*\*\*  
CU - Custom\*

\*Specify length in inches - Consult factory for lengths over 18"  
\*\*Length is measured from mounting surface to the knuckle center (see next page)  
\*\*\*Consult factory for use with HAI325

**Mounting Plate**  
NMP - No Mounting Plate\*\*  
3OMP - 3-O J-Box Mounting Plate - (Galvanized Steel)  
CMP - Custom Mounting Plate\*

\*\*Not recommended for wall mount applications

**Cover Plate**  
NCP - No Cover Plate\*\*  
1TR - 1-1/4" Trim Ring\*\*  
4CP - 4" Round Cover Plate\*\*\*  
CCP - Custom Cover Plate\*

\*\*To be used with NMP Mounting Plate option  
\*\*\*To be used with 3OMP Mounting Plate option

**End Cap / Arm Knuckle Anodized Finish**  
MF - Match Fixture  
SC - Satin Clear  
BC - Bright Clear  
FB - Flat Black  
RM - Raw Machined  
CU - Custom\*

**Options\***

\*Consult factory for all Custom (CU) options

### Job Information

Type: \_\_\_\_\_

Job Name: \_\_\_\_\_

Location: \_\_\_\_\_

## BIRCHWOOD LIGHTING

714.550.7118 • fax 714.550.7151 • www.BirchwoodLighting.com

NOTE: Specifications and dimensions are subject to change without notice.



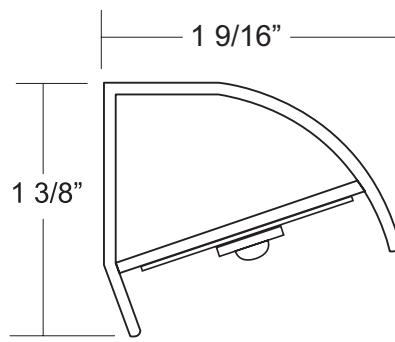
## 510 LED DISPLAY

### QUARTER ROUND

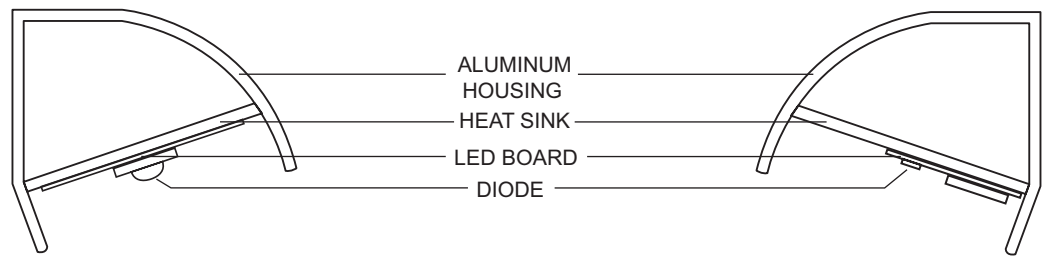
### HIGH LUMEN LED EMITTERS

### RB - REMOTE BALLAST

- light engines available:
  - HF2N High Lumen LED emitters
  - HF2N-H Half populated
  - HF2XB-S4 high lumen LED emitters
- extruded aluminum housing
  - excellent heat sinking - extends lamp life - improves efficiency
- all display fixtures come standard with 9'-0" wire leads
- satin anodized clear finish is standard - a variety of other standard and custom finishes and powdercoated finishes are available
- remote driver
- mounting options, end caps, and acrylic diffusers also available
- UL and C-UL listed for dry and damp locations

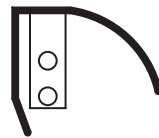


510-LED dimensions

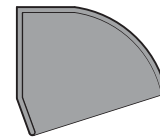


-HF2XB-S4  
(11.5" boards)

-HF2N  
(10" & 4" boards)



Flush-Mount / Wood-End  
Mounting Clip  
option: **MC01**



Smooth Finish  
Matching Solid End Cap  
option: **EC510**

### 510-LED

560-LED

**LED Options:**  
-HF2N  
(10w/ ft)  
-HF2N-H  
(5w/ ft)  
-HF2XB-S4  
(3.9w/ ft)

**Color Temp**  
-3000  
-3500  
-4000

**Nominal Length**  
1 - 1'  
2 - 2'  
3 - 3'  
4 - 4'  
5 - 5'

CU - Custom\*  
CR\_\*\* - Continuous Run\*

\*Consult Factory  
\*\*Specify length in nominal feet

**Voltage**  
1 - 120V  
2 - 277V

**Mounting**  
-MC01  
-Custom\*

**Lens**

NL - No Lens  
SIC - Satin Ice Clear  
SIW - Satin Ice White  
LP - Linear Prismatic\*\*  
CU - Custom\*

\*Consult Factory  
\*\*Non-stocked item - longer lead time

**Feed Type**

EFR - End Feed Right  
EFL - End Feed Left  
FFR - Front Feed Right  
FFL - Front Feed Left  
CU - custom (supply sketch)  
\*Right" is shown above

**Finish**  
SC - Satin Clear  
BC - Bright Clear  
FB - Flat Black  
CU - Custom\*

\*Consult Factory

**Options\***

\*Specify or consult factory

### Job Information

Type: \_\_\_\_\_

Job Name: \_\_\_\_\_

Location: \_\_\_\_\_

## BIRCHWOOD LIGHTING

714.550.7118 • fax 714.550.7151 • www.BirchwoodLighting.com

NOTE: Specifications and dimensions are subject to change without notice.



DISPLAYS 510-LED



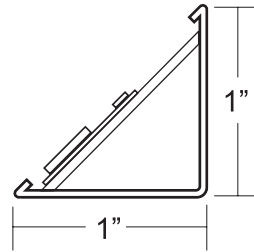
## 595 LED - DISPLAY

### ANGLED

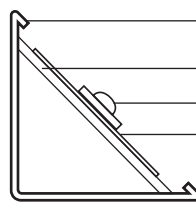
### SHOWCASE / DISPLAY

### RB - REMOTE BALLAST

- light engines available:
  - HF2N High Lumen LED emitters
  - HF2N-H Half populated
  - HF2XB-S4 high lumen LED emitters
- extruded aluminum housing
  - excellent heat sinking - extends lamp life - improves efficiency
- variety of lensing options
- satin anodized clear finish is standard - a variety of other standard and custom finishes and powdercoated finishes are available
- all display fixtures come standard with 9'-0" wire leads
- remote driver
- mounting options, end caps, and acrylic diffusers also available
- UL and C-UL listed for dry and damp locations

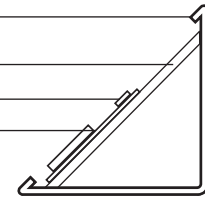


595-LED dimensions

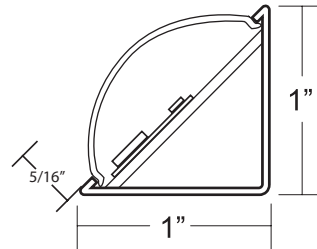


**-HF2XB-S4**  
(11.5" boards)

ALUMINUM HOUSING  
HEAT SINK  
DIODE  
LED BOARD



**-HF2N**  
(10" & 4" boards)



(SIW) Satin Ice White Lens Option

### 595-LED

#### 595-LED

#### LED

Options:  
-HF2N (10w/ ft)  
-HF2N-H (5w/ ft)  
-HF2XB-S4 (3.9w/ ft)

#### Color Temp

-3000  
-3500  
-4000

#### Nominal Length

1 - 1'  
2 - 2'  
3 - 3'  
4 - 4'  
5 - 5'

#### CU - Custom\*

CR\*\* - Continuous Run\*

\*Consult Factory  
\*\*Specify length in nominal feet

#### Voltage

1 - 120V  
2 - 277V

#### Feed Type

EF - End Feed  
FF - Front Feed  
CU - custom (supply sketch)

#### Lens

NL - No Lens  
SIC - Satin Ice Clear  
SIW - Satin Ice White  
LP - Linear Prismatic\*\*  
CU - Custom\*

\*Consult Factory  
\*\*Non-stocked item - longer lead time

#### Finish

SC - Satin Clear  
HRW - High Reflective White  
FB - Flat Black  
CU - Custom\*

\*Consult Factory

#### Options\*

\*Specify or consult factory

### Job Information

Type: \_\_\_\_\_

Job Name: \_\_\_\_\_

Location: \_\_\_\_\_

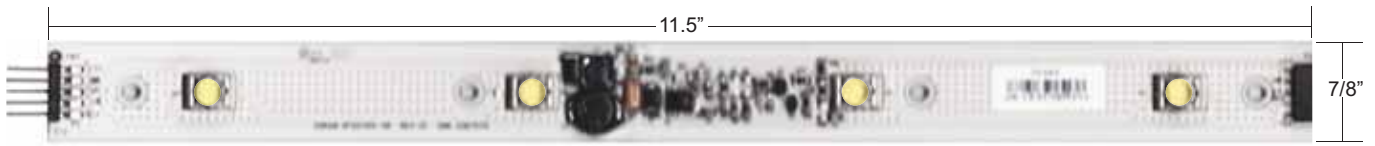
## BIRCHWOOD LIGHTING

714.550.7118 • fax 714.550.7151 • www.BirchwoodLighting.com

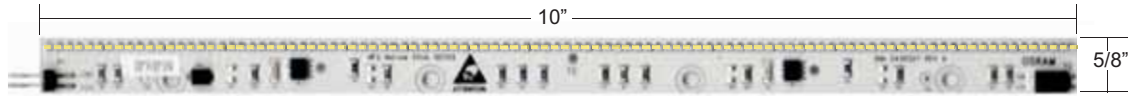
NOTE: Specifications and dimensions are subject to change without notice.



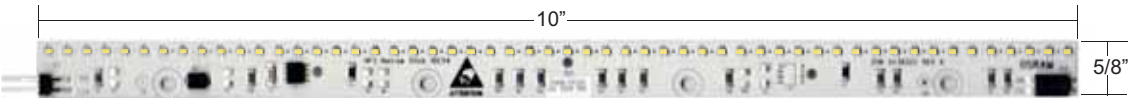
DISPLAY595-LED



HF2XB-S4



HF2N \*\*\* 4" board also available



HF2N-H (half populated) \*\*\* 4" board also available

LED LIGHT ENGINE SPECS

## LED OPTIONS

- Light engines available:
  - HF2N - 102 emitters on 10" - 10 watts/ft. 540 lumens/ft.
  - HF2N-H - 54 emitters on 10" 5 watts/ft. 270 lumens/ft.
  - HF2XB-S4 - 4 emitters on 11.5" 3.9 watts/ft. 225 lumens/ft.
- please consult factory for other options
- continuous run with several boards
- remote driver required:
  - \*see driver housing page
  - \*consult factory for driver options
- UL and C-UL listed for Dry and Damp locations

### HF2N

- Narrow 5/8" w board comprized with closely packed small LEDs
- High Lumen LED emitters with rated service life to 50,000 hours at 65 degrees Celsius.
- HF2N modules come in 10" and 4" sections with 102 emitters on the 10" and 42 emitters on the 4" section near continous light. 10 watts/ft. yielding 540 lumens/ft. which is 54 lumens/watt (lumen/ft. and lumens/watt based on 3000K color temp)
- Available in 3000K, 3500K and 4000K
- 120 degree beam angle
- CRI 85
- 4" boards also available\* contact factory

### HF2N-H (half populated)

- Narrow 5/8" w board comprized with closely packed small LEDs
- High Lumen LED emitters with rated service life to 50,000 hours at 65 degrees Celsius.
- HF2N-H modules is half populated which in turn uses half the wattage and the operating temp is less than the full population
- HF2N-H modules come in 10" and 4" sections with 54 emitters on the 10" and 24 emitters on the 4" section near continous light. 5 watts/ft. yielding 270 lumens/ft. which is 54 lumens/watt (lumen/ft. and lumens/watt based on 3000K color temp)
- Available in 3000K, 3500K and 4000K
- 120 degree beam angle
- CRI 85
- 4" boards also available\* contact factory

### HF2XB-S4

- High Lumen LED emitters with rated service life to 50,000 hours at 40 degrees Celsius.
- HF2XB-S4 modules come in 11.5" lengths with 4 emitters per module 3.9 watts/ft. yielding 225 lumens/ft. which is 58 lumens/watt (lumen/ft. and lumens/watt based on 3000K color temp)
- Available in 3000K, 3500K and 4100K, and 5700K
- 90 degree beam angle
- HF2XB-S4 modules run on 24VDC power
- CRI 85

### Job Information

Type: \_\_\_\_\_

Job Name: \_\_\_\_\_

Location: \_\_\_\_\_

## BIRCHWOOD LIGHTING

714.550.7118 • fax 714.550.7151 • www.BirchwoodLighting.com

NOTE: Specifications and dimensions are subject to change without notice.



OPT-LED

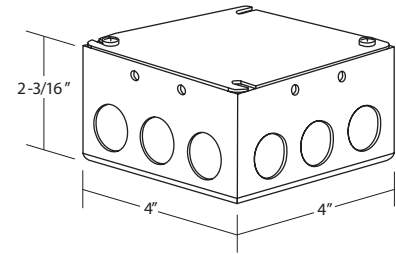
# DRIVER HOUSINGS

## REMOTE DRIVER HOUSINGS

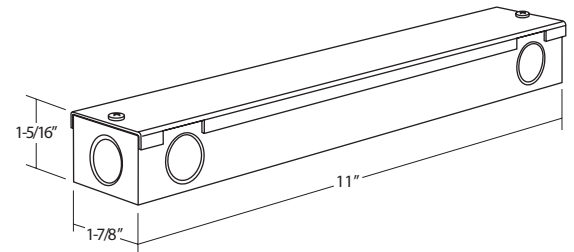
- used for remote power supplies
- formed aluminum construction
- standard finish is mill aluminum to provide excellent heat dissipation
- custom powder coat finishes are available for visible housings (consult factory)
- standard sizes shown, custom sizes are available
- driver(s) and housing(s) dependent upon run length
- all models feature several conveniently located trade size knock-outs (K.O.'s)
- consult factory for recommended maximum remote mounting distance
- UL and C-UL Listed for Dry Locations

## STANDARD HOUSINGS

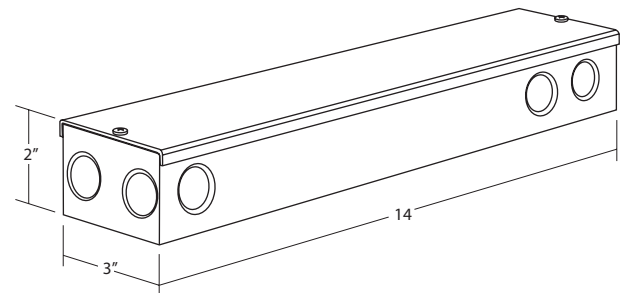
- **BB04C**
- used for 3-20w LED board combinations 120v only, 20 watt driver contact factory to verify specification
- DIMENSIONS: 4" x 4" x 2-3/16"
- **NOTE:** Contact Factory about Driver Housings to be sent out prior to electrical rough-in.



- **BB11D**
- used for 21-75w LED board combinations 120 -277v, 75 watt driver
- DIMENSIONS: 11" x 1-7/8" x 1-5/16"

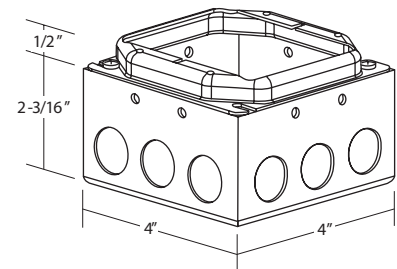


- **BB14B**
- used for 76-96w LED board combinations 120 -277v, 96 watt driver
- DIMENSIONS: 14"(L) x 3" x 2"



## SPECIAL ORDER HOUSING

- **BB04C-MR**
- used for 3-20w LED board combinations 120v only, 20 watt driver contact factory to verify specification
- includes 1/2" mud ring
- \*consult factory for other options
- DIMENSIONS: 4" x 4" x 2-3/16"
- **NOTE:** Contact Factory about Driver Housings to be sent out prior to electrical rough-in.



### GENERAL NOTES:

- The standard Driver Housing is mill aluminum (MA) finish.
- Please contact factory for custom housing sizes and/or color
- Contact factory with any ballast housing questions

### Job Information

Type: \_\_\_\_\_

Job Name: \_\_\_\_\_

Location: \_\_\_\_\_

# BIRCHWOOD LIGHTING

714.550.7118 ♦ fax 714.550.7151 ♦ www.BirchwoodLighting.com

NOTE: Specifications and dimensions are subject to change without notice.





## Osram Driver Offering

Ordering Abbreviation	Output Wattage	Output Voltage
OT6/100-120/24CE	6	24
OT17/120-277/24E	17	24
OT20/120-240/24S	20	24
OT30/120/24CORD	30	24
OT50/120/24LP	50	24
OT75/120-277/24E	75	24
OT96/120-277/24D	96	24
OT96/120-277/24	96	24
OT240/120-240/24/CH3	240	24

LED power supplies compatible with: 24V LED Modules

## Ordering Information

Item Number	Ordering Abbreviation	Nominal Input Voltage (V)	Nominal Input Current (A)	Power Factor	Nominal Input Power (W)	Output Voltage (VDC)	Output Power Range (W)	Max. Line Ripple (V)	UL/ETL File #	Location Rating
51503	OT6/100-120/24CE	120	0.11	0.55	7.1	24.0±0.5	0.9-6	±0.2V	E258264	Damp
51622	OT17/120-277/24E*	120 277	0.19 0.10	0.92	21	24.0±0.5	0.8-17	±1.0V	E220096	Damp
51512	OT20/120-240/24S	120 240	0.38 0.19	0.5	23	24.0±1.0	0.9-20	±0.2V	E258264	Dry
51521	OT30/120/24CORD	120	0.63	0.5	38	24.0±1.0	1-30	±1.5V	3137489	Dry
51598	OT50/120/24LP	120	0.47	0.99	56	24.0±0.5	0.9-50	±0.2V	E248522	Dry
51514	OT75/120-277/24E	120 277	0.76 0.33	0.99	90	24.0±0.5	0.9-75	±0.2V	E258264	Damp
51510	OT96/120-277/24D	120 277	0.91 0.39	0.99	108	24.0±0.5	0.8-96	±1.0V	E220096	Dry
51626	OT96/120-277/24	120 277	0.91 0.39	0.99	108	24.0±0.5	0.8-96	±1.0V	E320395	WET <sup>2</sup>
51627	OT240/120-240/24/CH3	120 240	2.39 1.19	0.99	285	24.0±0.5	0.8-240	±1.0V	E320395	WET <sup>2</sup>

\*7W is the minimum output power required when operating at the 277V input voltage.

### Notes:

- All power supplies can be remote mounted up to 32 feet. Although it is possible to exceed the remote mounting distance, the installer and/or end user must take precautions to prevent and/or test the effects of EMI (electromagnetic interference).
- Use wiring rated and marked PLTC, CL3R, and "sun resistant"
- 51514 replaces 51513 (OT75/120/24), which is discontinued

## Minimum and Maximum Ratings

Parameter	Power Supply	Values
Input Voltage Range (Min/Max)	OT6	90 - 132 VAC
	OT20 and OT240	108-254 VAC
	OT30 and OT50	108-132 VAC
	OT17, OT75 and OT96	108-305 VAC
Input Frequency		50/60Hz
Ambient Temperature Range	OT6, OT20 and OT50	-20°C through +50°C
	OT30	-20°C through +45°C
	OT75	-25°C through +60°C
	OT17, OT96 and OT240	-30°C through +70°C
Max. Case Temperature	OT30	45°C
	OT6, OT50	70°C
	OT20	75°C
	OT17, OT75, OT96 and OT240	90°C

## Job Information

Type: \_\_\_\_\_

Job Name: \_\_\_\_\_

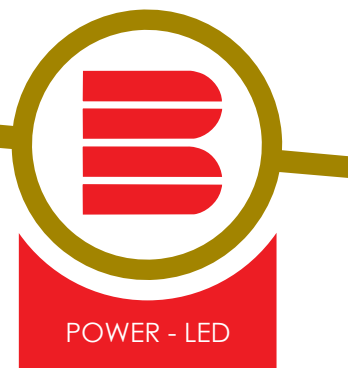
Location: \_\_\_\_\_

1109

# BIRCHWOOD LIGHTING

714.550.7118 ♦ fax 714.550.7151 ♦ www.BirchwoodLighting.com

NOTE: Specifications and dimensions are subject to change without notice.



POWER - LED