

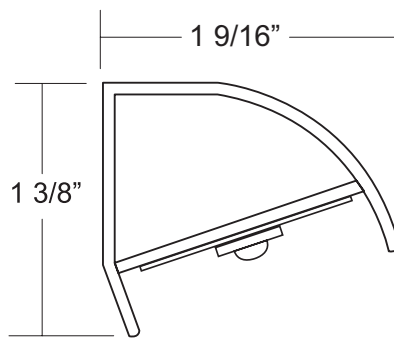
510 LED DISPLAY

QUARTER ROUND

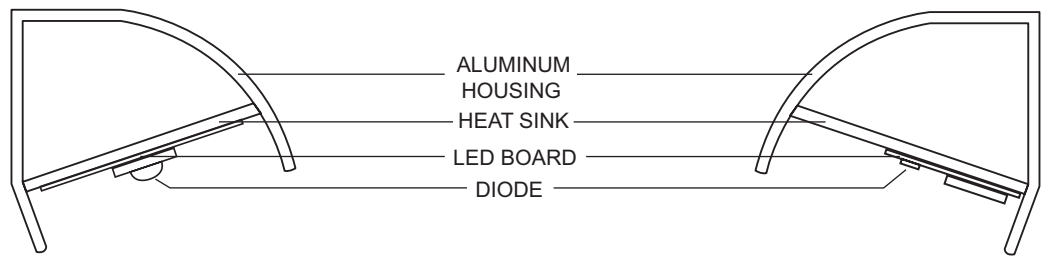
HIGH LUMEN LED EMITTERS

RB - REMOTE BALLAST

- light engines available:
 - HF2N High Lumen LED emitters
 - HF2N-H Half populated
 - HF2XB-S4 high lumen LED emitters
- extruded aluminum housing -excellent heat sinking - extends lamp life - improves efficiency
- all display fixtures come standard with 9'-0" wire leads
- satin anodized clear finish is standard - a variety of other standard and custom finishes and powdercoated finishes are available
- remote driver
- mounting options, end caps, and acrylic diffusers also available
- UL and C-UL listed for dry and damp locations

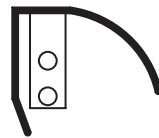


510-LED dimensions

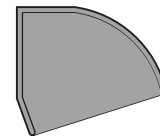


-HF2XB-S4
(11.5" boards)

-HF2N
(10" & 4" boards)



Flush-Mount / Wood-End
Mounting Clip
option: **MC01**



Smooth Finish
Matching Solid End Cap
option: **EC510**

510-LED

560-LED

LED Options:
-HF2N
(10w/ ft)
-HF2N-H
(5w/ ft)
-HF2XB-S4
(3.9w/ ft)

Color Temp
-3000
-3500
-4000

Nominal Length
1 - 1'
2 - 2'
3 - 3'
4 - 4'
5 - 5'

CU - Custom*
CR_** - Continuous Run*

*Consult Factory
**Specify length in nominal feet

Voltage
1 - 120V
2 - 277V

Mounting
-MC01
-Custom*

Lens

NL - No Lens
SIC - Satin Ice Clear
SIW - Satin Ice White
LP - Linear Prismatic**
CU - Custom*

*Consult Factory
**Non-stocked item - longer lead time

Feed Type

EFR - End Feed Right
EFL - End Feed Left
FFR - Front Feed Right
FFL - Front Feed Left
CU - custom (supply sketch)
*Right" is shown above

Finish
SC - Satin Clear
BC - Bright Clear
FB - Flat Black
CU - Custom*

*Consult Factory

Options*

*Specify or consult factory

Job Information

Type:

Job Name:

Location:

BIRCHWOOD LIGHTING

714.550.7118 • fax 714.550.7151 • www.BirchwoodLighting.com

NOTE: Specifications and dimensions are subject to change without notice.

