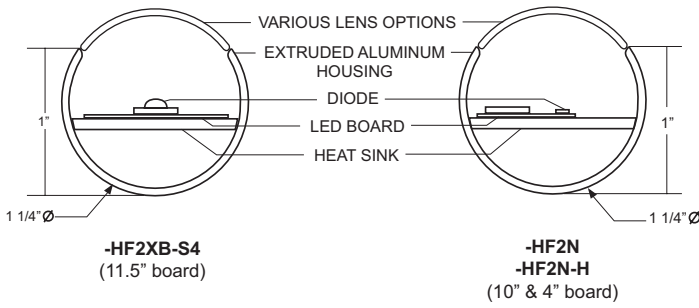
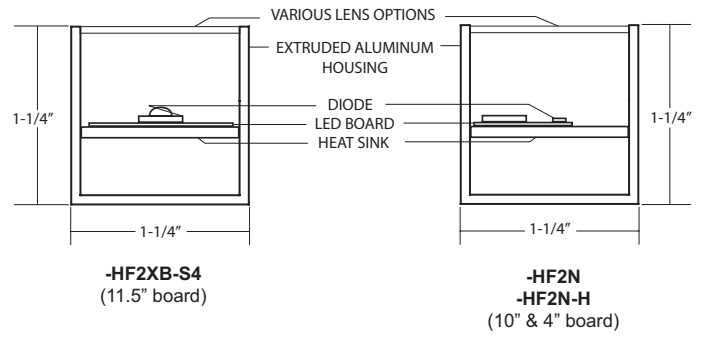




## hailey - 125



## kelsey-125



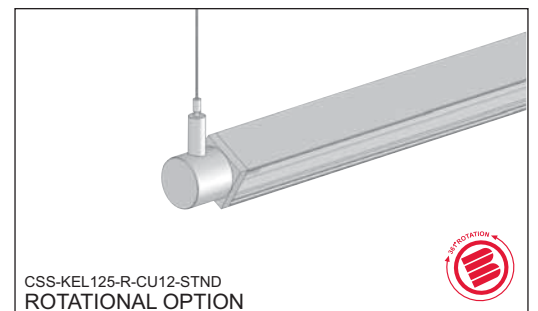
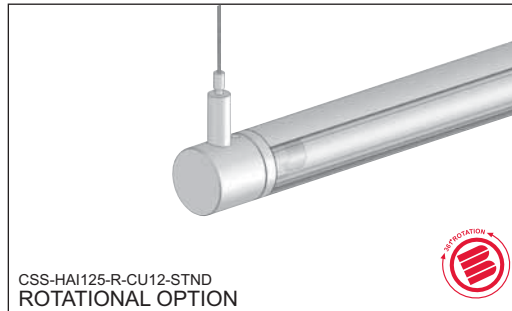
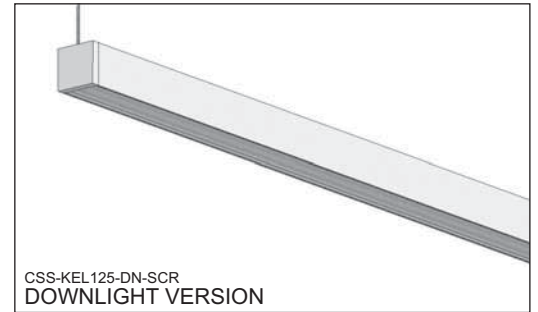
### CSS OPTIONS

#### CSS

#### CABLE SUSPENSION SYSTEM

DIRECT, INDIRECT, WALL WASH, ROTATIONAL

- 1/4" thick precision machined aluminum end caps
- rotational - wall wash - version rotates 36 1° with positive stop
- standard canopy mounting options - custom shapes, sizes and finishes available - consult factory
- can be installed without a canopy
- standard 1/16" diameter stainless steel cable. Consult factory for other cable diameters
- cables come in standard lengths and are field adjustable - consult factory for other options
- power cords available in white, black, gray, and braided - consult factory for other options
- add "CSS" under "Mounting" section



#### CSS

|  |  |  |  |   |  |   |  |  |
|--|--|--|--|---|--|---|--|--|
| <b>Mounting</b><br>CSS -<br>Cable<br>Suspended<br>System | <b>Fixture</b><br>HAI125 - 1.25"<br>Diameter fixture<br>KEL125 - 1.25"<br>Size fixture | <b>Orientation</b><br>UP - Uplight<br>DN - Downlight<br>R - Rotational | <b>Continuous<br/>Run Option**</b><br>SCR - Seamless<br>Continuous Run<br>DCR - Disc<br>Continuous Run<br>RCR - Rotational<br>Continuous Run | <b>Cable Length</b><br>36 - 36"<br>72 - 72"<br>96 - 96"<br>CU__ - Custom*<br>(Specify length<br>in inches -<br>ie: CU148) | <b>Mounting Options</b><br>STND - Bracket bar<br>w/5" round Canopy<br>NC - No Canopy -<br>1/4-20 Side<br>Exit Cable Gripper -<br>(1/4-20 stud provided<br>by others)<br>CU - Custom* | <b>Canopy Finish<br/>(Powder Coat)</b><br>MW - Matte White<br>HRW - High<br>Reflectance White<br>SL - Silver<br>FB - Flat Black<br>CU - Custom* | <b>Power Cord<br/>Color</b><br>W - White<br>B - Black<br>G - Gray<br>SC - Braided<br>Cable<br>CU - Custom* | <b>End Cap / Disc /<br/>Arm / Knuckle:</b><br>Anodized Finish<br>MF - Match Fixture<br>SC - Satin Clear<br>BC - Bright Clear<br>FB - Flat Black<br>RM - Raw Machined<br>CU - Custom* |
|--|--|--|--|---|--|---|--|--|

\*\*For individual fixtures, leave blank

\*Consult factory for all Custom (CU) options

#### Job Information

Type: \_\_\_\_\_

Job Name: \_\_\_\_\_

Location: \_\_\_\_\_

## BIRCHWOOD LIGHTING

714.550.7118 • fax 714.550.7151 • www.BirchwoodLighting.com

NOTE: Specifications and dimensions are subject to change without notice.



CSS - LED