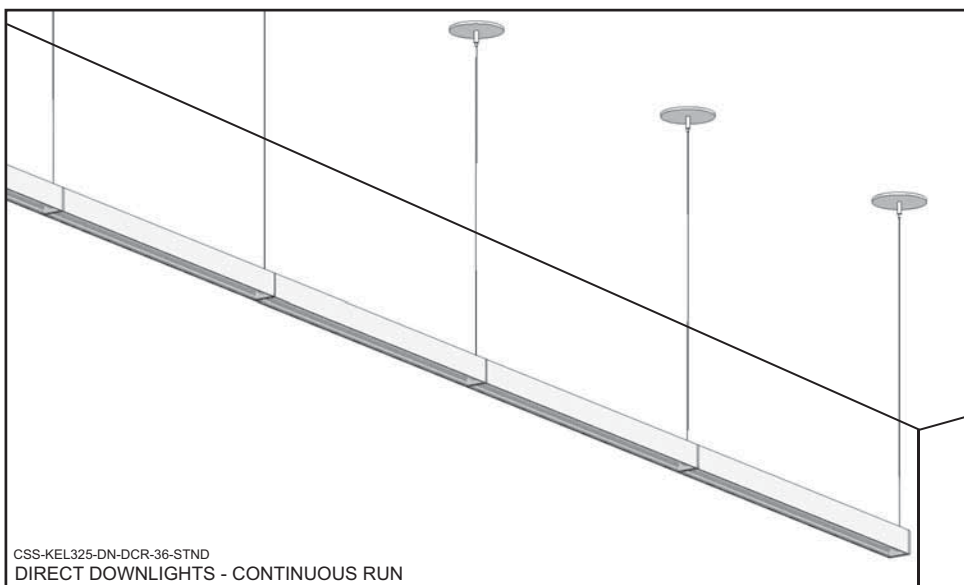




### CSS OPTIONS



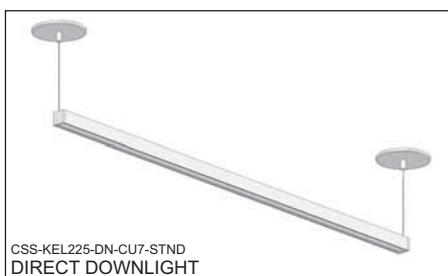
CSS-KEL325-DN-DCR-36-STND  
DIRECT DOWNLIGHTS - CONTINUOUS RUN

### CSS

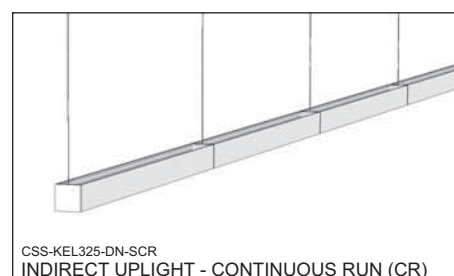
#### CABLE SUSPENSION SYSTEM

DIRECT, INDIRECT, WALL WASH, ROTATIONAL

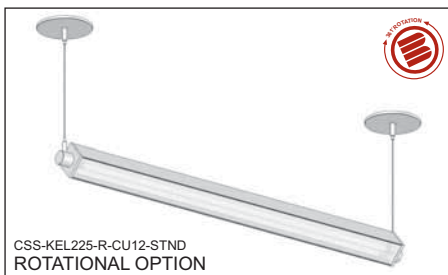
- 1/4" thick precision machined aluminum end caps
- rotational - wall wash - version rotates 36° with positive stop
- standard canopy mounting options - custom shapes, sizes and finishes available - consult factory
- can be installed without a canopy
- standard 1/16" diameter stainless steel cable. Consult factory for other cable diameters
- cables come in standard lengths and are field adjustable - consult factory for other options
- power cords available in white, black, gray, and braided - consult factory for other options
- add "CSS" under "Mounting" section



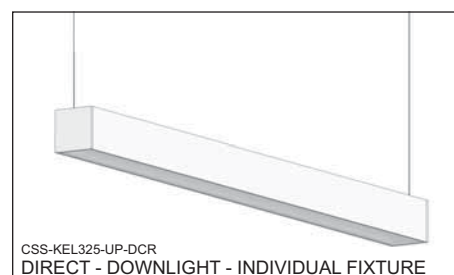
CSS-KEL225-DN-CU7-STND  
DIRECT DOWNLIGHT



CSS-KEL325-DN-SCR  
INDIRECT UPLIGHT - CONTINUOUS RUN (CR)



CSS-KEL225-R-CU12-STND  
ROTATIONAL OPTION



CSS-KEL325-UP-DCR  
DIRECT - DOWNLIGHT - INDIVIDUAL FIXTURE

### CSS

**Mounting**  
CSS - Cable Suspended System

**Fixture**  
KEL125 - 1.25" Diameter fixture  
KEL225 - 2.25" Diameter fixture  
KEL 325 - 3.25" Diameter fixture

**Orientation**  
UP - Uplight  
DN - Downlight  
R - Rotational

**Continuous Run Option\*\***  
SCR - Seamless Continuous Run  
DCR - Disc Continuous Run  
RCR - Rotational Continuous Run

\*\*For individual fixtures, leave blank

**Cable Length**  
36 - 36"  
72 - 72"  
96 - 96"  
CU - Custom\* (Specify length in inches - ie: CU148)

**Mounting Options**  
STND - Bracket bar w/5" round Canopy  
NC - No Canopy - 1/4-20 Side Exit Cable Gripper - (1/4-20 stud provided by others)  
CU - Custom\*

**Canopy Finish (Powder Coat)**  
MW - Matte White  
HRW - High Reflectance White  
SL - Silver  
FB - Flat Black  
CU - Custom\*

**Power Cord Color**  
W - White  
B - Black  
G - Gray  
SC - Braided Cable  
CU - Custom\*

**End Cap / Disc / Arm / Knuckle: Anodized Finish**  
MF - Match Fixture  
SC - Satin Clear  
BC - Bright Clear  
FB - Flat Black  
RM - Raw Machined  
CU - Custom\*

\*Consult factory for all Custom (CU) options

### Job Information

Type: \_\_\_\_\_

Job Name: \_\_\_\_\_

Location: \_\_\_\_\_

0309

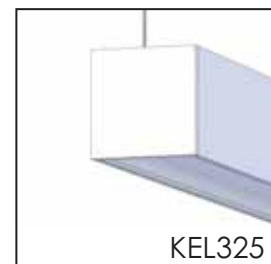
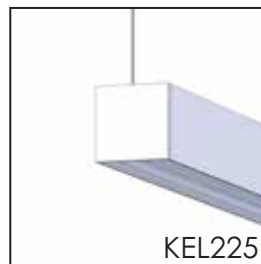
## BIRCHWOOD LIGHTING

714.550.7118 • fax 714.550.7151 • www.BirchwoodLighting.com

NOTE: Specifications and dimensions are subject to change without notice.



KEL p 4



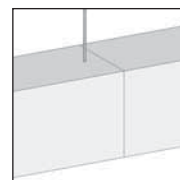
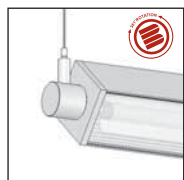
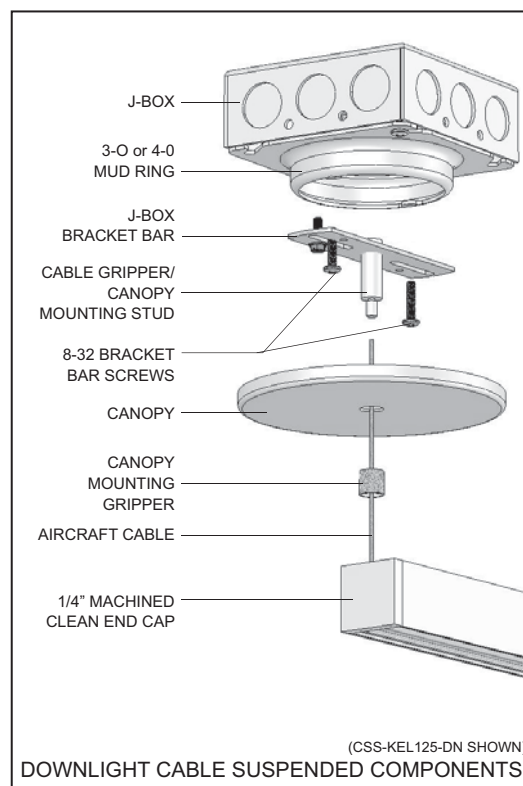
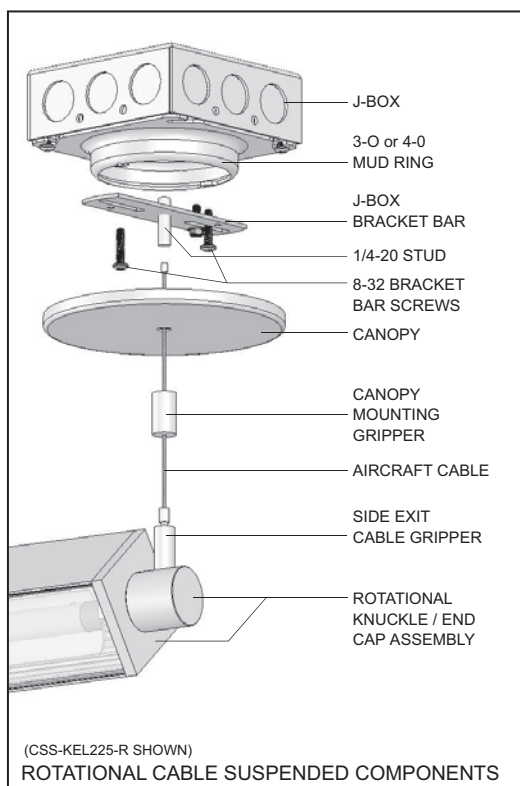
## CSS INSTALLATION INFORMATION

### CSS

#### CABLE SUSPENSION SYSTEM

DIRECT. INDIRECT.  
WALL WASH, ROTATIONAL

- 1/4" thick precision machined aluminum end caps
- rotational - wall wash - version rotates 36 1° with positive stop
- standard canopy mounting options - custom shapes, sizes and finishes available - consult factory
- can be installed without a canopy
- standard 1/16" diameter stainless steel cable. Consult factory for other cable diameters
- cables come in standard lengths and are field adjustable - consult factory for other options
- power cords available in white, black, gray, and braided - consult factory for other options
- add "CSS" under "Mounting" section



### Job Information

Type: \_\_\_\_\_

Job Name: \_\_\_\_\_

Location: \_\_\_\_\_

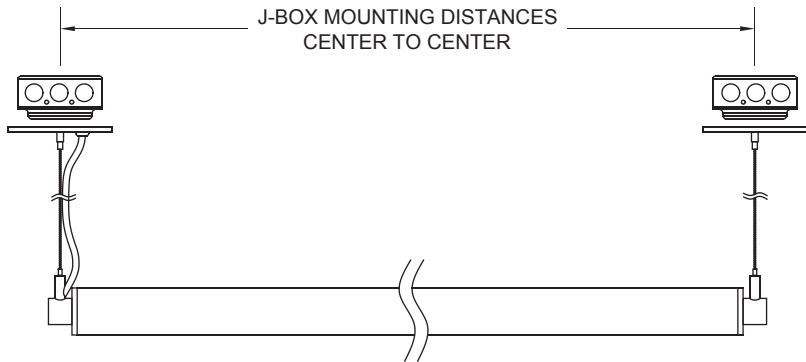
## BIRCHWOOD LIGHTING

714.550.7118 • fax 714.550.7151 • www.BirchwoodLighting.com

NOTE: Specifications and dimensions are subject to change without notice.



kelsey - CSS



**MOUNTING CENTERS\***

INDIVIDUAL AND CONTINUOUS RUN APPLICATIONS

\*CUSTOM FIXTURE LENGTHS AND MOUNTING CENTERS ARE AVAILABLE - CONTACT FACTORY

**T5/T5HO**

Nominal Fixture Length	2'	3'	4'	5'	6'	8'
<b>Mounting Centers</b>	<b>24-3/8"</b>	<b>36-1/4"</b>	<b>48"</b>	<b>60"</b>	<b>70-1/2"</b>	<b>94-1/8"</b>

**T8**

Nominal Fixture Length	2'	3'	4'	5'	6'	8'
<b>Mounting Centers</b>	<b>26"</b>	<b>38"</b>	<b>50"</b>	<b>62"</b>	<b>74"</b>	<b>98"</b>

CSS MOUNTING SYSTEM  
ROTATIONAL VERSION

CENTER TO CENTER  
MOUNTING DISTANCES

CONTINUOUS RUN  
WORKSHEET

**CONTINUOUS RUN WORKSHEET**

FOR ALL CONTINUOUS RUN APPLICATIONS, PLEASE USE THE FOLLOWING WORKSHEET

**OPTION 1**

BASIC RUN - SPECIFY THE RUN/TYPE AND RUN LENGTH - UNDER "FIXTURE LENGTHS" SPECIFY THE FIXTURE QUANTITY AND CORRESPONDING FIXTURE SEGMENT LENGTHS TO COMPOSE THE RUN

**OPTION 2**

RUN SPECIFIC - SPECIFY THE RUN/TYPE, RUN LENGTH, THE CORRESPONDING FIXTURES, AND THEIR RESPECTIVE LOCATION IN THE RUN (USED FOR MORE COMPLEX RUN CONFIGURATIONS) - USE ADDITIONAL LINES OR SHEETS FOR LONG RUNS AS NECESSARY

RUN/ TYPE	RUN LENGTH	FIXTURE LENGTHS

F1	24'	(6) 4' Fixtures	OPTION 1 EXAMPLE
----	-----	-----------------	------------------

F2	26'	3' 4' 4' 4' 4' 4' 3'	OPTION 2 EXAMPLE
----	-----	----------------------	------------------

**NOTES**

- 1) 325 SERIES:
- 2) 225 SERIES:
- 3) 125 SERIES: SEE WIRING DIAGRAM PAGE FOR MORE NOTES
- 4) PLEASE CONSULT FACTORY FOR APPLICATION ASSISTANCE

**Job Information**

Type: \_\_\_\_\_

Job Name: \_\_\_\_\_

Location: \_\_\_\_\_

**BIRCHWOOD LIGHTING**

714.550.7118 • fax 714.550.7151 • www.BirchwoodLighting.com

NOTE: Specifications and dimensions are subject to change without notice. - consult factory to confirm all measurements

