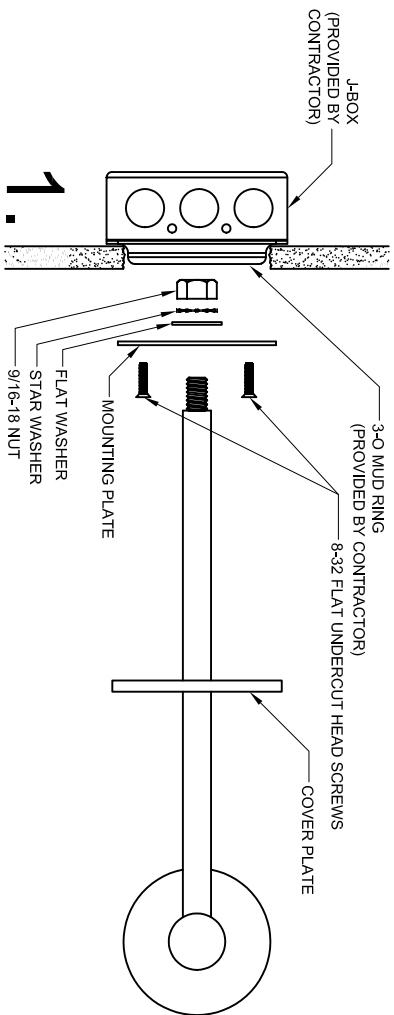
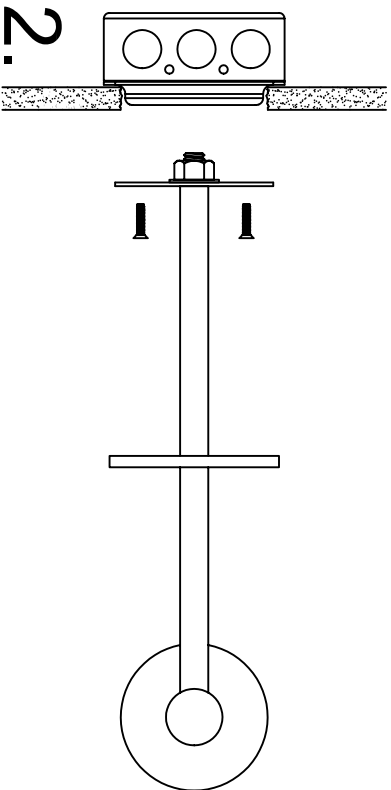


# RAB

## 3-O MOUNTING PLATE (3-O MP)- INSTALLATION INSTRUCTIONS

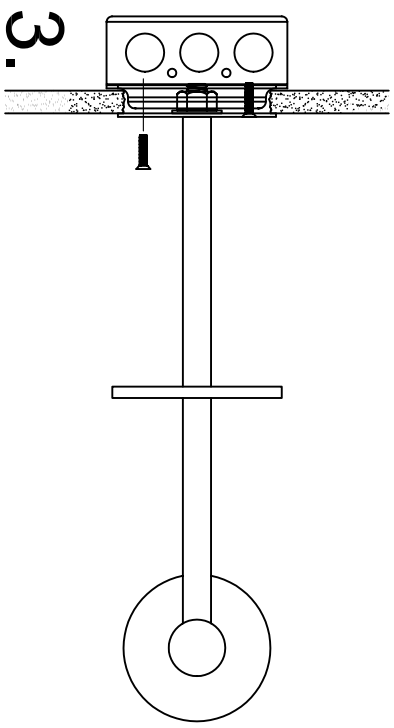


- 1) INSTALL J-BOX WITH 3-O MUD RING (PROVIDED BY CONTRACTOR)  
USE FIXTURE MOUNTING CENTERS WORKSHEET FOR LOCATION INFORMATION  
NOTE: IT IS CRITICAL THAT THESE DIMENSIONS ARE PRECISELY FOLLOWED
- 2) INSTALL DRYWALL AND COMPLETE FINISH WORK
- 3) SLIDE COVER PLATES OVER ARMS

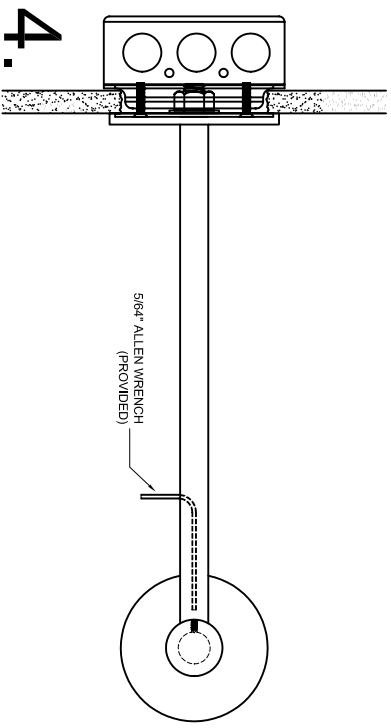


- 4) SLIDE THREADS THROUGH MOUNTING PLATE. STAR WASHER AND FLAT WASHER
- 5) SECURELY TIGHTEN WITH NUT - MAKE SURE MOUNTING HOLES ALIGN WITH MUD RING MOUNTING HOLES

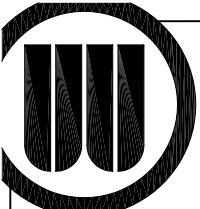
NOTE: ENSURE ARMS ARE LINED UP CORRECTLY - WITH THE 361 DEGREE ROTATION, FIXTURES CAN BE INSTALLED SO THAT ROTATION IS NOT POSSIBLE



- 6) COMPLETE WIRE MAKE-UP
- 7) SECURELY MOUNT FIXTURE TO WALL WITH PROVIDED 8-32 FLAT UNDERCUT HEAD SCREWS



- 8) SLIDE COVER PLATE OVER MOUNTING PLATE  
(MAGNETS WILL PULL THE COVER PLATE TIGHT AGAINST THE WALL)
- 9) USE 5/64" ALLEN WRENCH (PROVIDED) - LOOSEN SLIGHTLY UNTIL THE FIXTURE ROTATES (BOTH SIDES) - TIGHTEN WHEN PROPERLY AIMED



BIRCHWOOD LIGHTING, INC.

1302 E. HUNTER AVE.  
SANTA ANA, CA 92705  
PHN: 714.550.7118  
FAX: 714.550.7151

RAB - MOUNTING INSTRUCTIONS - 3-O MP