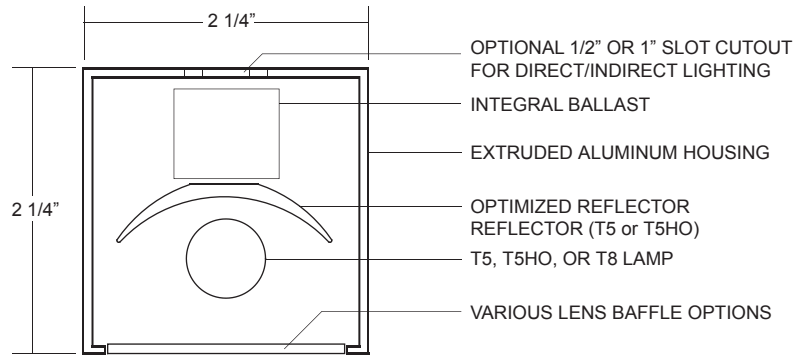
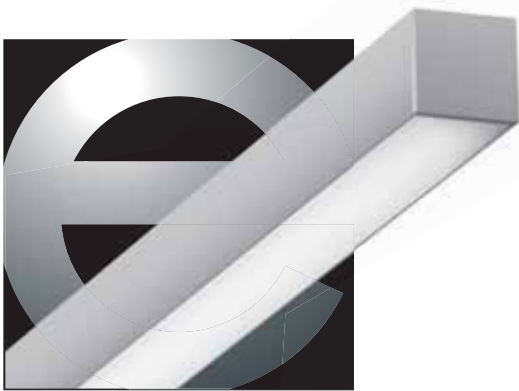


kelsey - 225



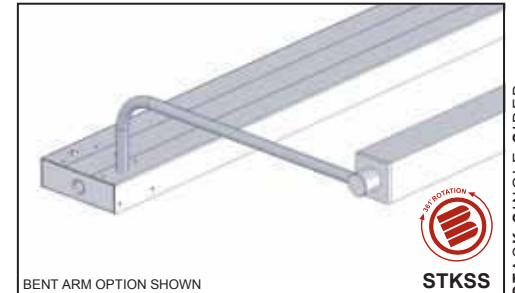
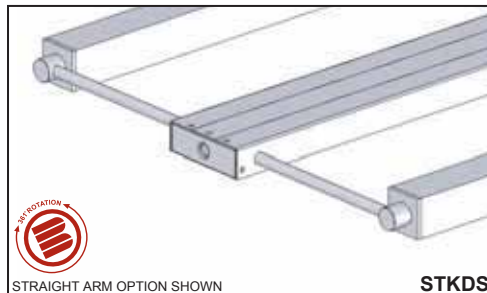
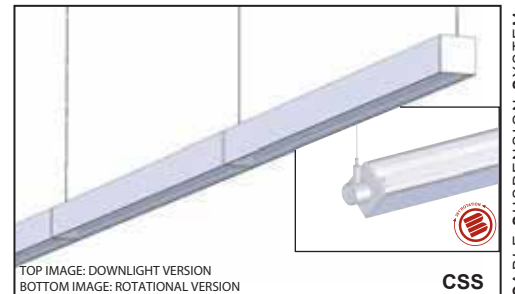
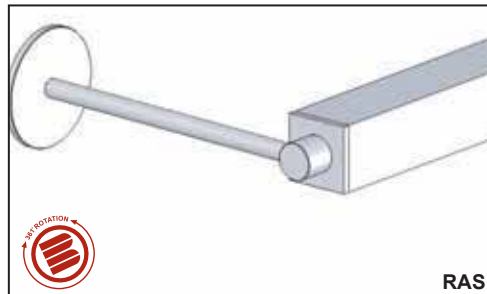
MOUNTING OPTIONS

2.25" SQUARE FIXTURE

MULTIPLE FIXTURE MOUNTING OPTIONS

DIRECT, INDIRECT, WALL WASH, ROTATIONAL STACK LIGHTING

- 2-1/4" square extruded aluminum housing
- 1/4" thick precision machined aluminum end caps
- extruded aluminum high efficacy polished reflector (T5 and T5HO)
- 75% T5 and T5HO fixture efficacy (no lens)
- rotating arm system, cable suspended, rotating cable suspended, stack mounting options
- 361° rotation with positive stop on rotating versions
- variety of lensing options
- satin anodized clear finish is standard - a variety of other standard and custom finishes are available
- T5, T5HO, and T8 linear fluorescent lamp types
- electronic ballasts are standard. consult Options p5 for available types of dimming and emergency ballasts
- optional integral ballast (standard T5 ballast only with lens, all ballast types without)
- UL and C-UL listed for Dry



KEL 225

Series
KEL - Kelsey

Model
225

Mounting*
RAS - Rotating Arm System
CSS - Cable Suspension System
STKSS - Single Sided Stack System
STKDS - Double Sided Stack System
SM - (surface mount)
WM - (wall mount)

Lamp
T5
T5HO
T8

Nominal Length
2 - 2'
3 - 3'
4 - 4'
5 - 5'
6 - 6'
8 - 8'

Voltage
1 - 120V
2 - 277V
3 - 347V

Ballast
EB - electronic
DIM_ - dimming*
EM_ - emergency*

*Refer to Options p5 for DIM_ and EM_ option codes

Ballast Location

IB - Internal Ballast*
RB - Remote Ballast**

*Standard T5 only
**Specify Ballast Housing

Finish
SC - Satin Clear
BC - Bright Clear
FB - Flat Black
CU - Custom*

*Consult Factory

Options*
.5S - 1/2" Slot
1S - 1" Slot
*Consult factory for these and other options

Lens

NL - No Lens
SIC - Satin Ice Clear
SIW - Satin Ice White
LP - Linear Prismatic**
CU - Custom*

*Consult Factory
**Non-stocked item - longer lead time

*ALL mounting options require further specification - See following pages

Job Information

Type: _____

Job Name: _____

Location: _____

BIRCHWOOD LIGHTING

714.550.7118 • fax 714.550.7151 • www.BirchwoodLighting.com

NOTE: Specifications and dimensions are subject to change without notice.

