

## K3UD LED

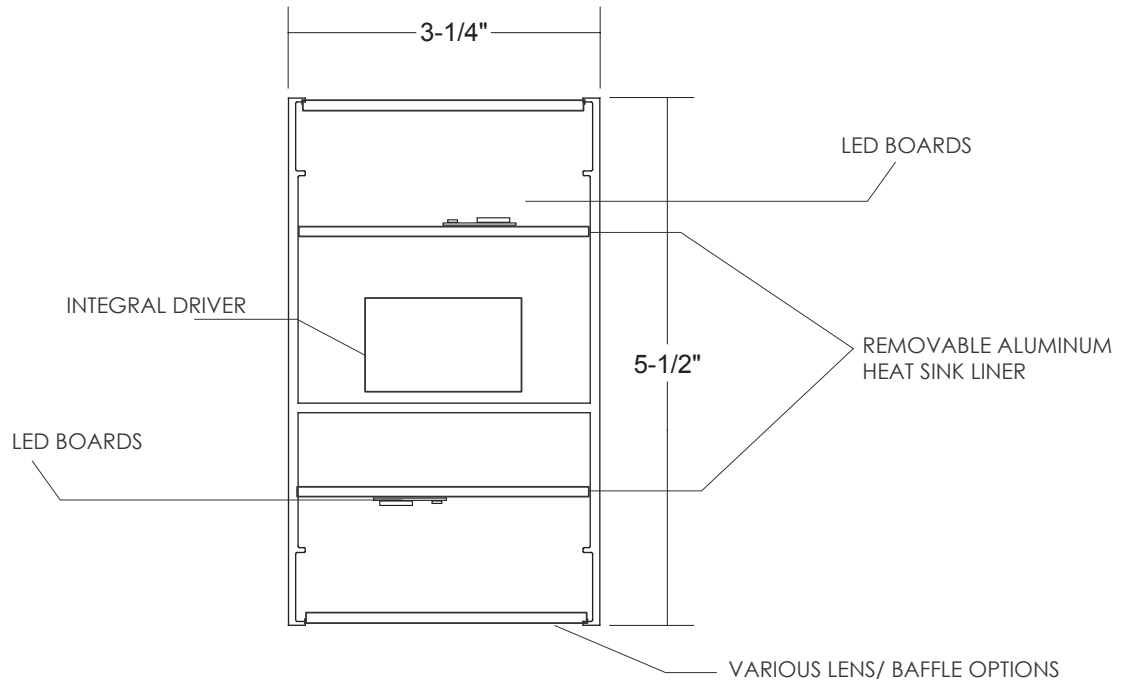


### K3UD FIXTURE

KELSEY 325 UP / DOWN  
INTERGRAL DRIVER

### LED

- extruded aluminum housing
- HF2N, HF2N-H, and HF2XB light engines available. \*see light engine page for specs.
- seamless continuous run with end to end board connections.
- fixtures are available in nominal lengths of 2, 3, 4, 5 and 8 feet
- standard finish is Satin Clear Anodize - custom colors and finishes are also available
- Dimming available- use OT Dimm with 0-10v dimmer smooth pulse modulation
- UL and C-UL Listed for Dry



### K3UD-LED

Model - K3UD-LED  
Kelsey 3.25" up/ down

**Color Temp**  
30 - 3000K  
35 - 3500K  
40 - 4000K

**Nominal Length**  
2 - 2'  
3 - 3'  
4 - 4'  
5 - 5'  
6 - 6'  
8 - 8'

**Voltage**  
1 - 120V  
2 - 277V

**Finish**  
SC - Satin Clear  
BC - Bright Clear  
FB - Flat Black  
MW - Matte White  
HRW - High Reflectance White  
CU - Custom\*  
\*Consult Factory

**Mounting**  
CSS - Cable Suspended System  
SM - Surface Mount  
WM - Wall Mount

**Cable Length**  
36 - 36"  
72 - 72"  
96 - 96"  
CU - Custom\* (Specify length in inches - ie: CU148)

**Continuous Run Option\*\***  
SCR - Seamless Continuous Run  
DCR - Disc Continuous Run  
RCR - Rotational Continuous Run

**Mounting Options**  
STND - Bracket bar w/5" round Canopy (all mounting points have 5" canopies)  
NC - No Canopy - 1/4-20 Side Exit Cable Gripper - (1/4-20 stud provided by others) (There will be one 5" canopy per fixture or run at the power feed location  
CU - Custom\*

**Canopy Finish (Powder Coat)**  
MW - Matte White (white power cord)  
HRW - High Reflectance White (white power cord)  
SL - Silver (clear coated silver braided power cord)  
FB - Flat Black (black power cord)  
CU - Custom\*

**Power Cord**  
W - White  
B - Black  
G - Gray  
SC - Braided Silver Cable  
CU - Custom\*

**Downlight Lens/ Louver**  
NL - No Lens/ Louver  
SIC - Satin Ice Clear  
SIW - Satin Ice White  
ACC - Clear  
LP - Linear Prismatic  
BL - Blade Louver  
PL - Parabolic Louver  
CU - Custom\*

**Uplight Lens/ Louver**  
NL - No Lens/ Louver  
SIC - Satin Ice Clear  
SIW - Satin Ice White  
ACC - Clear  
LP - Linear Prismatic  
BL - Blade Louver  
PL - Parabolic Louver  
CU - Custom\*

**Options\***  
\*Specify or consult factory

#### Light Engine

**HF2N** - Linear LED 10" or 4" boards, 102 emitters or 42 emitters  
**HF2N-H** - Linear LED 10" or 4" boards, 54 emitters or 24 emitters  
**HF2XB-S4** - Linear LED 11.5" board, 4 emitters

\*Consult Factory  
\*\*Specify length in nominal feet

**NOTES:**  
1) \*CONSULT FACTORY FOR ALL CUSTOM AND DIMMING OPTIONS.  
2) PLEASE SELECT BALLAST HOUSING - SEE PAGE 5. IF NO BALLAST HOUSING IS SELECTED, WE WILL USE OUR STANDARD BB11D IN A MILL ALUMINUM FINISH.

### Job Information

Type: \_\_\_\_\_

Job Name: \_\_\_\_\_

Location: \_\_\_\_\_



**BIRCHWOOD**  
lighting

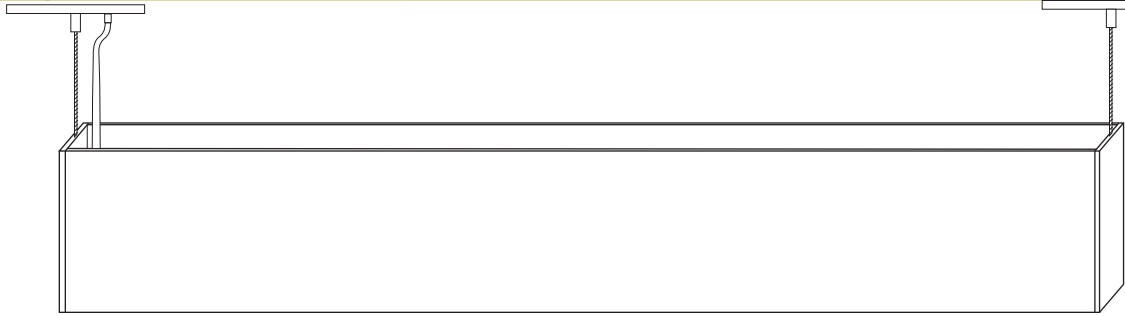
www.birchwoodLighting.com  
714.550.7118 • fax 714.550.7151 •

NOTE: Specifications and dimensions are subject to change without notice.



K3UD-LED

## K3UD FIXTURE

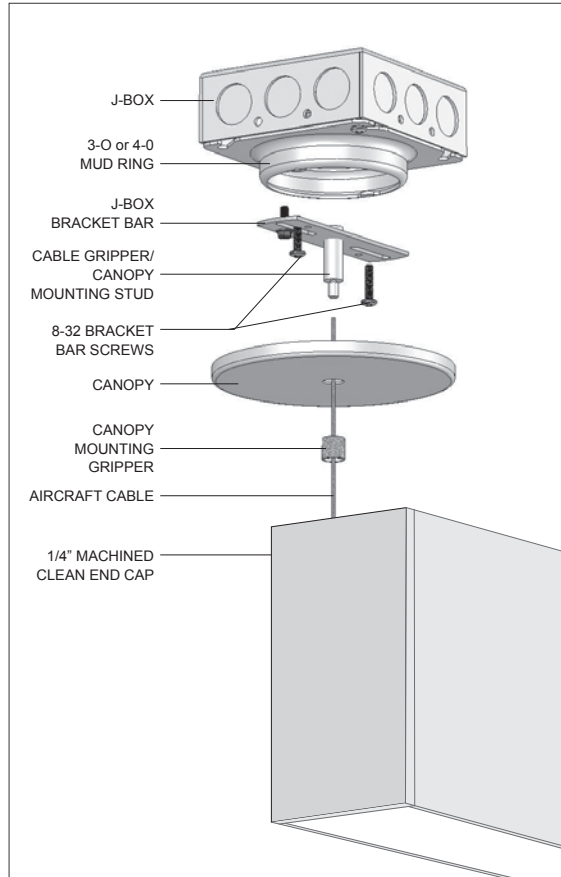


### CSS OPTION

#### KELSEY325 UP/ DOWN INTERGRAL BALLAST

T5, T5HO, T8 or SMLS T5/T5HO

- 1/4" thick precision machined aluminum end caps
  - standard canopy mounting options - custom shapes, sizes and finishes available
  - - consult factory
- can be installed without a canopy
- standard 1/16" diameter stainless steel cable. Consult factory for other cable diameters
  - cables come in standard lengths and are field adjustable - consult factory for other options
  - power cords available in white, black, gray, and braided - consult factory for other options
  - add "CSS" under "Mounting" section



### CSS

Mounting	Orientation	Continuous Run Option**	Cable Length	Mounting Options	Canopy Finish (Powder Coat)	Power Cord Color	End Cap / Disc / Arm / Knuckle: Anodized Finish
CSS - Cable Suspended System	1U1D- 1 Uplight 1 Downlight 2U2D- 2 Uplight 2 Downlight 1U2D- 1 Uplight 2 Downlight 2U1D- 2 Uplight 1 Downlight 2D-2 Downlight 2U-2 Uplight 1D- 1 Downlight 1U- 1 Uplight	SCR - Seamless Continuous Run DCR - Disc Continuous Run RCR - Rotational Continuous Run	36 - 36" 72 - 72" 96 - 96" CU - Custom* (Specify length in inches - ie: CU148)	STND - Bracket bar w/5" round Canopy (all mounting points have 5" canopies) NC - No Canopy - 1/4-20 Side Exit Cable Gripper - (1/4-20 stud provided by others) (There will be one 5" canopy per fixture or run at the power feed location) CU - Custom*	MW - Matte White HRW - High Reflectance White SL - Silver FB - Flat Black CU - Custom*	W - White B - Black G - Gray SC - Braided Cable CU - Custom*	MF - Match Fixture SC - Satin Clear BC - Bright Clear FB - Flat Black RM - Raw Machined CU - Custom*

NOTES:  
1) \*CONSULT FACTORY FOR ALL CUSTOM AND DIMMING OPTIONS.  
2) PLEASE SELECT BALLAST HOUSING - SEE PAGE 5. IF NO BALLAST HOUSING IS SELECTED, WE WILL USE OUR STANDARD BB11D IN A MILL ALUMINUM FINISH.

### Job Information

Type:

Job Name:

Location:

0910



**BIRCHWOOD**  
lighting

www.birchwoodLighting.com  
714.550.7118 • fax 714.550.7151 •

NOTE: Specifications and dimensions are subject to change without notice.



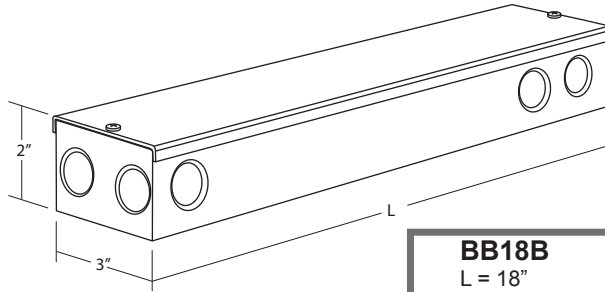
H3UD-CSS

## DRIVER HOUSINGS

### REMOTE DRIVER HOUSINGS

- used for remote power supplies
- formed aluminum construction
- standard finish is mill aluminum to provide excellent heat dissipation
- custom powder coat finishes are available for visible housings (consult factory)
- standard sizes shown, custom sizes are available
- driver(s) and housing(s) dependent upon run length
- all models feature several conveniently located trade size knock-outs (K.O.'s)
- consult factory for recommended maximum remote mounting distance
- UL and C-UL Listed for Dry Locations

### STANDARD HOUSINGS

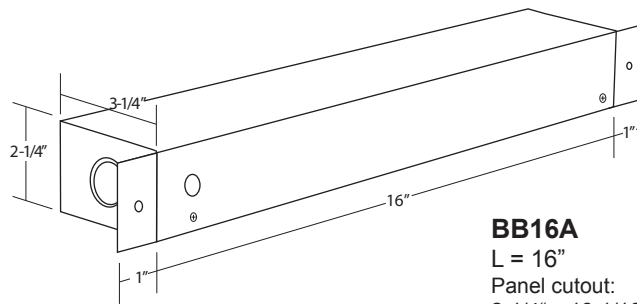


<b>BB18B</b> L = 18"	<b>BB23B</b> L = 23"
OSRAM SYLVANIA	
OT50W	OT50W
OT75W	OT75W
OT96W	OT96W
OT96W/DIM	OT96W/DIM
OT50W + OT DIM	OT50W + OT DIM
OT75W + OT DIM	OT75W + OT DIM
OT96W + OT DIM	OT96W + OT DIM
LUTRON	
HI-LUME A-SERIES	HI-LUME A-SERIES

**BB18B**  
L = 18"

**BB23B**  
L = 23"

surface mount in any orientation



**BB16A**

L = 16"

Panel cutout:

2-1/4" x 16-1/16"

recess/panel mount, includes on-off push

button switch, optional convenience receptacle

**BB16A**

L = 16"

OSRAM SYLVANIA

OT50W

OT75W

OT96W

OT96W/DIM

### Job Information

Type: \_\_\_\_\_

Job Name: \_\_\_\_\_

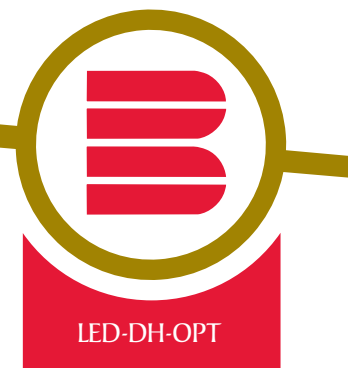
Location: \_\_\_\_\_

0110

# BIRCHWOOD LIGHTING

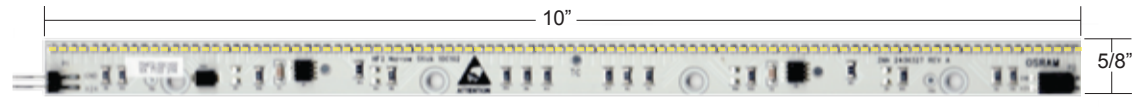
714.550.7118 ♦ fax 714.550.7151 ♦ www.BirchwoodLighting.com

NOTE: Specifications and dimensions are subject to change without notice.

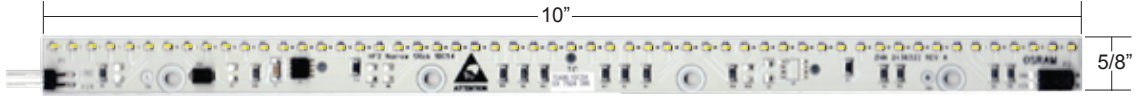




HF2XB-S4



HF2N \*\*\* 4" board also available



HF2N-H (half populated) \*\*\* 4" board also available

LED LIGHT ENGINE SPECS

LED OPTIONS

- Light engines available:
  - HF2N - 102 emitters on 10" - 10 watts/ft. 540 lumens/ft.
  - HF2N-H - 54 emitters on 10" 5 watts/ft. , 270 lumens/ft.
  - HF2XB-S4 - 4 emitters on 11.5" 3.9 watts/ft. 225 lumens/ft.
- please consult factory for other options
- dimmable by pulse width modulation \*Contact Factory
- continuous run with several boards
- remote driver required: \*see driver housing page \*consult factory for driver options
- 5 year warranty on LED board and driver combination \* terms and conditions apply, must be installed in suitable location, boards not to be use in alternate fixtures .
- UL and C-UL listed for Dry and Damp locations

HF2N

- Narrow 5/8" w board comprized with closely packed small LEDs
- High Lumen LED emitters with rated service life to 50,000 hours at 65 degrees Celsius.
- HF2N modules come in 10" and 4" sections with 102 emitters on the 10" and 42 emitters on the 4" section near continous light. 10 watts/ft. yielding 540 lumens/ft. which is 54 lumens/watt (lumen/ft. and lumens/watt based on 3000K color temp)
- Available in 3000K, 3500K and 4000K
- 120 degree beam angle
- CRI 85
- Dimmable by pulse width modulation

HF2N-H (half populated)

- Narrow 5/8" w board comprized with closely packed small LEDs
- High Lumen LED emitters with rated service life to 50,000 hours at 65 degrees Celsius.
- HF2N-H modules is half populated which in turn uses half the wattage and the operating temp is less than the full population
- HF2N-H modules come in 10" and 4" sections with 54 emitters on the 10" and 24 emitters on the 4" section near continuous light. 5 watts/ft. yielding 270 lumens/ft. which is 54 lumens/watt (lumen/ft. and lumens/watt based on 3000K color temp)
- Available in 3000K, 3500K and 4000K
- 120 degree beam angle
- CRI 85
- Dimmable by pulse width modulation

HF2XB-S4

- High Lumen LED emitters with rated service life to 50,000 hours at 40 degrees Celsius.
- HF2XB-S4 modules come in 11.5" lengths with 4 emitters per module 3.9 watts/ft. yielding 225 lumens/ft. which is 58 lumens/watt (lumen/ft. and lumens/watt based on 3000K color temp)
- Available in 3000K, 3500K and 4100K, and 5700K
- 90 degree beam angle
- HF2XB-S4 modules run on 24VDC power
- CRI 85
- Dimmable by pulse width modulation

Job Information

Type: \_\_\_\_\_

Job Name: \_\_\_\_\_

Location: \_\_\_\_\_



**BIRCHWOOD**  
lighting  
www.birchwoodLighting.com  
714.550.7118 • fax 714.550.7151 •

NOTE: Specifications and dimensions are subject to change without notice.



OPT-LED



## Osram Driver Offering

Ordering Abbreviation	Output Wattage	Output Voltage
OT6/100-120/24CE	6	24
OT17/120-277/24E	17	24
OT20/120-240/24S	20	24
OT30/120/24CORD	30	24
OT50/120/24LP	50	24
OT75/120-277/24E	75	24
OT96/120-277/24D	96	24
OT96/120-277/24	96	24
OT240/120-240/24/CH3	240	24

LED power supplies compatible with: 24V LED Modules

## Ordering Information

Item Number	Ordering Abbreviation	Nominal Input Voltage (V)	Nominal Input Current (A)	Power Factor	Nominal Input Power (W)	Output Voltage (VDC)	Output Power Range (W)	Max. Line Ripple (V)	UL/ETL File #	Location Rating
51503	OT6/100-120/24CE	120	0.11	0.55	7.1	24.0±0.5	0.9-6	±0.2V	E258264	Damp
51622	OT17/120-277/24E*	120 277	0.19 0.10	0.92	21	24.0±0.5	0.8-17	±1.0V	E220096	Damp
51512	OT20/120-240/24S	120 240	0.38 0.19	0.5	23	24.0±1.0	0.9-20	±0.2V	E258264	Dry
51521	OT30/120/24CORD	120	0.63	0.5	38	24.0±1.0	1-30	±1.5V	3137489	Dry
51598	OT50/120/24LP	120	0.47	0.99	56	24.0±0.5	0.9-50	±0.2V	E248522	Dry
51514	OT75/120-277/24E	120 277	0.76 0.33	0.99	90	24.0±0.5	0.9-75	±0.2V	E258264	Damp
51510	OT96/120-277/24D	120 277	0.91 0.39	0.99	108	24.0±0.5	0.8-96	±1.0V	E220096	Dry
51626	OT96/120-277/24	120 277	0.91 0.39	0.99	108	24.0±0.5	0.8-96	±1.0V	E320395	WET <sup>2</sup>
51627	OT240/120-240/24/CH3	120 240	2.39 1.19	0.99	285	24.0±0.5	0.8-240	±1.0V	E320395	WET <sup>2</sup>

\*7W is the minimum output power required when operating at the 277V input voltage.

### Notes:

- All power supplies can be remote mounted up to 32 feet. Although it is possible to exceed the remote mounting distance, the installer and/or end user must take precautions to prevent and/or test the effects of EMI (electromagnetic interference).
- Use wiring rated and marked PLTC, CL3R, and "sun resistant"
- 51514 replaces 51513 (OT75/120/24), which is discontinued

## Minimum and Maximum Ratings

Parameter	Power Supply	Values
Input Voltage Range (Min/Max)	OT6	90 - 132 VAC
	OT20 and OT240	108-254 VAC
	OT30 and OT50	108-132 VAC
	OT17, OT75 and OT96	108-305 VAC
Input Frequency		50/60Hz
Ambient Temperature Range	OT6, OT20 and OT50	-20°C through +50°C
	OT30	-20°C through +45°C
	OT75	-25°C through +60°C
	OT17, OT96 and OT240	-30°C through +70°C
Max. Case Temperature	OT30	45°C
	OT6, OT50	70°C
	OT20	75°C
	OT17, OT75, OT96 and OT240	90°C

## Job Information

Type: \_\_\_\_\_

Job Name: \_\_\_\_\_

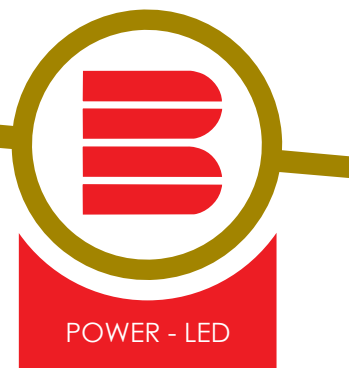
Location: \_\_\_\_\_

1109

# BIRCHWOOD LIGHTING

714.550.7118 ♦ fax 714.550.7151 ♦ www.BirchwoodLighting.com

NOTE: Specifications and dimensions are subject to change without notice.



POWER - LED