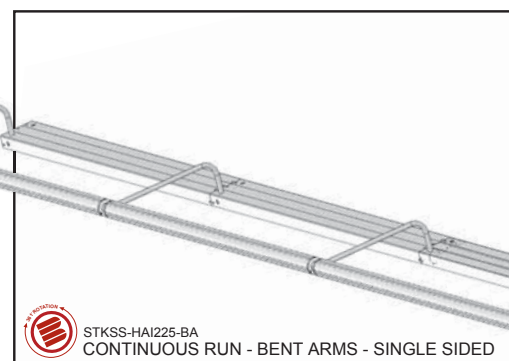
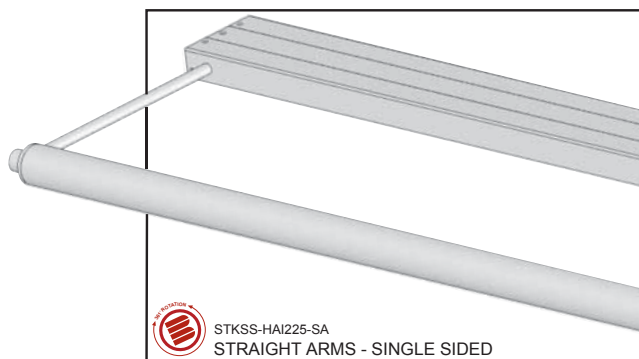
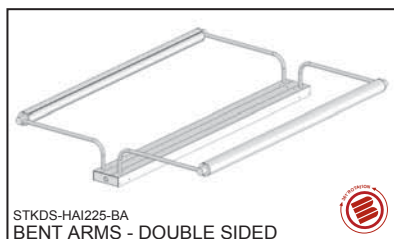
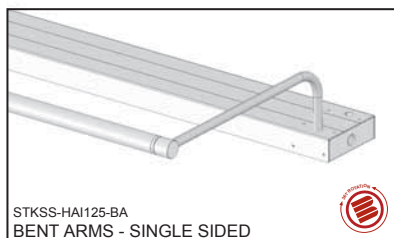
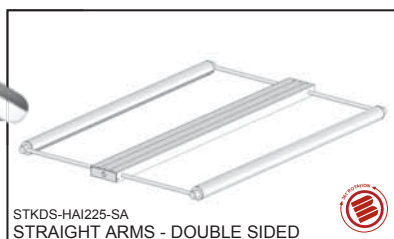
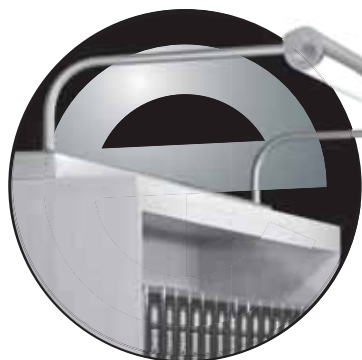




STK MOUNTING OPTIONS



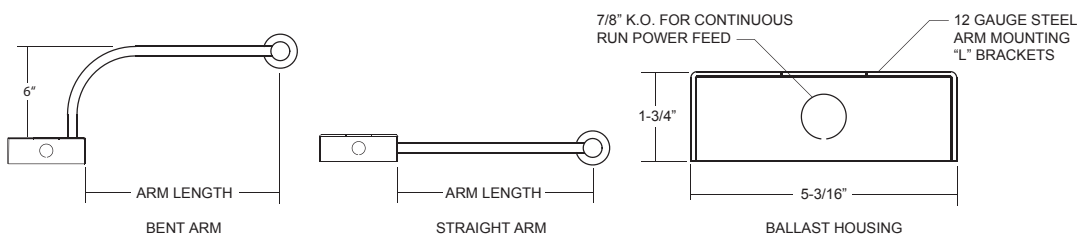
STK MOUNTING OPTIONS

STACK LIGHTING SYSTEM

ROTATIONAL, CONTINUOUS RUNS

- available with all Hailey fixture sizes
- 36° rotation with positive stop
- machined aluminum end caps and knuckles
- 5/8" dia. aluminum arms in standard and custom lengths and sizes available - consult factory
- straight or bent arms - custom designs are possible - consult factory
- single or double sided fixtures
- single fixture or continuous run application options
- easy installation of individual and continuous run fixtures
- add "STKSS" for single sided applications or "STKDS" for double sided applications under the "Mounting" section on the base fixture page

ARM LENGTH AND HOUSING SPECS



STK

Mounting
STKSS - Single Sided STack Lighting System
STKDS - Double Sided STack Lighting System

Fixture
HAI125 - 1.25" DIAMETER FIXTURE
HAI225 - 2.25" DIAMETER FIXTURE
HAI325 - 3.25" DIAMETER FIXTURE

Arm Style**
SA - Straight Arm
BA - Bent Arm***
CA - Custom Arm*

**Standard arm diameter is 5/8" - Consult factory for other options

***Bent Arm (BA) standard height is 6"

*Specify - Include drawing

Arm Length**
6 - 6"
9 - 9"
12 - 12"
18 - 18"
CU - Custom*

**Arm length is measured from the ballast housing face to the knuckle center

*Specify length in inches - Consult factory for length over 18"

End Cap / Arm / Knuckle Finish
MF - Match Fixture
SC - Satin Clear
BC - Bright Clear
FB - Flat Black
ML - Mill
CU - Custom*

Ballast Housing Finish (Powder coat)
AS - "Anodize" Silver
HRW - High Reflectance White
MW - Matte White
MB - Matte Black
CU - Custom*

*Consult factory for all Custom (CU or CA) options

Job Information

Type: _____

Job Name: _____

Location: _____

BIRCHWOOD LIGHTING

714.550.7118 • fax 714.550.7151 • www.BirchwoodLighting.com

NOTE: Specifications and dimensions are subject to change without notice.

