

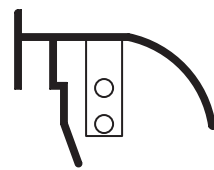
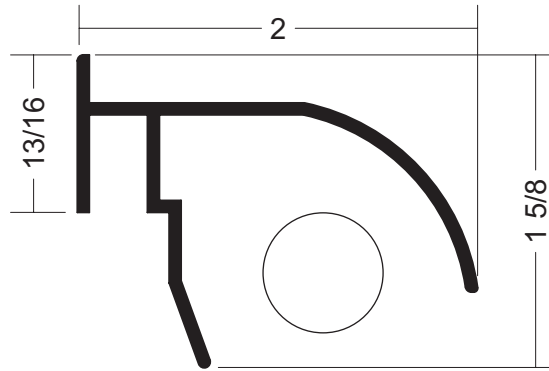
DISPLAY

520

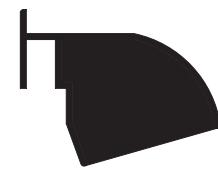
INTEGRAL T-RAIL

T2, T5, T8, HALOGEN, XENON

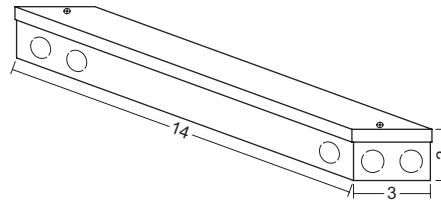
- extruded aluminum construction
- available in linear fluorescent or low-voltage incandescent lamps
- low-voltage lamps may be spaced 12", 9" or 6" on center
- two types of housing for remote ballast/transformer
- fixtures are built to order with lengths to the nearest 1/16"
- standard anodized finishes are listed. custom anodized and powdercoated finishes available
- all Display fixtures come standard with 9'-0" wire leads
- two types of wire feed offered
End Feed includes 6'-0" of 3/8" flexible conduit
Front Feed includes a matching 32" long 1/2" o.d. rigid downtube and 3'-0" of 3/8" flexible conduit
- optional mounting clips, end caps and lamp sleeves
- UL and C-UL Listed for Dry and Damp Locations



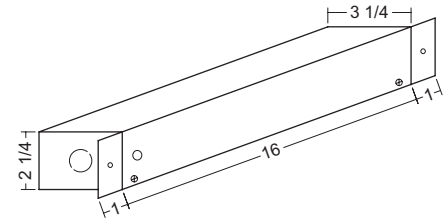
Flush-Mount / Wood-End
Mounting Clip
option: **MC01**



Smooth Finish
Matching Solid End Cap
option: **EC520**



Remote Power Box
BB14B
concealed mount



Remote Power Box
BB16A
flush mount

520

Reflector
Shape

Lamp Type

T2
T5
T5HO
T8

H10 - 10 watt halogen
H20 - 20 watt halogen
X10 - 10 watt xenon
X20 - 20 watt xenon
*when specifying halogen
or xenon, add 12, 9 or 6
for lamp on-center spacing*

Remote Power Box
BB14B
BB16A

Voltage

120
277
347

Length

specify required
length to the
nearest 1/16"

Finish

SC - Satin Clear
BC - Bright Clear
FB - Flat Black
BB - Bright Black
SG - Satin Gold
BG - Bright Gold
CU - Custom
(please specify)

Options

Feed Type

EFR - End Feed Right
EFL - End Feed Left
FFR - Front Feed Right
FFL - Front Feed Left
CU - custom (supply sketch)
"Right" is shown above

Job Information

Type

Job Name

Location

BIRCHWOOD LIGHTING

714.550.7118 • fax 714.550.7151 • www.BirchwoodLighting.com

NOTE: Specifications and dimensions are subject to change without notice.



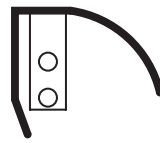
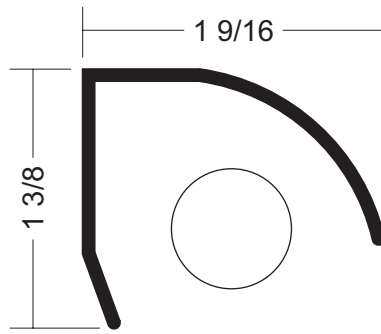
DISPLAY

510

QUARTER ROUND

T2, T5, T8, HALOGEN, XENON

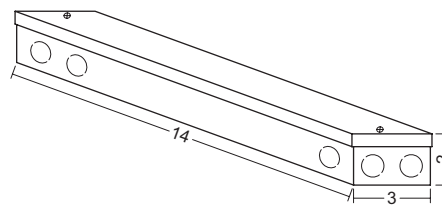
- extruded aluminum construction
- available in linear fluorescent or low-voltage incandescent lamps
- low-voltage lamps may be spaced 12", 9" or 6" on center
- two types of housing for remote ballast/transformer
- fixtures are built to order with lengths to the nearest 1/16"
- standard anodized finishes are listed. custom anodized and powdercoated finishes available
- all Display fixtures come standard with 9'-0" wire leads
- two types of wire feed offered
End Feed includes 6'-0" of 3/8" flexible conduit
Front Feed includes a matching 32" long 1/2" o.d. rigid downtube and 3'-0" of 3/8" flexible conduit
- optional mounting clips, end caps and lamp sleeves
- UL and C-UL Listed for Dry and Damp Locations



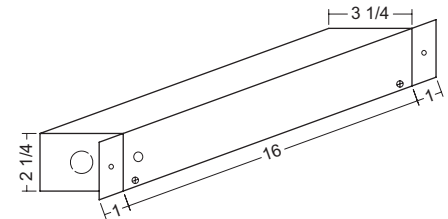
Flush-Mount / Wood-End
Mounting Clip
option: **MC01**



Smooth Finish
Matching Solid End Cap
option: **EC510**



Remote Power Box
BB14B
concealed mount



Remote Power Box
BB16A
flush mount

Job Information
Type _____
Job Name _____
Location _____

510	Reflector Shape	Lamp Type	Remote Power Box	Voltage	Length	Finish	Options
		T2 T5 T5HO T8 H10 - 10 watt halogen H20 - 20 watt halogen X10 - 10 watt xenon X20 - 20 watt xenon <i>when specifying halogen or xenon, add 12, 9 or 6 for lamp on-center spacing</i>	BB14B BB16A	120 277 347	specify required length to the nearest 1/16"	SC - Satin Clear BC - Bright Clear FB - Flat Black BB - Bright Black SG - Satin Gold BG - Bright Gold CU - Custom (please specify)	Feed Type EFR - End Feed Right EFL - End Feed Left FFR - Front Feed Right FFL - Front Feed Left CU - custom (supply sketch) "Right" is shown above

BIRCHWOOD LIGHTING

714.550.7118 • fax 714.550.7151 • www.BirchwoodLighting.com

NOTE: Specifications and dimensions are subject to change without notice.



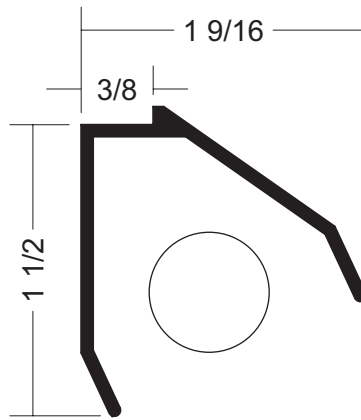
DISPLAY

530

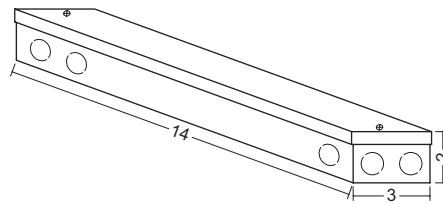
ANGLED

T2, T5, T8, HALOGEN, XENON

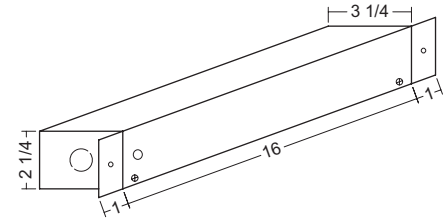
- extruded aluminum construction
- available in linear fluorescent or low-voltage incandescent lamps
- low-voltage lamps may be spaced 12", 9" or 6" on center
- two types of housing for remote ballast/transformer
- fixtures are built to order with lengths to the nearest 1/16"
- standard anodized finishes are listed. custom anodized and powdercoated finishes available
- all Display fixtures come standard with 9'-0" wire leads
- two types of wire feed offered
End Feed includes 6'-0" of 3/8" flexible conduit
Front Feed includes a matching 32" long 1/2" o.d. rigid downtube and 3'-0" of 3/8" flexible conduit
- optional mounting clips, end caps and lamp sleeves
- UL and C-UL Listed for Dry and Damp Locations



Smooth Finish
Matching Solid End Cap
option: **EC530**



Remote Power Box
BB14B
concealed mount



Remote Power Box
BB16A
flush mount

Job Information
Type
Job Name
Location

530	Reflector Shape	Lamp Type	Remote Power Box	Voltage	Length	Finish	Options
		T2 T5 T5HO T8	BB14B BB16A	120 277 347	specify required length to the nearest 1/16"	SC - Satin Clear FB - Flat Black CU - Custom (please specify)	Feed Type EFR - End Feed Right EFL - End Feed Left FFR - Front Feed Right FFL - Front Feed Left CU - custom (supply sketch) "Right" is shown above
		H10 - 10 watt halogen H20 - 20 watt halogen X10 - 10 watt xenon X20 - 20 watt xenon <i>when specifying halogen or xenon, add 12, 9 or 6 for lamp on-center spacing</i>					

BIRCHWOOD LIGHTING

714.550.7118 • fax 714.550.7151 • www.BirchwoodLighting.com

NOTE: Specifications and dimensions are subject to change without notice.



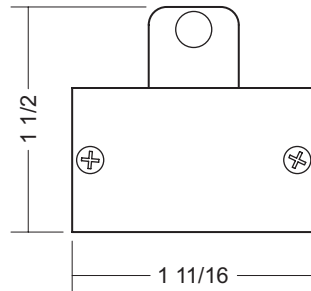
DISPLAY

560-IB

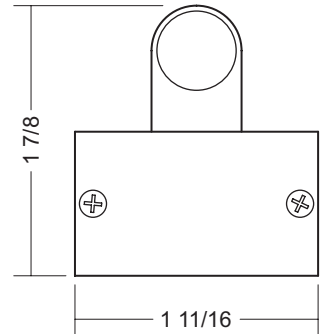
SQUARE

T2, T5, T8 INTEGRAL BALLAST

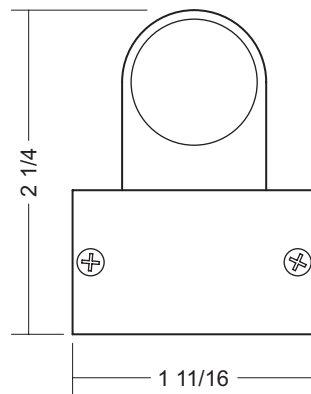
- extruded aluminum construction
- available in T2, T5, or T8 linear fluorescent lamp versions, low-voltage incandescent lamp version available (see 560-LV)
- standard integral ballasts are electronic
- standard anodized finishes are listed. custom anodized and powdercoated finishes available
- all 560-IB fixtures come standard with 9'-0" wire leads
- optional mounting clips and lamp sleeves
- UL and C-UL Listed for Dry and Damp Locations



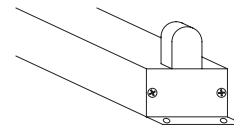
Dimensions for T2



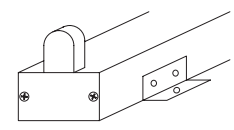
Dimensions for T5



Dimensions for T8



Mounting Clip option: MC04

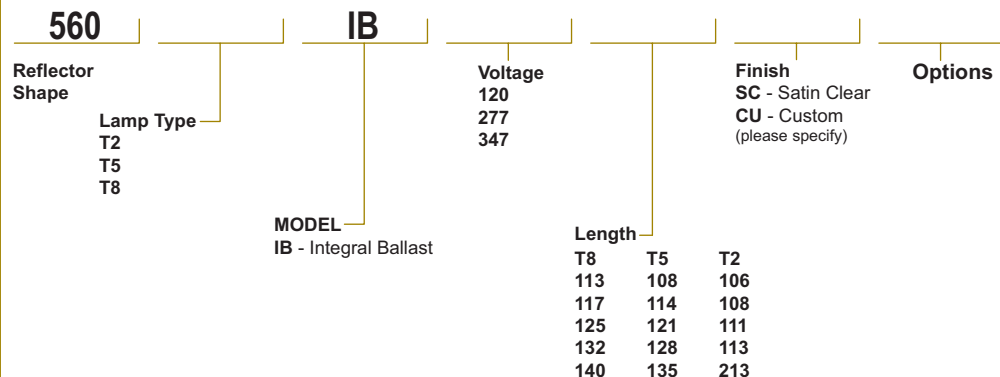


Mounting Clip option: MC03

ACTUAL FIXTURE LENGTHS					
T8		T5		T2	
113	12"	108	12 1/8"	106	9"
117	24"	114	22 7/16"	108	13"
125	36"	121	34 1/4"	111	17"
132	48"	128	46 1/16"	113	21"
140	60"	135	57 7/8"	213	42"

(contact the factory for additional lengths)

Job Information
Type
Job Name
Location



see chart above for actual lengths

BIRCHWOOD LIGHTING

714.550.7118 • fax 714.550.7151 • www.BirchwoodLighting.com

NOTE: Specifications and dimensions are subject to change without notice.



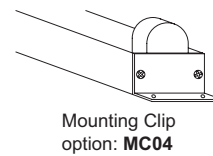
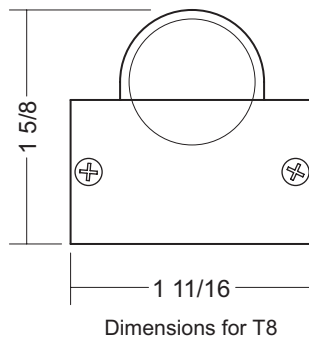
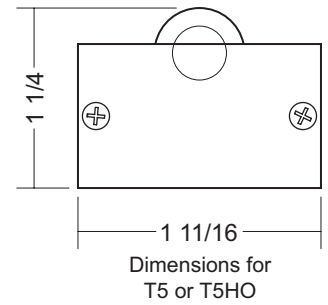
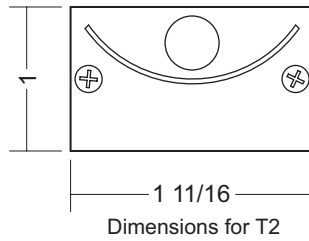
DISPLAY

560-RB

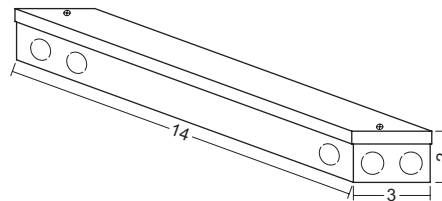
SHOWCASE / DISPLAY

T2, T5, T8 REMOTE BALLAST

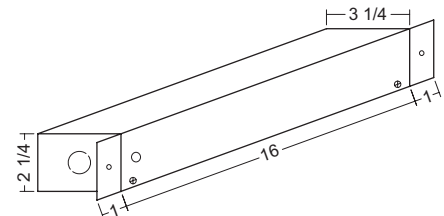
- extruded aluminum construction
- available T2, T5, T5HO and T8 linear fluorescent lamp versions, low-voltage incandescent lamp version available (see 560-LV)
- two types of housing for remote ballast/transformer
- standard anodized finishes are listed, custom anodized and powdercoated finishes available
- all 560-RB fixtures come standard with 9'-0" wire leads
- optional mounting clips and lamp sleeves
- UL and C-UL Listed for Dry and Damp Locations



ACTUAL FIXTURE LENGTHS							
T8		T5		T5HO		T2	
113	14"	108	14"	-	-	106	11"
117	26"	114	24 7/16"	124	24 7/16"	108	15"
125	38"	121	36 1/4"	139	36 1/4"	111	19"
132	50"	128	48 1/16"	154	48 1/16"	113	23"
140	62"	135	59 7/8"	180	59 7/8"	213	44"

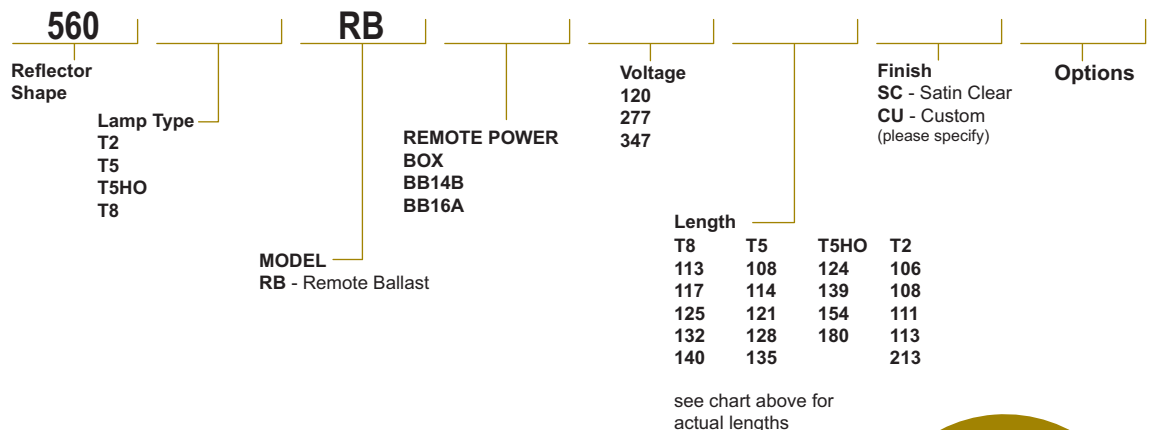


Remote Power Box
BB14B
concealed mount



Remote Power Box
BB16A
flush mount

Job Information
Type _____
Job Name _____
Location _____



BIRCHWOOD LIGHTING

714.550.7118 • fax 714.550.7151 • www.BirchwoodLighting.com

NOTE: Specifications and dimensions are subject to change without notice.



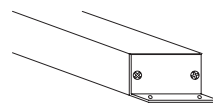
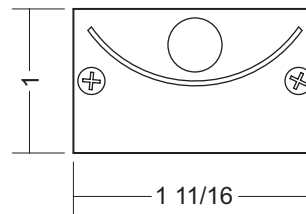
DISPLAY

560-LV

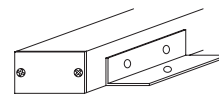
SQUARE

HALOGEN or XENON

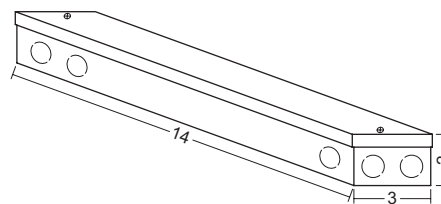
- extruded aluminum construction
- available in low-voltage halogen or xenon incandescent lamp versions, also available in linear fluorescent (see 560-RB or -IB)
- low-voltage lamps may be spaced 12", 9" or 6" on center
- two types of housing for remote ballast/transformer
- fixtures are built to order with lengths to the nearest 1/16"
- standard anodized finishes are listed, custom anodized and powdercoated finishes available
- all 560-LV fixtures come standard with 9'-0" wire leads
- optional mounting clips
- UL and C-UL Listed for Dry and Damp Locations



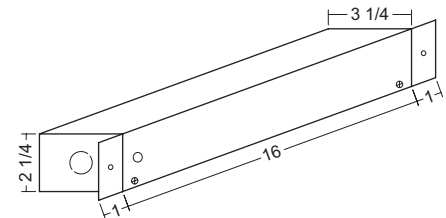
Mounting Clip
option: **MC04**



Mounting Clip
option: **MC03**

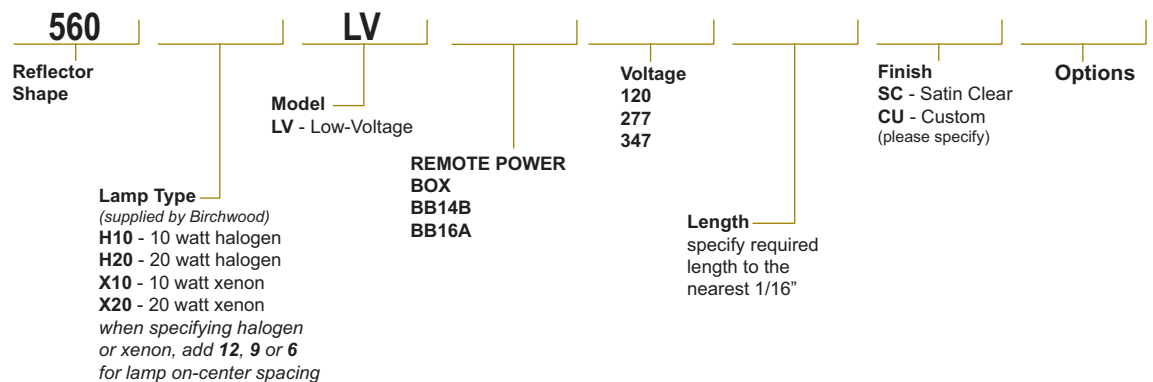


Remote Power Box
BB14B
concealed mount



Remote Power Box
BB16A
flush mount

Job Information	
Type	_____
Job Name	_____
Location	_____



BIRCHWOOD LIGHTING

714.550.7118 • fax 714.550.7151 • www.BirchwoodLighting.com

NOTE: Specifications and dimensions are subject to change without notice.



DISPLAY - p6

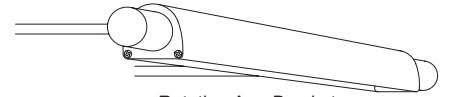
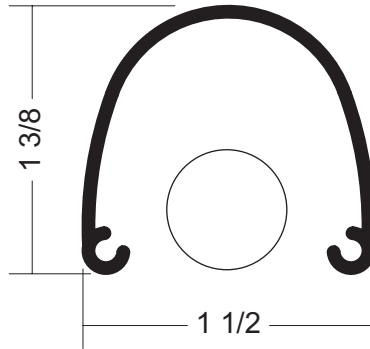
DISPLAY

580

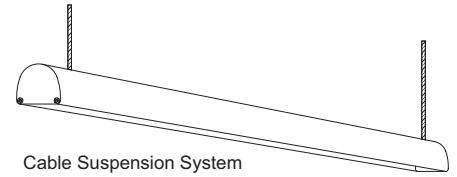
SEMI-ROUND

T2, T5, HALOGEN, XENON

- extruded aluminum construction
- available in linear fluorescent or low-voltage incandescent lamps
- low-voltage lamps may be spaced 12", 9" or 6" on center
- two types of housing for remote ballast/transformer
- fixtures are built to order with lengths to the nearest 1/16"
- standard anodized finishes are listed. custom anodized and powdercoated finishes available
- all Display fixtures come standard with 9'-0" wire leads
- two types of wire feed offered
End Feed includes 6'-0" of 3/8" flexible conduit
Front Feed includes a matching 32" long 1/2" o.d. rigid downtube and 3'-0" of 3/8" flexible conduit
- optional mounting clips, end caps and lamp sleeves
- UL and C-UL Listed for Dry and Damp Locations



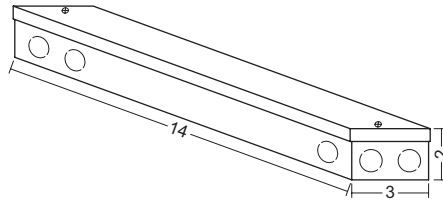
Rotating Arm Bracket
option: **RAB**
See Custom-p2 for details



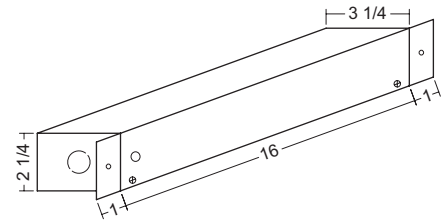
Cable Suspension System
option: **CSS**
See Custom-p1 for details



Mechanically Fastened
Matching Solid End Cap
option: **EC580**



Remote Power Box
BB14B
concealed mount



Remote Power Box
BB16A
flush mount

Job Information

Type _____

Job Name _____

Location _____

580

Reflector Shape

Lamp Type

T2
T5
T5HO

H10 - 10 watt halogen
H20 - 20 watt halogen
X10 - 10 watt xenon
X20 - 20 watt xenon
when specifying halogen or xenon, add 12, 9 or 6 for lamp on-center spacing

Remote Power Box
BB14B
BB16A

Voltage

120
277
347

Length
specify required length to the nearest 1/16"

Finish

SC - Satin Clear
BC - Bright Clear
FB - Flat Black
SG - Satin Gold
BG - Bright Gold
CU - Custom (please specify)

Options

Feed Type
EF - End Feed
FF - Front Feed
CU - custom (supply sketch)

BIRCHWOOD LIGHTING

714.550.7118 • fax 714.550.7151 • www.BirchwoodLighting.com

NOTE: Specifications and dimensions are subject to change without notice.



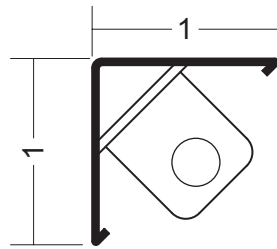
DISPLAY

595

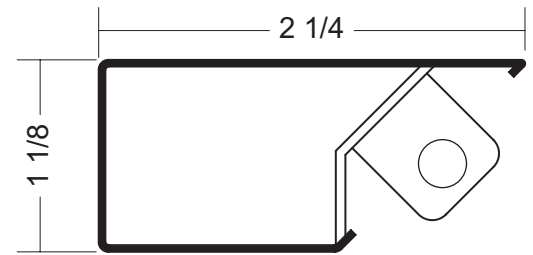
ANGLED

T2 SUBMINIATURE

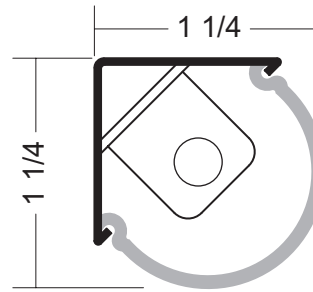
- formed aluminum construction
- available exclusively for T2 subminiature fluorescent lamps
- separate integral and remote ballast models
- two types of housing for remote ballast/transformer
- fixtures are available in standard or custom lengths to 1/16"
- available in satin clear anodized and powdercoated finishes. contact the factory for options
- all Display fixtures come standard with 9'-0" wire leads
- **End Feed** includes 6'-0" of 3/8" flexible conduit and all necessary connectors
- optional snap-on prismatic acrylic diffuser
- optional mounting clips, end caps and lamp sleeves
- UL and C-UL Listed for Dry and Damp Locations



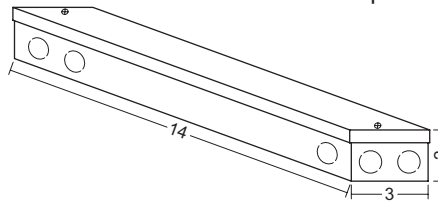
Model: 595-RB



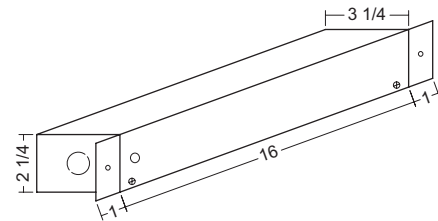
Model: 595-IB



Snap-on Prismatic Diffuser
option: PD



Remote Power Box
BB14B
concealed mount



Remote Power Box
BB16A
flush mount

595

Reflector
Shape

Voltage
120
277
347

Finish
SC - Satin Clear
CU - custom

Options

Remote Power Box
BB14B
BB16A
*leave blank if
specifying model "IB"*

Wattage / Length

06 - 9 5/8"
08 - 13 5/8"
11 - 17 5/8"
13 - 21 5/8"
if custom length is
required specify length
to the nearest 1/16"

Model
RB - Remote Ballast
IB - Integral Ballast

Job Information

Type

Job Name

Location

BIRCHWOOD LIGHTING

714.550.7118 • fax 714.550.7151 • www.BirchwoodLighting.com

NOTE: Specifications and dimensions are subject to change without notice.



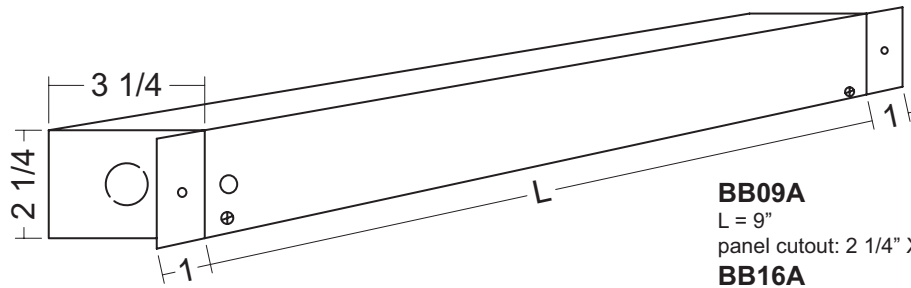
DISPLAY

BB09A, BB16A
BB14B, BB18B, BB23B
BB04C

REMOTE HOUSINGS

BALLASTS/TRANSFORMERS

- used for remote ballasts or transformers
- formed aluminum construction
- standard finish is mill aluminum
- custom powder coat finishes are available
- standard sizes shown, custom sizes are available
- all models feature several conveniently located trade size knock-outs (K.O.'s)
- UL and C-UL Listed for Dry and Damp Locations

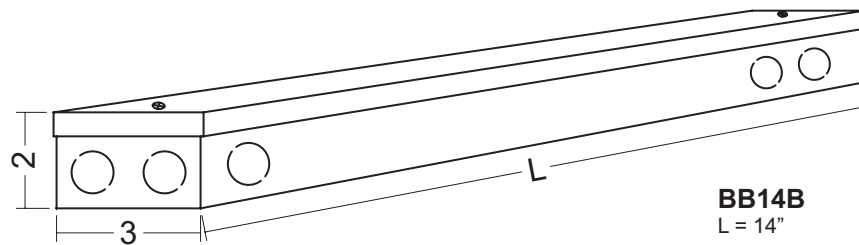


BB09A

L = 9"
 panel cutout: 2 1/4" X 9 1/16"

BB16A

L = 16"
 panel cutout: 2 1/4" X 16 1/16"
 recess/panel mount
 includes on-off push button switch
 optional convenience receptacle



BB14B

L = 14"

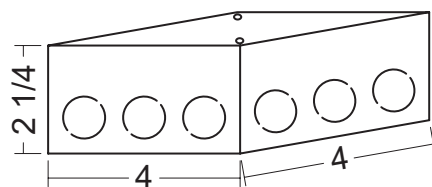
BB18B

L = 18"

BB23B

L = 23"

surface mount in any orientation



BB04C

Job Information	
Type	_____
Job Name	_____
Location	_____

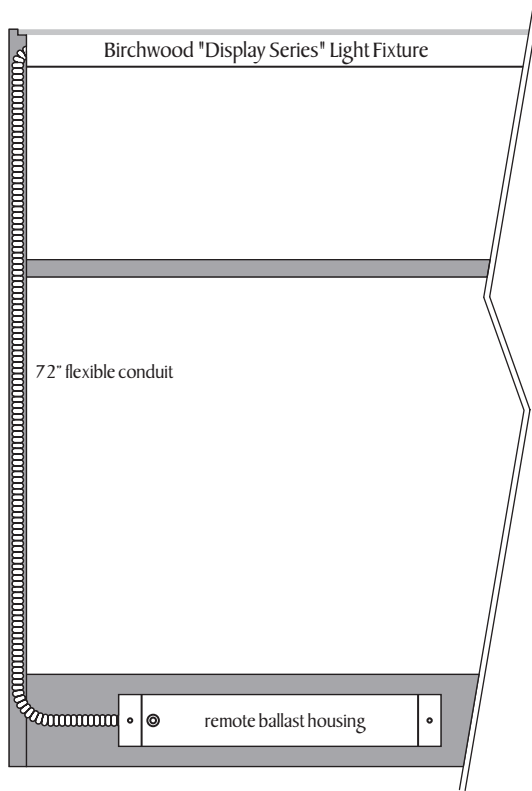
BIRCHWOOD LIGHTING

714.550.7118 • fax 714.550.7151 • www.BirchwoodLighting.com

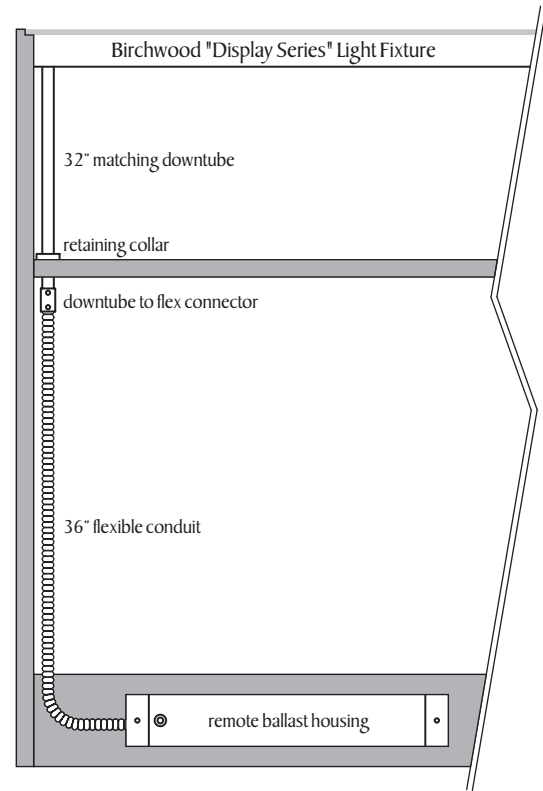
NOTE: Specifications and dimensions are subject to change without notice.



Display Series Feed Types



END FEED



FRONT FEED

Job Information
Type

Job Name

Location

BIRCHWOOD LIGHTING

714.550.7118 • fax 714.550.7151 • www.BirchwoodLighting.com

NOTE: Specifications and dimensions are subject to change without notice.

rev 0308



DISPLAY - p10