

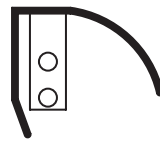
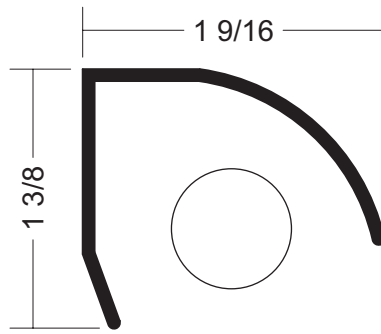
DISPLAY

510

QUARTER ROUND

T2, T5, T8, HALOGEN, XENON

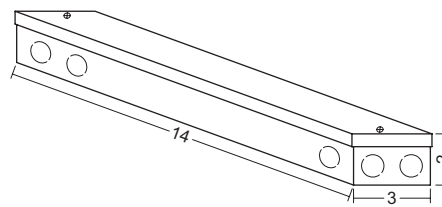
- extruded aluminum construction
- available in linear fluorescent or low-voltage incandescent lamps
- low-voltage lamps may be spaced 12", 9" or 6" on center
- two types of housing for remote ballast/transformer
- fixtures are built to order with lengths to the nearest 1/16"
- standard anodized finishes are listed. custom anodized and powdercoated finishes available
- all Display fixtures come standard with 9'-0" wire leads
- two types of wire feed offered
End Feed includes 6'-0" of 3/8" flexible conduit
Front Feed includes a matching 32" long 1/2" o.d. rigid downtube and 3'-0" of 3/8" flexible conduit
- optional mounting clips, end caps and lamp sleeves
- UL and C-UL Listed for Dry and Damp Locations



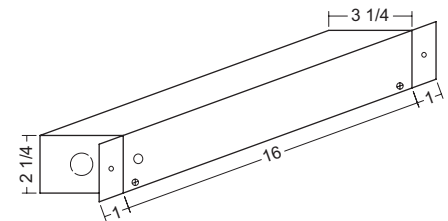
Flush-Mount / Wood-End
Mounting Clip
option: **MC01**



Smooth Finish
Matching Solid End Cap
option: **EC510**



Remote Power Box
BB14B
concealed mount



Remote Power Box
BB16A
flush mount

Job Information
Type _____
Job Name _____
Location _____

510	Reflector Shape	Lamp Type	Remote Power Box	Voltage	Length	Finish	Options
		T2 T5 T5HO T8 H10 - 10 watt halogen H20 - 20 watt halogen X10 - 10 watt xenon X20 - 20 watt xenon <i>when specifying halogen or xenon, add 12, 9 or 6 for lamp on-center spacing</i>	BB14B BB16A	120 277 347	specify required length to the nearest 1/16"	SC - Satin Clear BC - Bright Clear FB - Flat Black BB - Bright Black SG - Satin Gold BG - Bright Gold CU - Custom (please specify)	Feed Type EFR - End Feed Right EFL - End Feed Left FFR - Front Feed Right FFL - Front Feed Left CU - custom (supply sketch) "Right" is shown above

BIRCHWOOD LIGHTING

714.550.7118 • fax 714.550.7151 • www.BirchwoodLighting.com

NOTE: Specifications and dimensions are subject to change without notice.

