

ANDIBRANDIBRA

WET LOCATION LUMINAIRE

Lighting Designer: PBQA
Photographer: Kenneth Naversen



BIRCHWOOD LIGHTING

BRANDI - Wet Location Luminaire

With its sleek, compact, and robust design, BRANDI is designed for use in architectural projects allowing a performance driven luminaire to blend into the surrounding environment. The design criterion used when creating the Brandi was to make an inconspicuous yet power lighting instrument that can handle outdoor, wet location environments.

In addition to being one of the most cost effective wet location lighting systems in the world, Brandi is UL Wet Location listed for use in various mounting orientations and heights and is built to be to the highest quality that Birchwood is known for.

Lamp Types

Brandi comes in single lamp cross section T5, T5HO, and T8 with other fluorescent versions available. Whether the requirement is a subtle effect or lighting the entire space, there is a Brandi version to do the job. Utilizing different Kelvin temperature lamps lends Brandi to all kinds of projects, including commercial, health care, educational, corporate, retail and residential applications.

Material

Brandi is constructed from heavy gauge steel or heavy gauge extruded aluminum with machined aluminum end caps for a precision fit. Post production multi-coat process powder coat treatment, including epoxy undercoat, for strong rust inhibiting protection.

Lens Options

The Brandi series utilizes the natural UV inhibitors characteristic of acrylic to maintain lens colors and consistency. Various finishes include, but are certainly not limited to: clear, opal, satin ice clear, and satin ice white. Custom lenses are available – please contact the factory for further information.

Ballasts

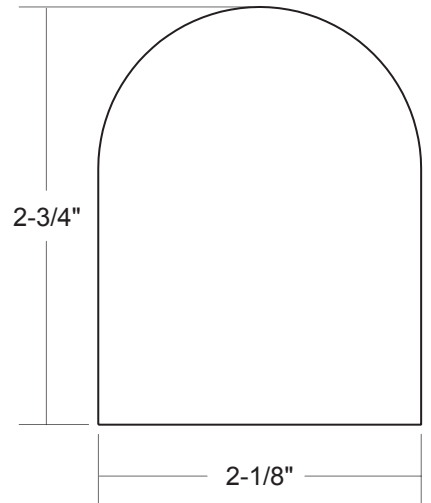
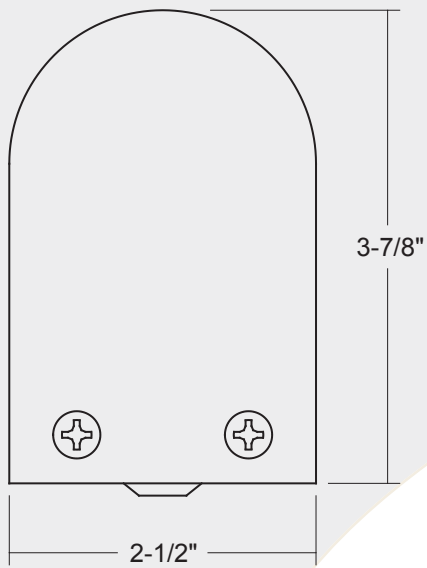
There are several standard and dimming ballast options available with the Brandi. Emergency battery packs can be factory installed and wired accordingly. Birchwood Lighting works closely with all of the industry's major names in lamps and ballasts, if there is a specific ballast you need, we can get it for you.

This keeps us on the cutting edge of technological advancements in our industry.





TDEC

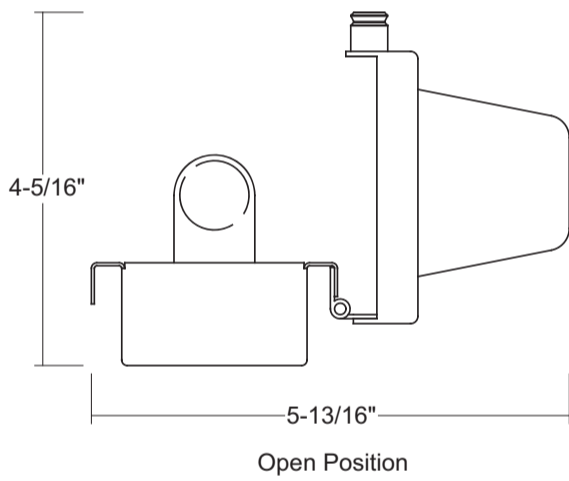
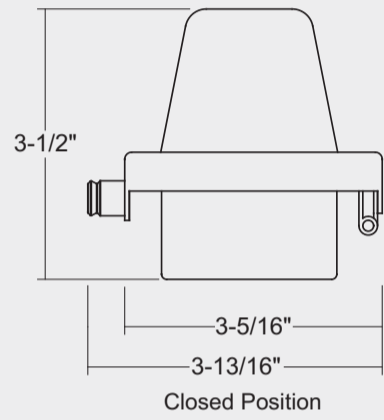


BABY BRANDI





D-HD HINGED DOOR



P. 714.550.7118 · F. 714.550.7151

