

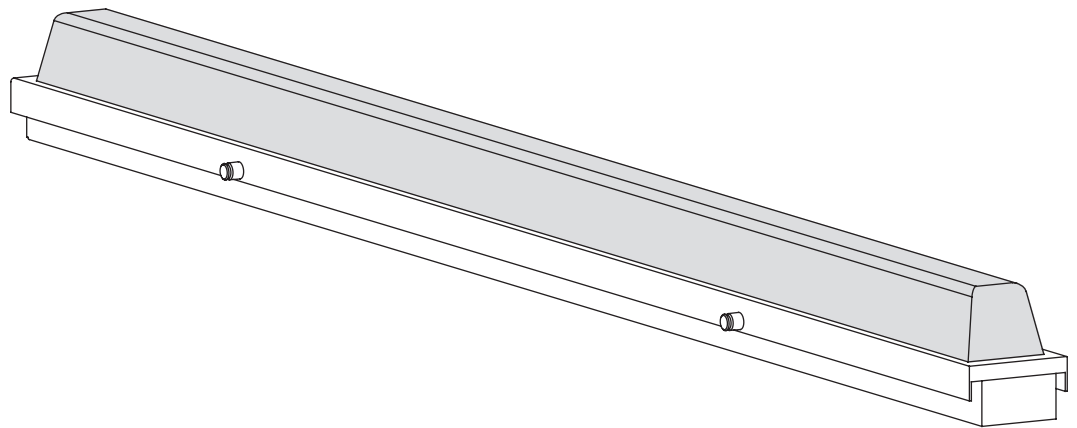
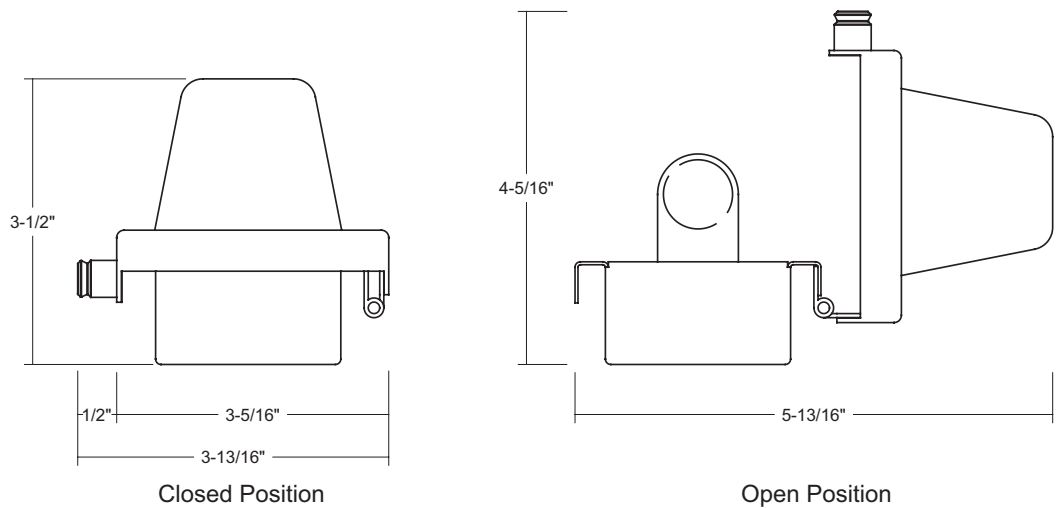
## BRANDI™

**BRA-T5-D-HD**  
**BRA-T5HO-D-HD**  
**BRA-T8-D-HD**

### HINGED DOOR

#### T5, T5HO or T8 LINEAR LAMP

- 18 gauge steel construction
- fixtures are available in nominal lengths of 2, 3, 4 and 5 feet. see part numbers to the right for actual fixture lengths
- single T5, T5HO or T8 fluorescent, other lamp types available (consult factory)
- features tool-less fasteners, vandal resistant fasteners also available (consult factory)
- variety of acrylic lens shapes, materials and finishes available (consult factory)
- standard ballasts are integral electronic, consult Options p5 for available types of dimming and emergency ballasts
- powder coat done post production for strong rust inhibiting protection
- standard finish is Anodized Silver other finishes are also available
- surface or pendant mount
- UL and C-UL Listing for Wet Locations



BRA		D-HD		Voltage		Length		Finish		Options		
Family	BRANDI	Lamp Type	T5 T5HO T8	Model	D-HD - Hinged Door	120 277 347	T5 114 - 24 3/4\" 121 - 36 5/8\" 128 - 48 3/8\" 135 - 60 1/8\"	AS - Anodized Silver HRW - High Reflectivity White CU - Custom (please specify)				
		Acrylic	ACSIW - Satin Ice Frosted White (54% transmission) ACSIC - Satin Ice Frosted Clear (92% transmission) ACC - Smooth Clear (95% transmission)			Ballast	T5HO 124 - 24 3/4\" 139 - 36 5/8\" 154 - 48 3/8\" 180 - 60 1/8\"	FEED POINT BK - fitting on back 1END - fitting on one end of fixture only 2END - fitting on both ends of fixture CU - custom feed point (please specify) PDMT - stem pendant mount 24\" stems standard consult the factory for other available conduit or power feed options				
		*consult factory for other acrylic lens options.					T8 117 - 25 15/16\" 125 - 37 15/16\" 132 - 49 15/16\" 140 - 61 7/8\"					
							DIM__ - dimming* EM__ - emergency* *refer to Options p5 for DIM__ and EM__ options code. fixture size may need to be adjusted.					

Job Information
Type
Job Name
Location

# BIRCHWOOD LIGHTING

714.550.7118 • fax 714.550.7151 • www.BirchwoodLighting.com

NOTE: Specifications and dimensions are subject to change without notice.

