

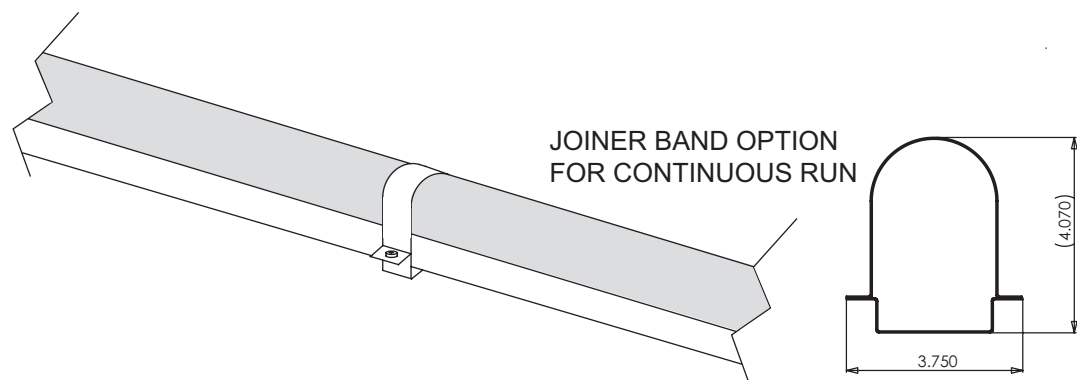
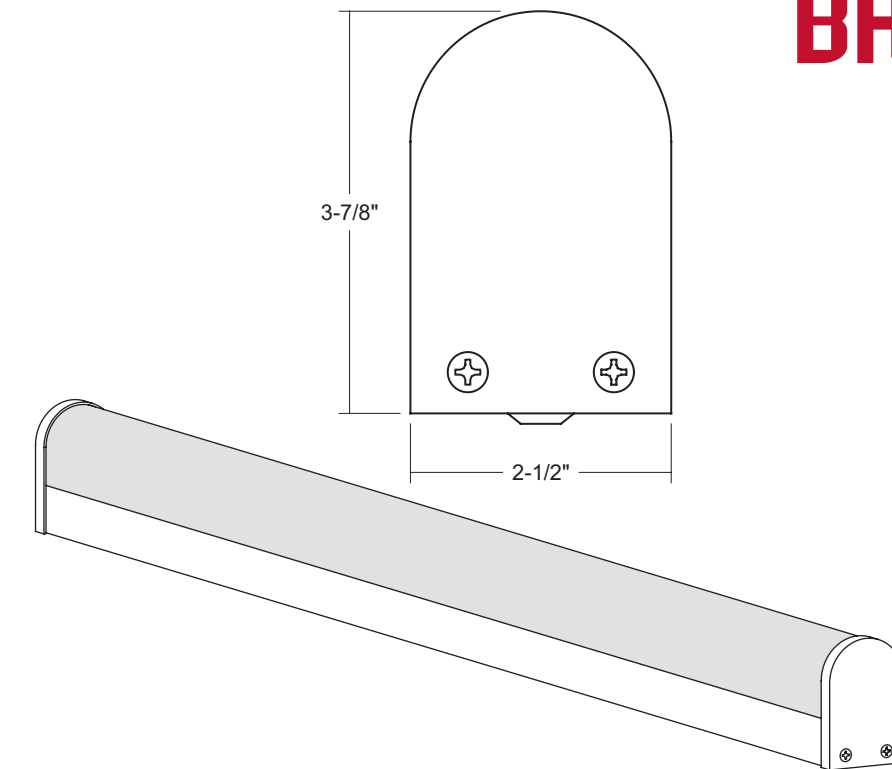
BRANDI™

BRA-T5-TDEC
BRA-T5HO-TDEC
BRA-T8-TDEC

TEAR DROP END CAP
WET LOCATION

T5, T5HO or T8 LINEAR LAMP

- 18 gauge steel construction
- milled aluminum end caps for precise fit
- fixtures are available in nominal lengths of 2, 3, 4 and 5 feet. see part numbers to the right for actual fixture lengths
- single T5, T5HO or T8 fluorescent. other lamp types available (consult factory)
- variety of acrylic lens shapes, materials and finishes available (consult factory)
- standard ballasts are integral electronic. consult Options p5 for available types of dimming and emergency ballasts
- powder coat done post production for strong rust inhibiting protection
- standard finish is Anodized Silver. other finishes are also available
- surface or pendant mount
- UL and C-UL Listing for Wet Locations



BRA		TDEC		Voltage		Length		Finish	
Family BRANDI	Lamp Type T5 T5HO T8	Model TDEC - Tear Drop End Cap	Acrylic ACSIW - Satin Ice Frosted White (54% transmission) ACSIC - Satin Ice Frosted Clear (92% transmission) ACC - Smooth Clear (95% transmission) <i>*consult factory for other acrylic lens options.</i>	120 277 347	Ballast EB - electronic DIM__ - dimming* EM__ - emergency* <i>*refer to Options p5 for DIM__ and EM__ options code. fixture size may need to be adjusted.</i>	STAND ALONE UNITS T5 114 - 23 1/2" 121 - 35 3/8" 128 - 47 1/8" 135 - 59" T5HO 124 - 23 1/2" 139 - 35 3/8" 154 - 47 1/8" 180 - 59" T8 117 - 25 1/8" 125 - 37 1/8" 132 - 49 1/8" 140 - 61"	RUN- Continuous Run** (specify run length) FEED POINT BK - fitting on back 1END - fitting on one end of fixture only 2END - fitting on both ends of fixture CU - custom feed point (please specify) PDMT - stem pendant mount 24" stems standard consult the factory for other available conduit or power feed options	AS - Anodized Silver HRW - High Reflectivity White CU - Custom (please specify)	Options

Job Information
Type
Job Name
Location

**Note: Must specify RUN for continuous mounting. Stand Alone units cannot be configured for continuous runs

BIRCHWOOD LIGHTING

714.550.7118 • fax 714.550.7151 • www.BirchwoodLighting.com

NOTE: Specifications and dimensions are subject to change without notice.

