

ASHLEY™

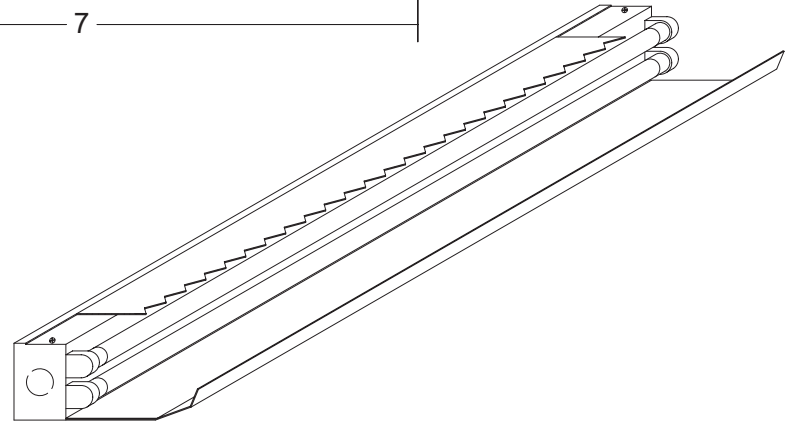
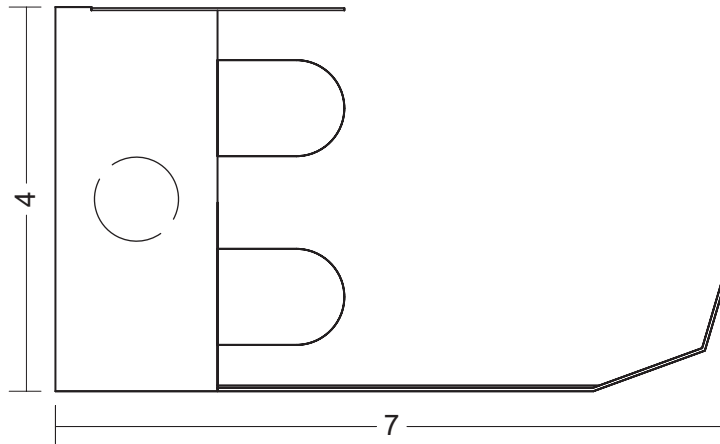
ASH-2T8

SHADOW FREE COVE

2T8 LINEAR LAMPS

- .050 aluminum construction
- combination of high reflectivity white and specular hammertone reflectors
- saw tooth deflector creates even light on the ceiling and in the cove
- double T8 fluorescent lamps, other lamp types available
- standard units are tandem wired, master/satellite configuration with built-in electronic ballasts
- refer to Options sect. for dimming and emergency ballast options
- UL and C-UL Listed for Dry and Damp Locations

see "How to Build an Effective Cove" section in this catalog or at www.BirchwoodLighting.com



ASH

Family

2T8

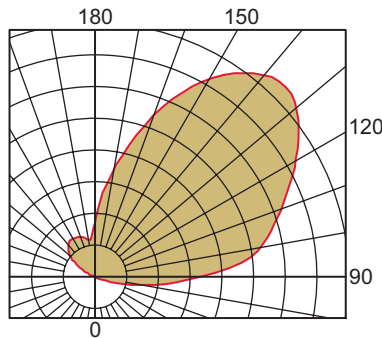
Lamp Type
2T8

Voltage
120
277
347

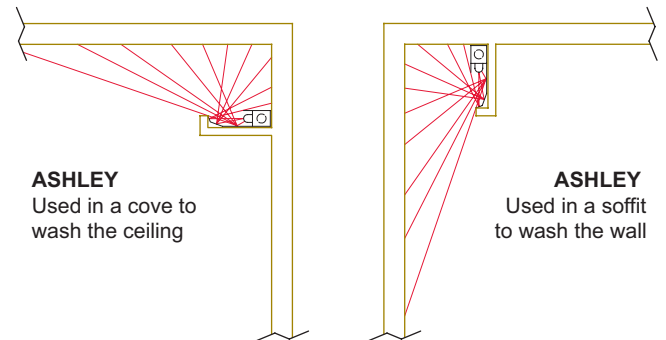
Ballast Type
EB - electronic
DIM__ - dimming*
EM__ - emergency*
*refer to Options p5 for DIM__ and EM__ options code

Length
117 - 24"
125 - 36"
132 - 48"
R_ - run length runs are made up of 4' nominal fixtures unless otherwise specified

Options



For a complete photometric report and IES file go to www.BirchwoodLighting.com or contact the factory



ASHLEY
Used in a cove to wash the ceiling

ASHLEY
Used in a soffit to wash the wall

Job Information

Type

Job Name

Location

BIRCHWOOD LIGHTING

714.550.7118 • fax 714.550.7151 • www.BirchwoodLighting.com

NOTE: Specifications and dimensions are subject to change without notice.

