

ASHLEY™

ASH-2T5 ASH-2T5HO

SHADOW FREE COVE

2T5 or 2T5HO LINEAR LAMPS

- .050 aluminum construction
- combination of high reflectivity white and specular hammertone reflectors
- saw tooth deflector creates even light on the ceiling and in the cove
- double T5 or T5HO fluorescent, other lamp types available
- standard units are tandem wired, master/satellite configuration with built-in electronic ballasts
- refer to Options sect. for dimming and emergency ballast options
- UL and C-UL Listed for Dry and Damp Locations

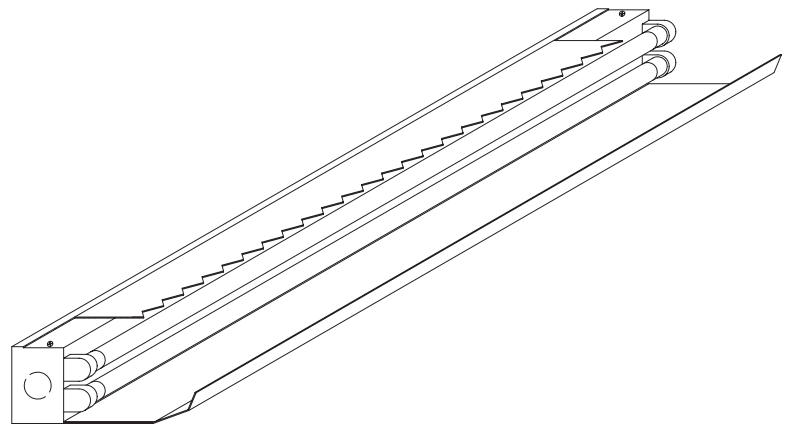
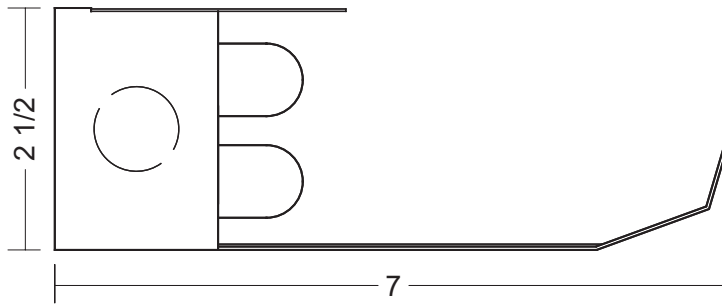
see "How to Build an Effective Cove" section in this catalog or at www.BirchwoodLighting.com

Job Information

Type _____

Job Name _____

Location _____



ASH

Family

Lamp Type
2T5
2T5HO

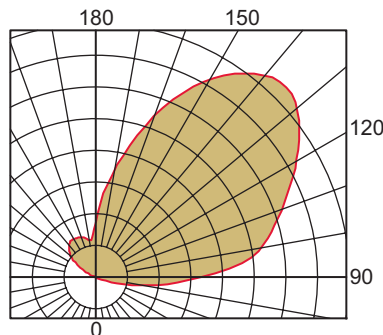
Voltage
120
277
347

Ballast Type
EB - electronic
DIM__ - dimming*
EM__ - emergency*
*refer to Options p5
for DIM__ and EM__
options code

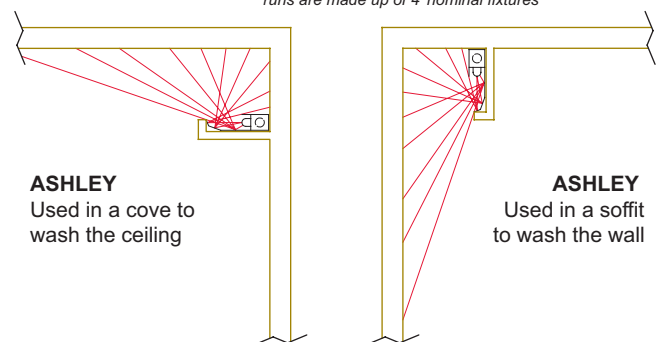
Length
T5
114 - 22 1/2"
121 - 34 3/8"
128 - 46 1/8"
T5HO
124 - 22 1/2"
139 - 34 3/8"
154 - 46 1/8"
R_ - run length

Options

runs are made up of 4' nominal fixtures



For a complete photometric report and IES file go to www.BirchwoodLighting.com or contact the factory



ASHLEY
Used in a cove to
wash the ceiling

ASHLEY
Used in a soffit
to wash the wall

BIRCHWOOD LIGHTING

714.550.7118 • fax 714.550.7151 • www.BirchwoodLighting.com

NOTE: Specifications and dimensions are subject to change without notice.

