

ASHLEY™

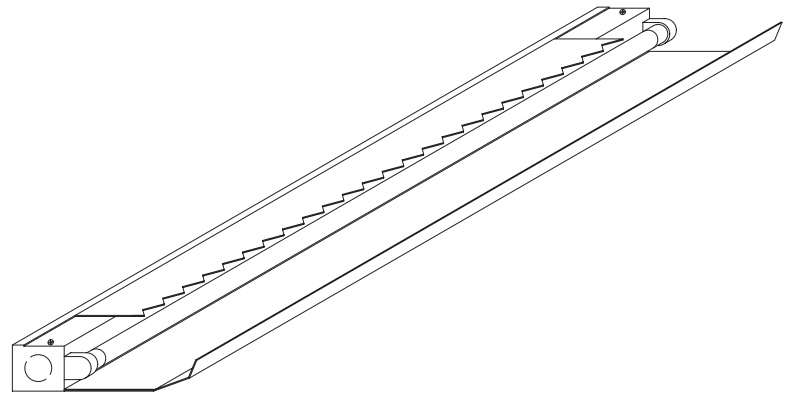
ASH-T8

SHADOW FREE COVE

T8 LINEAR LAMP

- .050 aluminum construction
- combination of high reflectivity white and specular hammertone reflectors
- saw tooth deflector creates even light on the ceiling and in the cove
- single T8 fluorescent lamp, other lamp types available
- standard units are tandem wired, master/satellite configuration with built-in electronic ballasts
- refer to Options sect. for dimming and emergency ballast options
- UL and C-UL Listed for Dry and Damp Locations

see "How to Build an Effective Cove" section in this catalog or at www.BirchwoodLighting.com



ASH

Family

T8

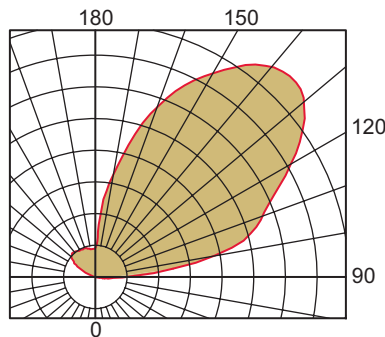
Lamp Type
T8

Voltage
120
277
347

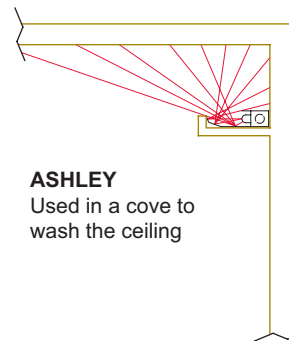
Ballast Type
EB - electronic
EM__ - emergency*
*refer to Options p5
for DIM__ and EM__
options code

Length
117 - 24"
125 - 36"
132 - 48"
R_ - run length
runs are made up of
4' nominal fixtures
unless otherwise
specified

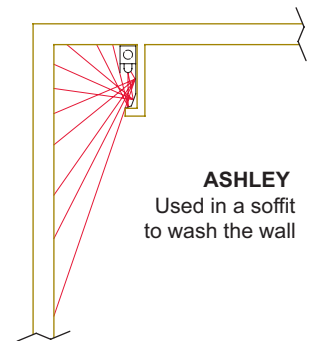
Options



For a complete photometric report and IES file go to www.BirchwoodLighting.com or contact the factory



ASHLEY
Used in a cove to
wash the ceiling



ASHLEY
Used in a soffit
to wash the wall

Job Information

Type

Job Name

Location

BIRCHWOOD LIGHTING

714.550.7118 • fax 714.550.7151 • www.BirchwoodLighting.com

NOTE: Specifications and dimensions are subject to change without notice.

