

ASHLEY™

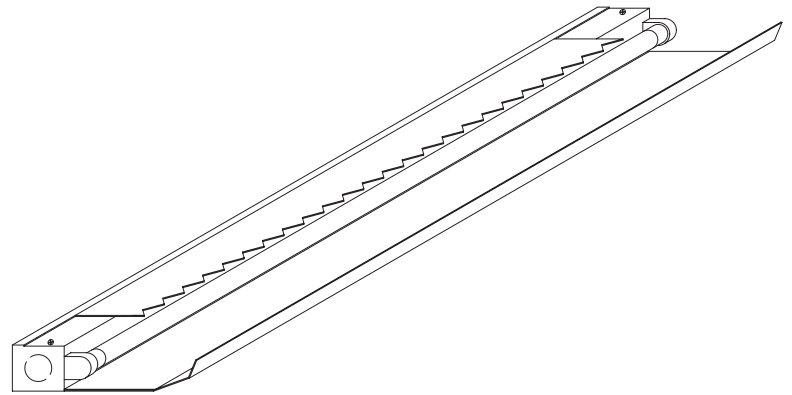
ASH-T5 ASH-T5HO

SHADOW FREE COVE

T5 or T5HO LINEAR LAMP

- .050 aluminum construction
- combination of high reflectivity white and specular hammertone reflectors
- saw tooth deflector creates even light on the ceiling and in the cove
- single T5 or T5HO fluorescent, other lamp types available
- standard units are tandem wired, master/satellite configuration with built-in electronic ballasts
- refer to Options Sect. for dimming and emergency ballast options
- UL and C-UL Listed for Dry and Damp Locations

see "How to Build an Effective Cove" section in this catalog or at www.BirchwoodLighting.com



ASH

Family

Lamp Type
T5
T5HO

Voltage
120
277
347

Ballast Type

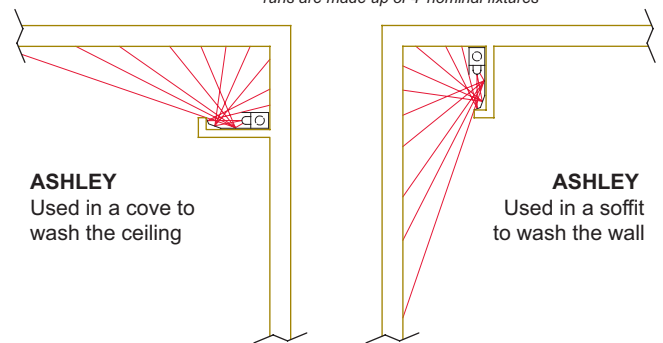
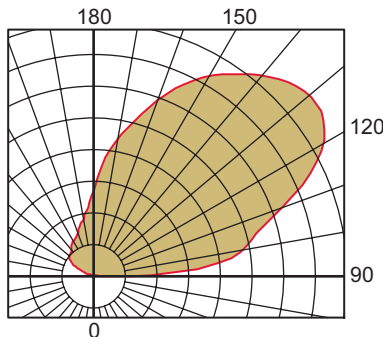
EB - electronic
DIM__ - dimming*
EM__ - emergency*
*refer to Options p5 for DIM__ and EM__ options code

Length

T5
114 - 22 1/2"
121 - 34 3/8"
128 - 46 1/8"
T5HO
124 - 22 1/2"
139 - 34 3/8"
154 - 46 1/8"

Options

R_ - run length
runs are made up of 4' nominal fixtures



ASHLEY
Used in a cove to wash the ceiling

ASHLEY
Used in a soffit to wash the wall

For a complete photometric report and IES file go to www.BirchwoodLighting.com or contact the factory

Job Information

Type _____

Job Name _____

Location _____

BIRCHWOOD LIGHTING

714.550.7118 • fax 714.550.7151 • www.BirchwoodLighting.com

NOTE: Specifications and dimensions are subject to change without notice.

