

ASHLEY™

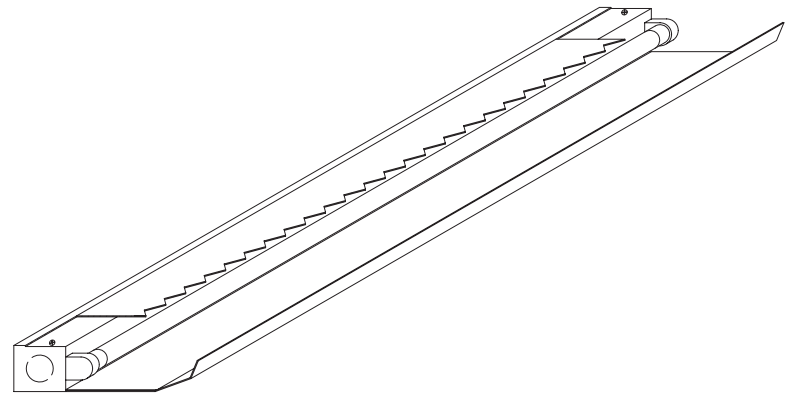
ASH-T5 ASH-T5HO

SHADOW FREE COVE

T5 or T5HO LINEAR LAMP

- .050 aluminum construction
- combination of high reflectivity white and specular hammertone reflectors
- saw tooth deflector creates even light on the ceiling and in the cove
- single T5 or T5HO fluorescent, other lamp types available
- standard units are tandem wired, master/satellite configuration with built-in electronic ballasts
- refer to Options Sect. for dimming and emergency ballast options
- UL and C-UL Listed for Dry and Damp Locations

see "How to Build an Effective Cove" section in this catalog or at www.BirchwoodLighting.com



ASH

Family

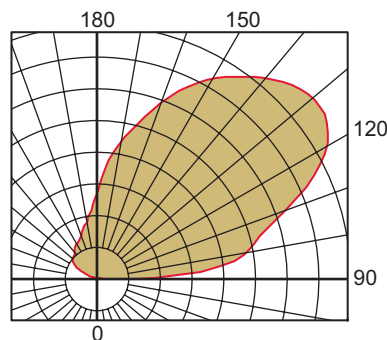
Lamp Type
T5
T5HO

Voltage
120
277
347

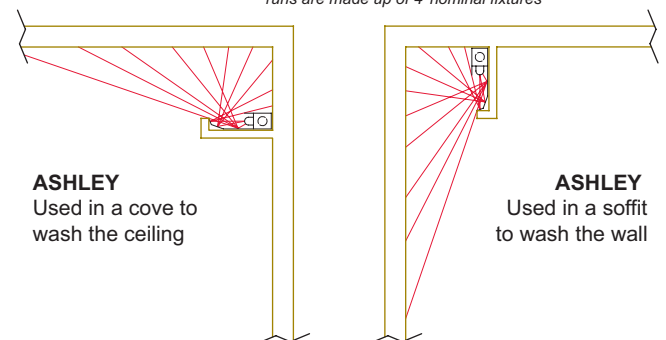
Ballast Type
EB - electronic
DIM__ - dimming*
EM__ - emergency*
*refer to Options p5 for DIM__ and EM__ options code

Length
T5
114 - 22 1/2"
121 - 34 3/8"
128 - 46 1/8"
T5HO
124 - 22 1/2"
139 - 34 3/8"
154 - 46 1/8"
R_ - run length
runs are made up of 4' nominal fixtures

Options



For a complete photometric report and IES file go to www.BirchwoodLighting.com or contact the factory



ASHLEY
Used in a cove to wash the ceiling

ASHLEY
Used in a soffit to wash the wall

Job Information

Type

Job Name

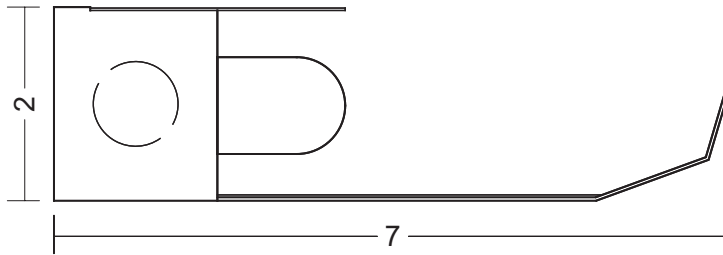
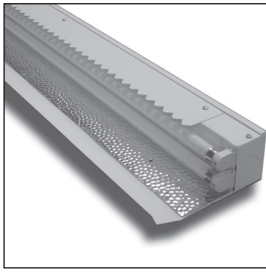
Location

BIRCHWOOD LIGHTING

714.550.7118 • fax 714.550.7151 • www.BirchwoodLighting.com

NOTE: Specifications and dimensions are subject to change without notice.





ASHLEY™

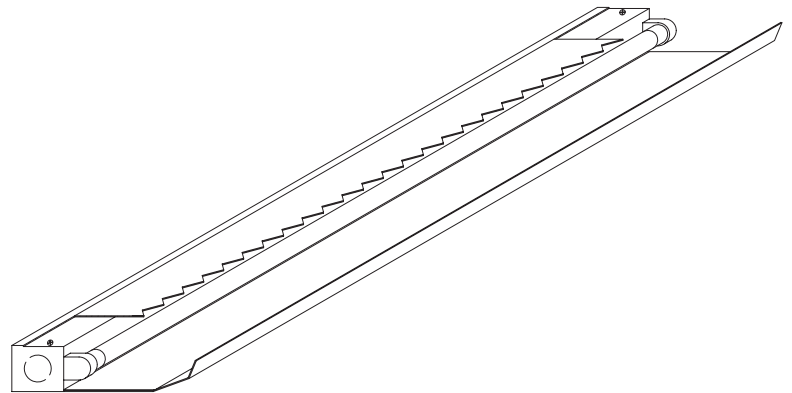
ASH-T8

SHADOW FREE COVE

T8 LINEAR LAMP

- .050 aluminum construction
- combination of high reflectivity white and specular hammertone reflectors
- saw tooth deflector creates even light on the ceiling and in the cove
- single T8 fluorescent lamp, other lamp types available
- standard units are tandem wired, master/satellite configuration with built-in electronic ballasts
- refer to Options sect. for dimming and emergency ballast options
- UL and C-UL Listed for Dry and Damp Locations

see "How to Build an Effective Cove" section in this catalog or at www.BirchwoodLighting.com



ASH

Family

T8

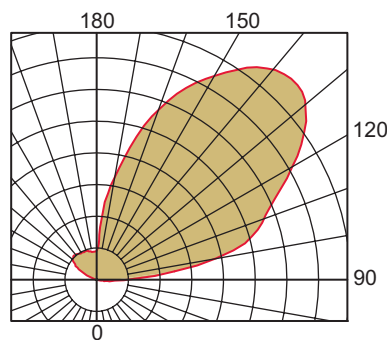
Lamp Type
T8

Voltage
120
277
347

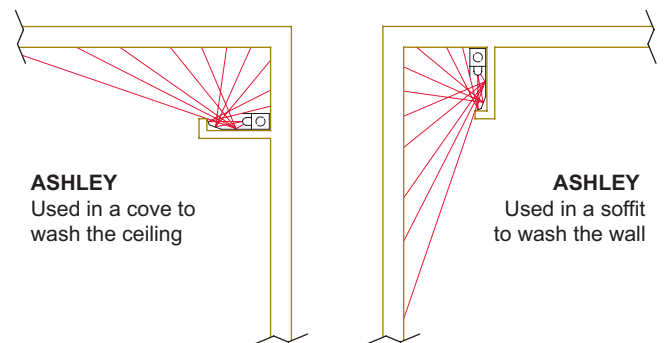
Ballast Type
EB - electronic
EM__ - emergency*
*refer to Options p5
for DIM__ and EM__
options code

Length
117 - 24"
125 - 36"
132 - 48"
R_ - run length
runs are made up of
4' nominal fixtures
unless otherwise
specified

Options



For a complete photometric report and IES file go to www.BirchwoodLighting.com or contact the factory



ASHLEY
Used in a cove to
wash the ceiling

ASHLEY
Used in a soffit
to wash the wall

Job Information

Type

Job Name

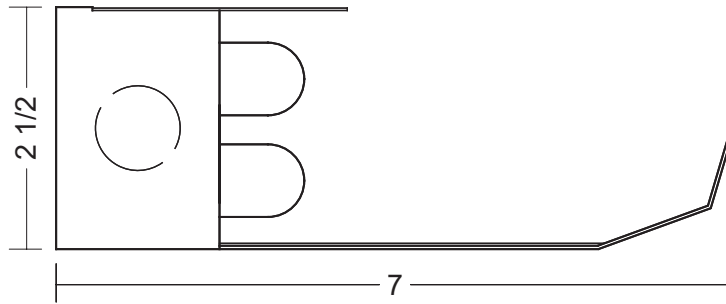
Location

BIRCHWOOD LIGHTING

714.550.7118 • fax 714.550.7151 • www.BirchwoodLighting.com

NOTE: Specifications and dimensions are subject to change without notice.





ASHLEY™

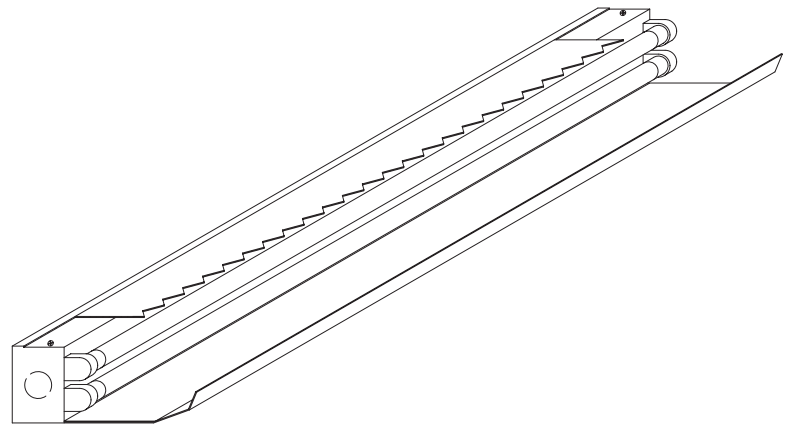
ASH-2T5 ASH-2T5HO

SHADOW FREE COVE

2T5 or 2T5HO LINEAR LAMPS

- .050 aluminum construction
- combination of high reflectivity white and specular hammertone reflectors
- saw tooth deflector creates even light on the ceiling and in the cove
- double T5 or T5HO fluorescent, other lamp types available
- standard units are tandem wired, master/satellite configuration with built-in electronic ballasts
- refer to Options sect. for dimming and emergency ballast options
- UL and C-UL Listed for Dry and Damp Locations

see "How to Build an Effective Cove" section in this catalog or at www.BirchwoodLighting.com



ASH

Family

Lamp Type
2T5
2T5HO

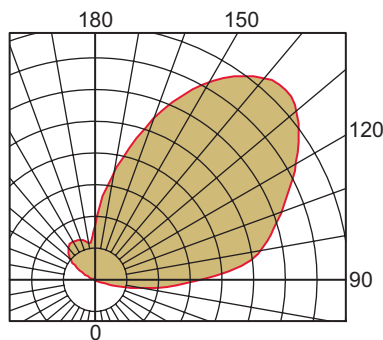
Voltage
120
277
347

Ballast Type
EB - electronic
DIM__ - dimming*
EM__ - emergency*
*refer to Options p5 for DIM__ and EM__ options code

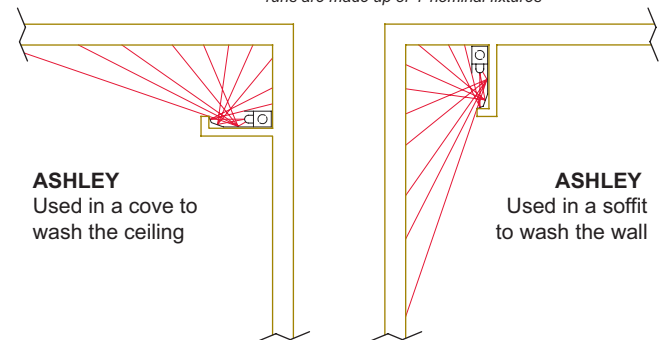
Length
T5
114 - 22 1/2"
121 - 34 3/8"
128 - 46 1/8"
T5HO
124 - 22 1/2"
139 - 34 3/8"
154 - 46 1/8"
R_ - run length

Options

runs are made up of 4' nominal fixtures



For a complete photometric report and IES file go to www.BirchwoodLighting.com or contact the factory



ASHLEY
Used in a cove to wash the ceiling

ASHLEY
Used in a soffit to wash the wall

Job Information

Type

Job Name

Location

BIRCHWOOD LIGHTING

714.550.7118 • fax 714.550.7151 • www.BirchwoodLighting.com

NOTE: Specifications and dimensions are subject to change without notice.





ASHLEY™

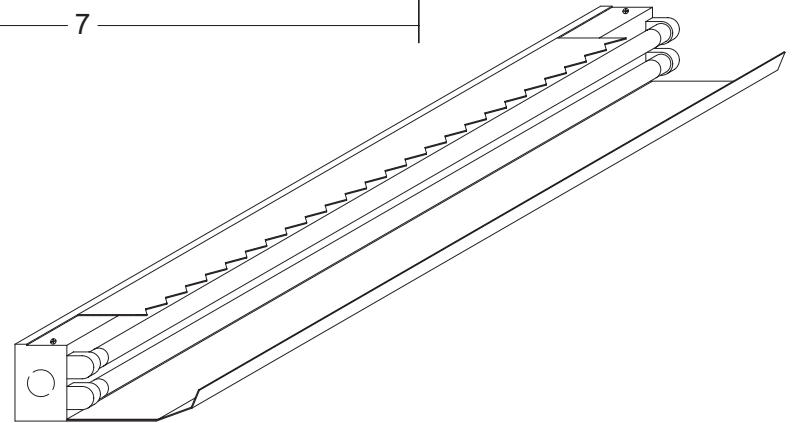
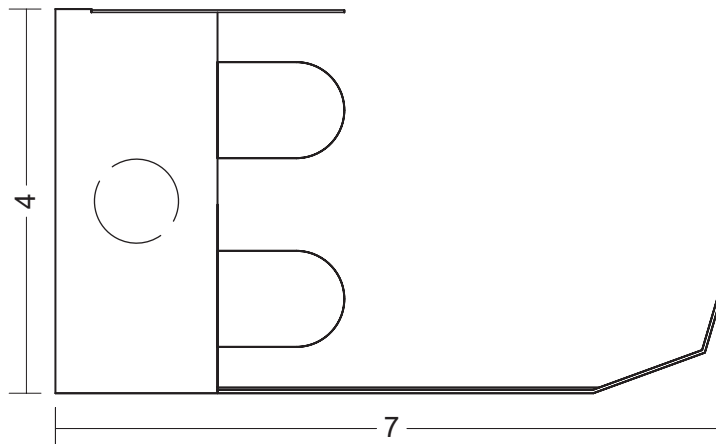
ASH-2T8

SHADOW FREE COVE

2T8 LINEAR LAMPS

- .050 aluminum construction
- combination of high reflectivity white and specular hammertone reflectors
- saw tooth deflector creates even light on the ceiling and in the cove
- double T8 fluorescent lamps, other lamp types available
- standard units are tandem wired, master/satellite configuration with built-in electronic ballasts
- refer to Options sect. for dimming and emergency ballast options
- UL and C-UL Listed for Dry and Damp Locations

see "How to Build an Effective Cove" section in this catalog or at www.BirchwoodLighting.com



ASH
Family

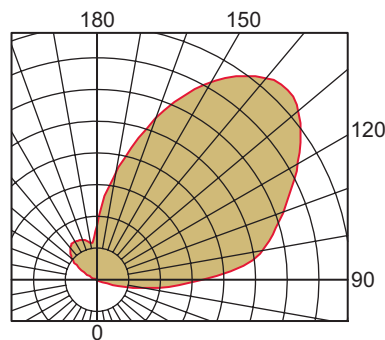
2T8
Lamp Type

Voltage
120
277
347

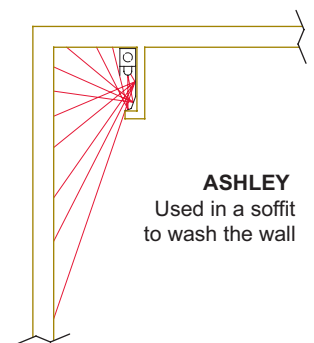
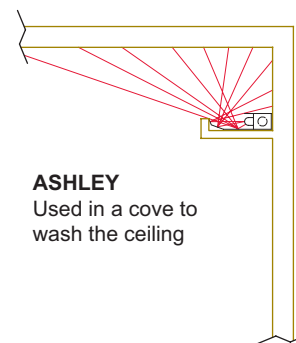
Ballast Type
EB - electronic
DIM__ - dimming*
EM__ - emergency*
*refer to Options p5 for DIM__ and EM__ options code

Length
117 - 24"
125 - 36"
132 - 48"
R_ - run length runs are made up of 4' nominal fixtures unless otherwise specified

Options



For a complete photometric report and IES file go to www.BirchwoodLighting.com or contact the factory



Job Information

Type

Job Name

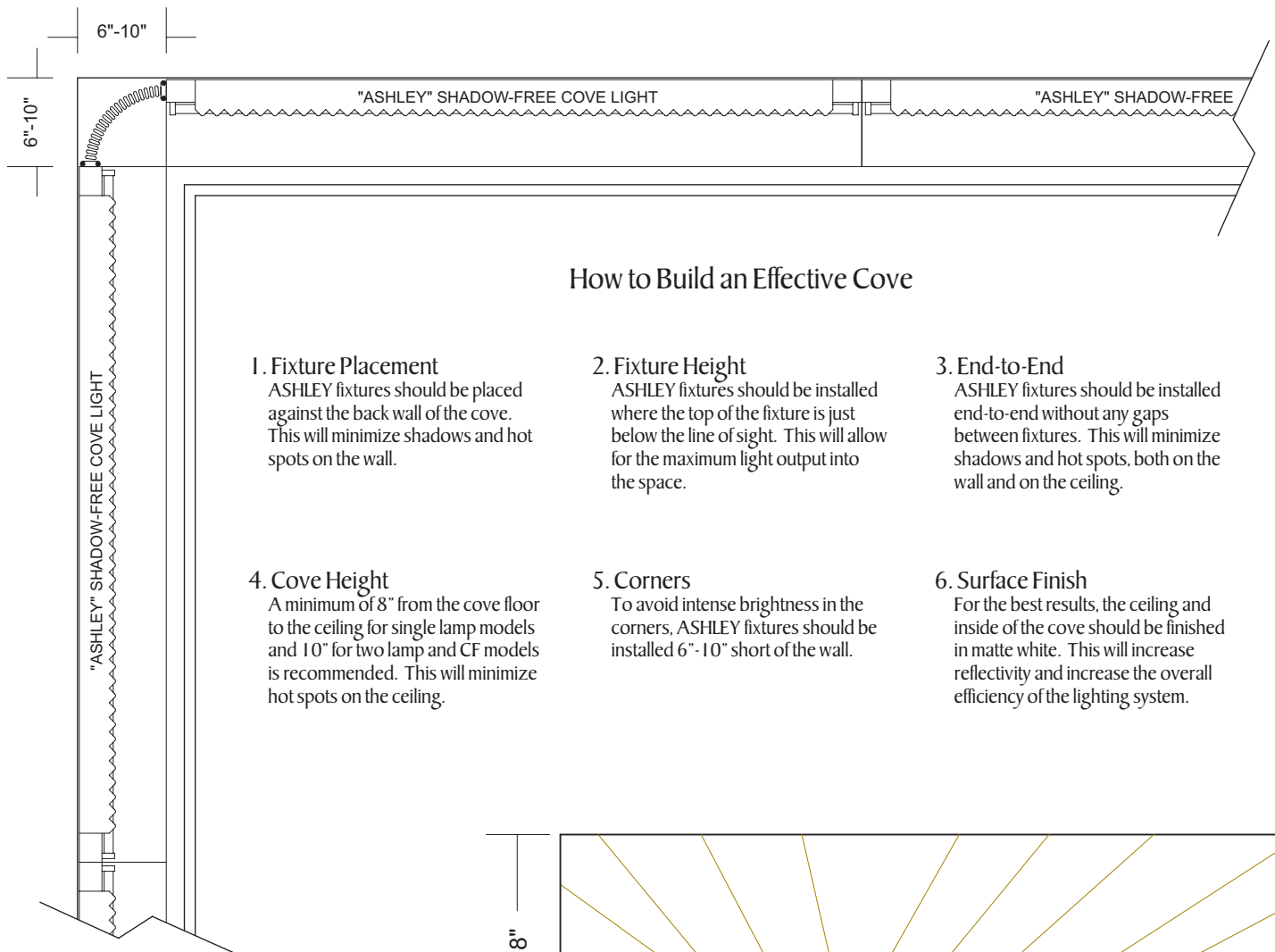
Location

BIRCHWOOD LIGHTING

714.550.7118 • fax 714.550.7151 • www.BirchwoodLighting.com

NOTE: Specifications and dimensions are subject to change without notice.





How to Build an Effective Cove

1. Fixture Placement
ASHLEY fixtures should be placed against the back wall of the cove. This will minimize shadows and hot spots on the wall.

2. Fixture Height
ASHLEY fixtures should be installed where the top of the fixture is just below the line of sight. This will allow for the maximum light output into the space.

3. End-to-End
ASHLEY fixtures should be installed end-to-end without any gaps between fixtures. This will minimize shadows and hot spots, both on the wall and on the ceiling.

4. Cove Height
A minimum of 8" from the cove floor to the ceiling for single lamp models and 10" for two lamp and CF models is recommended. This will minimize hot spots on the ceiling.

5. Corners
To avoid intense brightness in the corners, ASHLEY fixtures should be installed 6"-10" short of the wall.

6. Surface Finish
For the best results, the ceiling and inside of the cove should be finished in matte white. This will increase reflectivity and increase the overall efficiency of the lighting system.

