

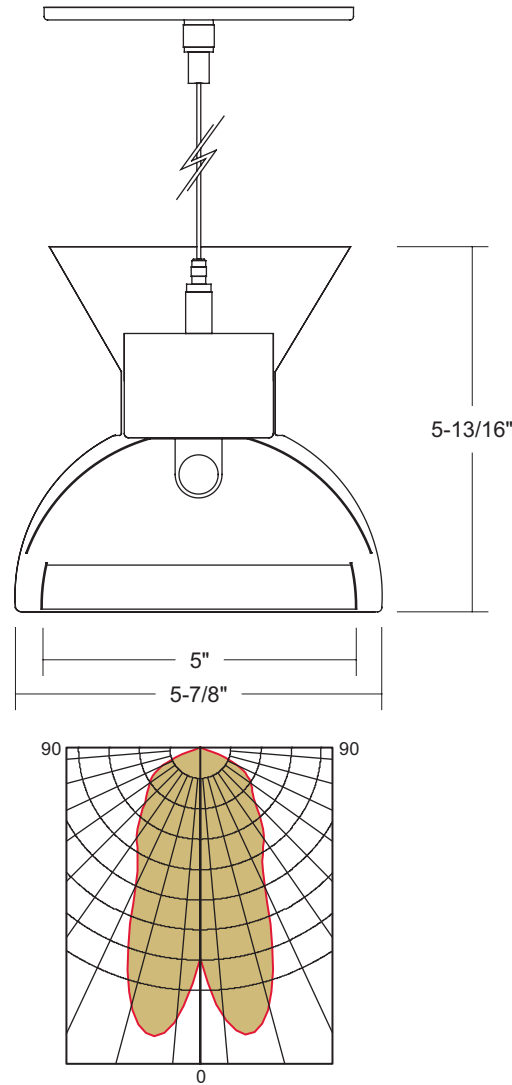
SPECIALTY

CLBS

STACK LIGHTING

1-lamp T5, T5HO or T8

- 20 gauge steel construction, ends are seamlessly welded in the factory to provide a finished look
also available in aluminum, add "AL" in "Options" space
- may be used as single units or together for longer runs using an aligned joining system
- 1-lamp T5, T5HO or T8 linear fluorescent lamp versions
- uses a highly-specular anodized parabolic aluminum baffle and interior reflector
- other options of baffles, louvers and lenses are available
- optional uplight component also available
- standard ballasts are integral electronic, consult Options p5 for available types of dimming and emergency ballasts
- fixtures are available in nominal lengths of 2, 3, 4, 5 and 8 feet
- standard finish is High Reflectivity White powder coat done post production, decorative Large Pattern Galvanize and other custom colors and finishes are also available
- UL and C-UL Listed for Dry and Damp Locations



For a complete photometric report and IES file go to www.BirchwoodLighting.com or contact the factory

Job Information
Type
Job Name
Location

CLBS

Model
CLBS

Lamp Type
T8 - T8
T5 - Standard T5
T5HO - T5 High Output

Voltage
120
277
347

Ballast
EB - electronic
DIM__ - dimming*
EM__ - emergency*
*refer to Options p5 for DIM__ and EM__ options code

Nominal Length
2'
3'
4'
5'
8'
R_ - run length runs are made up of 8' nominal fixtures unless otherwise specified

Options
UPLT - Uplight Component

Finish
HRW - High Reflectivity White
SCA - Satin Clear Aluminum
LPG - Large Pattern Galvanize
CU - Custom (please specify)

BIRCHWOOD LIGHTING

714.550.7118 • fax 714.550.7151 • www.BirchwoodLighting.com

NOTE: Specifications and dimensions are subject to change without notice.

