

Exciting, colorful visual effects are now easy to achieve using the JASON Color Changing Fluorescent system. This compact sized fixture packs a punch with as much as 3,750 lumens per foot. Jason uses T5 or T5HO fluorescent lamps, which have a rated life of 20,000 hours.

RGB Color Mixing

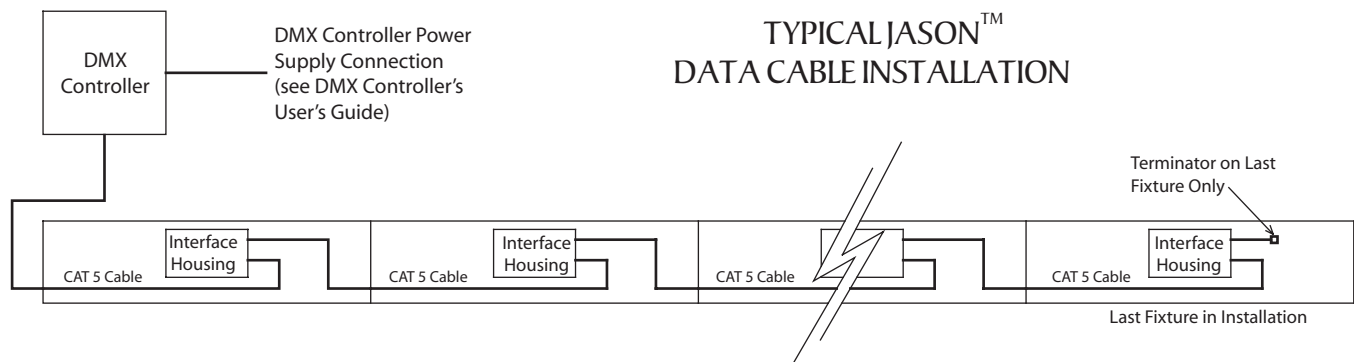
Infinite color control is achieved through mixing red, green and blue T5 or T5HO fluorescent lamps. JASON 3 mixes red, green and blue to achieve different colors, while JASON 4 adds a white lamp for even more versatility. To achieve more intense, saturated colors, colored lamp sleeves are available with either colored or white lamps.

DMX Controlled

The on-board interface may be run two different ways. First, there are several pre-programmed fixed and color changing modes that may be run by simply putting the dip switch, located on the fixture, to the appropriate settings. Second, custom programs can be run using any approved DMX controller. It is very simple to program colors, change times, cross fades, chases, rainbows, random colors and many other effects.

Simple Installation

When using the standard pre-programmed modes, Jason is simply installed like any other luminaire. Just set the dip switches to the desired program, bring in line voltage and power up the fixtures. When using a separate controller, just run CAT 5 cable from the controller to the first Jason fixture. For multiple unit runs, fixtures are installed end-to-end and connected together just like standard fluorescent fixtures. The only difference is that a standard CAT 5 cable is run between fixtures. The necessary CAT 5 cable is provided by the factory.



LAMP INFORMATION

LAMP TYPE (NEMA)	INITIAL LUMENS PER LAMP	AVERAGE RATED LIFE
FP28/RED	2100	20,000 hrs.
FP28/GREEN	3500	20,000 hrs.
FP28/BLUE	700	20,000 hrs.
FP54/RED/HO	3300	20,000 hrs.
FP54/GREEN/HO	5550	20,000 hrs.
FP54/BLUE/HO	1150	20,000 hrs.

